



DESCRIPTION

A timeless and elegant daybed with simple forms finished to the very highest standards. The seat is made of hand-woven stretched cotton webbing attached to a wooden frame. Available upholstered in fabric or leather. Not turnable. Designed by Ole Wanscher.

ENVIRONMENTAL INFORMATION

Carl Hansen & Søn and sustainability

People's fascination of the combination of good design and wood, as well as other natural materials, is something that transcends time and fashion. At Carl Hansen & Søn, we believe that this fascination helps to explain the great interest in our furniture, and we take very seriously concerns about the sustainability of the natural resources upon which we depend for our products. That is why we strive every day to improve our production methods, logistics and sales efforts in respect of scarce natural resources.

We buy wood only from sustainably managed forests. Oak, beech and ash come primarily from Danish forests which are managed according to the principles described in Denmark's National Forest Programme; some of these wood types are also sourced from other similarly managed European forests, or, in the case of walnut and cherry, North American forests.

We use every possible bit of these fine hardwoods in our furniture production. Inevitably, however, there are some scraps, which are then used to produce other products or recycled in district heating plants.

CONTACT INFORMATION

Europe:

Carl Hansen & Søn Møbelfabrik A/S
Holmevænget 8
5560 Aarup
Denmark

Tel: +45 66 12 14 04

Fax: +45 65 91 60 04

Mail: Info@carlhansen.com

Showroom Copenhagen

Carl Hansen & Søn A/S

North America

Carl Hansen & Son Inc.
462 Wellington St., West
Suite 502
Toronto, ON M5V 1E3
Canada

Carl Hansen & Son Corp

304 Hudson Street
3rd Floor
New York, NY 10013
USA

THE DESIGNER

Ole Wanscher (1903-1985), was born in Copenhagen in 1903 and was an architect and professor of architecture with furniture designs as his specialty. He came to shape Danish furniture, both as an active designer and as a master teacher. His furniture designs are now considered to be modern classics - sophisticated and functional with an exquisite attention to detail.

Construction and form was of the utmost importance to Ole Wanscher, treating furniture design as if it was a branch of architecture. He studied under Kaare Klint at the Royal Danish Academy of Fine Arts and also worked for the master himself from 1924-1927, before becoming an independent architect specializing in furniture design. He later followed in Kaare Klint's footsteps as a professor at The Royal Danish Academy of Fine Arts with a master in furniture design.

In 1958, the Danish newspaper Politiken wrote the following about the outstanding quality and spirit of Ole Wanscher's products: 'Owning a Wanscher-chair is an adventure every day, and will be so even several hundred years from now, for this is how long it lasts.'

Ole Wanscher created his best known products primarily in the period between the late forties and early sixties. He took great interest in industrially produced high quality furniture and designed several pieces with this particular aspect in mind. It was the familiar philosophy of 'design for everyone'. However, his finest work was made in close collaboration with renowned master cabinetmakers.

Furthermore, while traveling through Egypt and Europe, Ole Wanscher studied furniture design. He embraced these impressions, was inspired by them and brought to them his very own sensibility. He also authored several books, including "The History of the Arts of Furniture" and "Five Thousand Years of Furniture".

Characteristic of Ole Wanscher's design is a quest for slim dimensions and resilient forms. His chairs often employ both slender and slightly curved armrests, which rise in an elegant tip before continuing directly to the floor; as is the case with his well known 'Colonial Chair'. Classic and yet singularly modern at the same time.

Carl Jacobsen Vej 16
2500 Valby

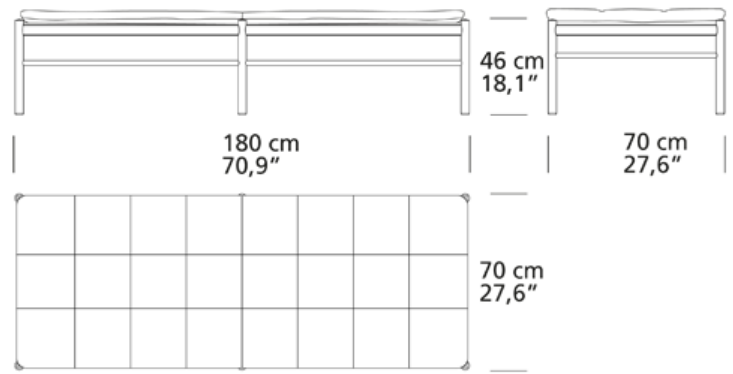
Fax: +1 (416) 572-4073
Mail: northamerica@carlhansen.com

Rud. Rasmussen
Nørrebrogade 45
2200 Copenhagen N

Asia/Pacific
Carl Hansen & Son Japan K.K.
Kojimachi Duplex B's 10F
4-4-7 Kojimachi Chiyoda-ku,
102-0083 Tokyo
Japan

Tel: +81 03 3265 4626
Fax: +81 03 3265 4627
Mail: Info@carlhansen.jp

VARIANTS CHOICES AND DIMENSIONS



MATERIAL MATRIX

	Soap	White oil	Oil
Oak	●	●	●

TESTS AND CERTIFICATIONS

All tests and certificates are available on request.