

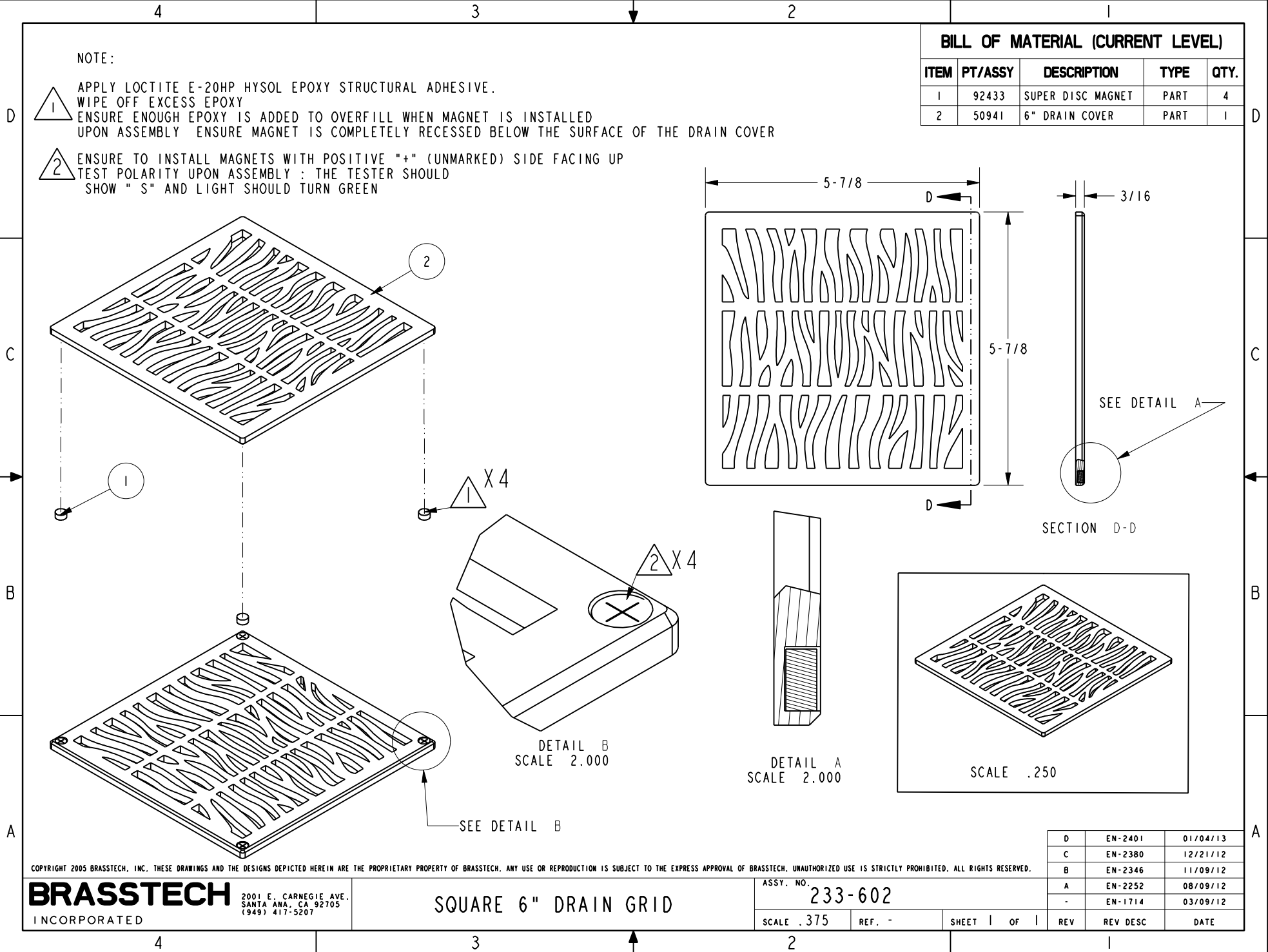
**BILL OF MATERIAL (CURRENT LEVEL)**

ITEM	PT/ASSY	DESCRIPTION	TYPE	QTY.
1	92433	SUPER DISC MAGNET	PART	4
2	50941	6" DRAIN COVER	PART	1

**NOTE:**

1 APPLY LOCTITE E-20HP HYSOL EPOXY STRUCTURAL ADHESIVE.  
 WIPE OFF EXCESS EPOXY  
 ENSURE ENOUGH EPOXY IS ADDED TO OVERFILL WHEN MAGNET IS INSTALLED  
 UPON ASSEMBLY ENSURE MAGNET IS COMPLETELY RECESSED BELOW THE SURFACE OF THE DRAIN COVER

2 ENSURE TO INSTALL MAGNETS WITH POSITIVE "+" (UNMARKED) SIDE FACING UP  
 TEST POLARITY UPON ASSEMBLY : THE TESTER SHOULD  
 SHOW " S" AND LIGHT SHOULD TURN GREEN



COPYRIGHT 2005 BRASSTECH, INC. THESE DRAWINGS AND THE DESIGNS DEPICTED HEREIN ARE THE PROPRIETARY PROPERTY OF BRASSTECH. ANY USE OR REPRODUCTION IS SUBJECT TO THE EXPRESS APPROVAL OF BRASSTECH. UNAUTHORIZED USE IS STRICTLY PROHIBITED. ALL RIGHTS RESERVED.

**BRASSTECH**  
 INCORPORATED  
 2001 E. CARNEGIE AVE.  
 SANTA ANA, CA 92705  
 (949) 417-5207

**SQUARE 6" DRAIN GRID**

ASSY. NO. **233-602**

SCALE .375 REF. - SHEET | OF | REV REV DESC DATE

D	EN-2401	01/04/13
C	EN-2380	12/21/12
B	EN-2346	11/09/12
A	EN-2252	08/09/12
-	EN-1714	03/09/12