

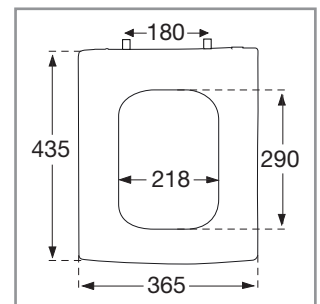
Toilet seat Memento

Model

9M17 S1 Memento toilet seat with Soft Closing and Quick Release, incl. 9222 24 61 fixed hinge

Product Description

Memento toilet seat in Wrap Over design made of colour in-grained duroplast with hinge in stainless steel and plastic
 – incl. fixed hinge with Quick Release in stainless steel and plastic
 – centre distance: 180 mm
 – load of ring seat: 240 kg
 – 10 year guarantee



Colour Programme

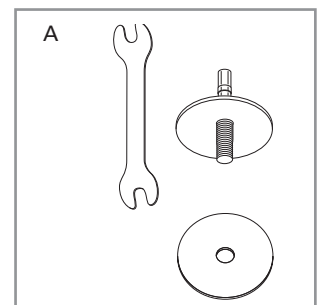
01 White (Alpin)
 R2 Star White
 S0 Black

Hinge Finish

61 Stainless steel

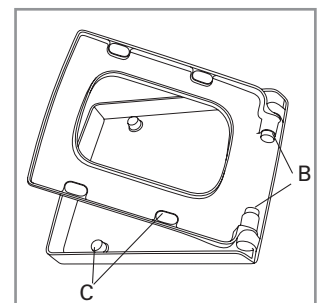
Spare Parts

A) 9222 24 61 Fixed hinge with Quick Release
 B) 9220 14 00 Soft Closing packet
 C) 9222 29 00 Buffers for seat and cover



Cleaning Instructions

Use a mild soap solution. Seat and hinge should not be left damp, but be dried with a soft cloth. When using abrasive, corrosive or chlorine based cleaners for the bowl, avoid contact with seat and hinge as it may lead to damages or flash rust. Therefore, when cleaning the bowl, make sure that seat and cover are in an upright position until all the cleaner has been flushed away

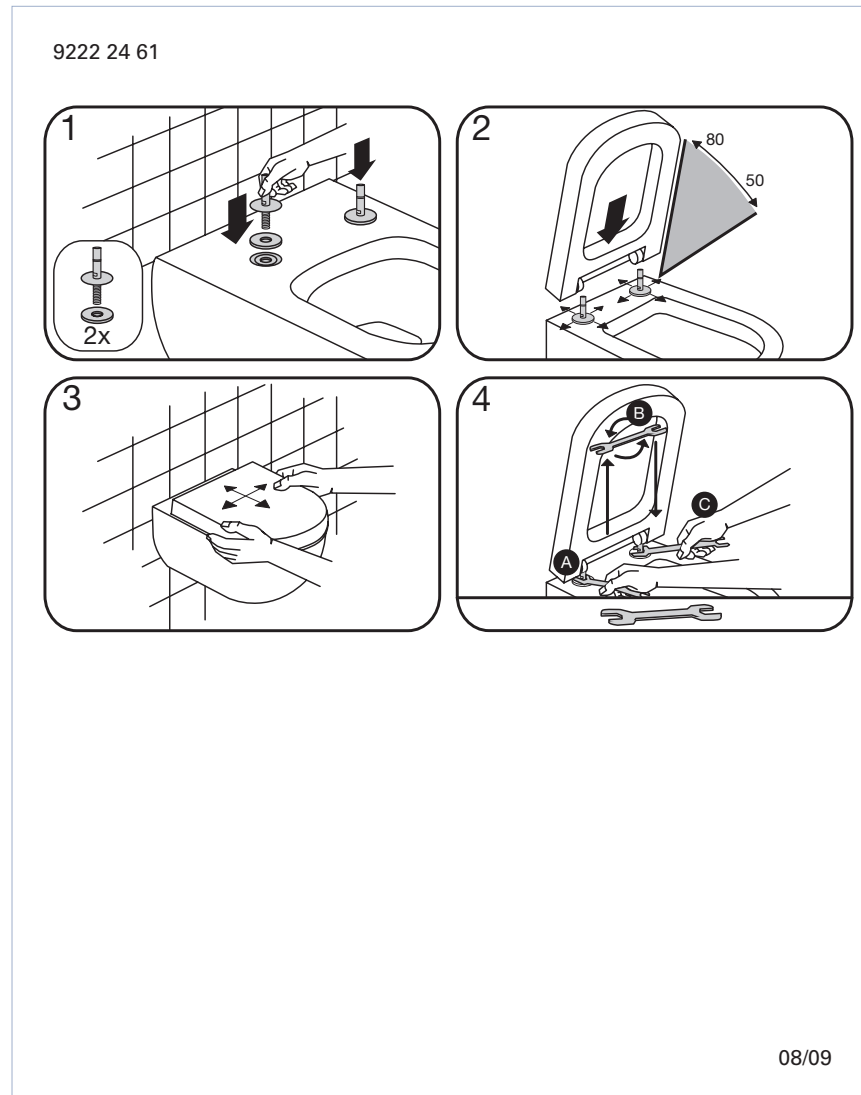


Villeroy & Boch

1748

Toilet seat Memento

Instruction manual



[Click here for video](#)

Material Description

TOILET SEAT: The material is colour ingrained duroplast (UF A 10 = urea formaldehyde) that contains no environmentally hazardous substances. The body consists of approx. 50% urea (NH_2CONH_2), approx. 25% cellulose and approx. 25% formaldehyde (HCHO), as well as small amounts of various fillers and additives

BUFFERS: EVA (copolymer made of ethylene and vinyl acetate)

DAMPER KIT: Hydraulic damper with stainless steel damper casing and plastic parts
Damper liquid: Anti-friction liquid

MOUNT/HINGE: Stainless steel

Guarantee

The guarantee includes faults or defects in the material of our products within a period of 10 years. Products subject to minor technical modifications and design deviations E. & O.E.