



CODA COLLECTION
SPECIFICATION GUIDE & LIST PRICES

08.15.12

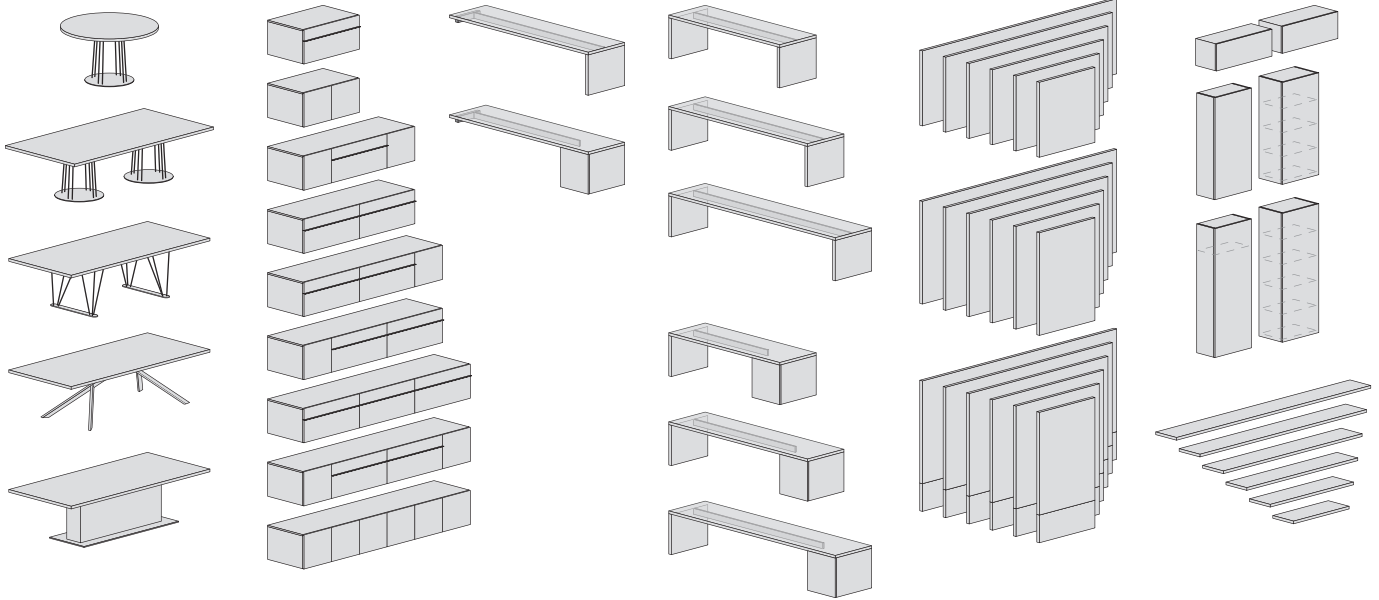
TUOHY

CODA COLLECTION

Design: Jess Sorel, Sorel Studio

TYPICALS	94
PLINTH-TABLES	96
VEE-TABLES	96
WIRE-TABLES	96
X-TABLES	96
RUNOFFS	97
BRIDGES	97
CREDENZAS	98
WALL PANELS	100
WALL PANEL SHELVES	100
WALL PANEL CABINETS	101
WALL-HUNG STORAGE	101

STATEMENT OF LINE



Tables

Base Formats:
Wire, Vee, X and Plinth

Sizes:
72w 36d, 80w 36d,
80w 42d, and 40 diam
on Wire base only.

Top Materials:
All Tuohy Wood1 and
Wood2 natural veneers
and solid colors; natural
and synthetic stone;
Corian®, back-painted
glass; acid-etched
glass.

Plinth Base Materials:
All Tuohy Wood1 and
Wood2 natural veneers
and solid colors;

Base Materials:
All bases are steel with
an MRBS Resin
Brushed Steel finish;
Vee, X and Plinth bases
also available in
Polished Chrome.

Credenzas

Storage Types:
Hinged Cabinets,
Box/File Drawers.

Sizes: Depth is 21d
unfinished back and
21.8d finished back.
Height is 16.5 inches.
Widths are 32w, 48w,
64w, 80w, and 96w.

Drawer Construction:
Five-sided drawers
solid wood boxes with
exposed English
dovetails; plywood
bottoms are dadoed
into the box walls.

Materials:
All Tuohy Wood1 and
Wood2 natural veneers
and solid colors;

Pull Hardware:
Blade style pulls with
MRBS Resin Brushed
Steel finish.

Bridges and Runoffs

Formats:
Available with panel
ends and/or a
swing-door cabinet.

Sizes: Depth is 21d
unfinished back and
21.8d finished back.
Height is 16.5 inches.
Widths are 80w on
Bridges and 64w, 80w,
and 96w on Runoffs.

Materials:
All Tuohy Wood1 and
Wood2 natural veneers
and solid colors. Bridge
End Mounts have an
MRBS Resin Brushed
Steel finish; under-top
supports are black.

Wall Panels

Panel Types:
All panels are wall-hung
at either 6 inches or
21.4 inches above the
floor line, and may
receive overhead
storage or shelving.

Sizes: All panels are
1.5 inches thick and
available at two
mounted heights—
63 and 79 inches
(nominal).

Wall & Panel Storage

Formats:
Overhead Cabinet
(wall-mounted and
panel-mounted
versions); wall-mounted
wardrobe cabinets;
wall-mounted cabinets
with shelves; and
panel-mounted fixed
shelves.

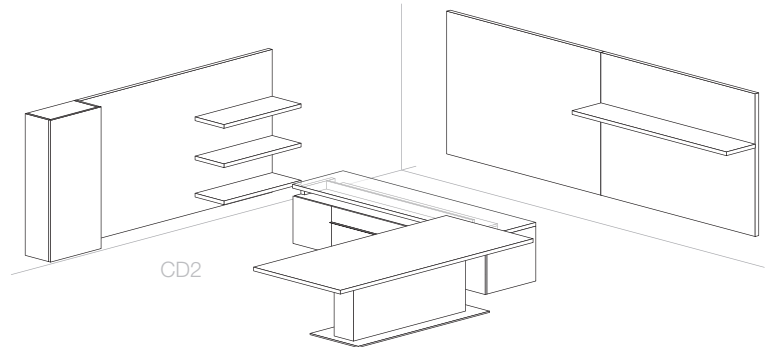
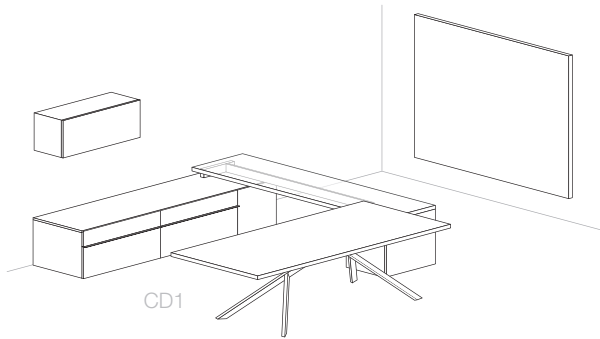
Materials:
All Tuohy Wood1 and
Wood2 natural veneers
and solid colors;

CD1

TAG	DESCRIPTION	SPEC	PRODUCT NO.	PRICE	QTY	EXTENDED
1	Coda-X Table 80w 36d	Wood1 Top, MRBS Base	QAXR8036	2728	1	2728
2	Bridge CredAttach-SwCab LH	Wood1, 80w 21.75d 24h, finished back	QESFL80	2255	1	2255
3	Credenza: B/F-B/F-Cab	Wood1, 80w 21d 19.5h, unfinished back	QF22RU	4169	1	4169
4	Wall-Hung Cabinet/Lift Door	Wood1, 32w 13.5d 15.4h	QWXX	1748	1	1748
5	WallPanel/Full 63h	Wood1, 64w	QWP63F64	1467	1	1467

TOTAL LIST PRICE: \$12367

Option HGF dwr/dr fronts: add \$800 to TOTAL.

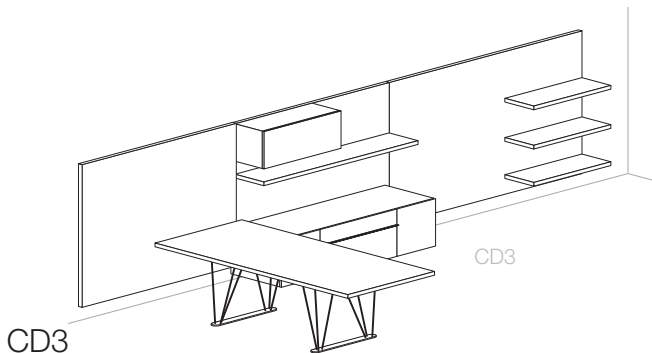


CD2

TAG	DESCRIPTION	SPEC	PRODUCT NO.	PRICE	QTY	EXTENDED
1	Coda-Plinth Table 80w 36d	Wood1 Top and Plinth, MRBS Base Plate	QAPR8036	2867	1	2867
2	Bridge CredAttach-SwCab LH	Wood1, 80w 21.75d 24h, finished back	QESFL80	2255	1	2255
3	Credenza: Cab-B/F-Cab	Wood1, 64w 21.75d 19.5h, finished back	QFL2RF	4293	1	4293
4	Wall-Hung Garment 63 LH	Wood1	QWXG4	2078	1	2078
5	WallPanel/Full 80w 63h	Wood1, shelving at 32-42.3-R, 32-28.4-R, 32-14.4-R	QWP63F80	1837	1	1837
6	Wall Panel Shelves 32w	Wood1, 32w 11.75d 1.5th (for panel at Tag 5)	QWS32	755	3	2265
7	WallPanel/Full 64w 63h, 1 of 2	Wood1	QWP63F64	1467	1	1467
8	WallPanel/Full 64w 63h, 2 of 2	Wood1, shelving at 64-42.3-R	QWP63F64	1467	1	1467
9	Wall Panel Shelf 64w	Wood1, 64w 11.75d 1.5th (for panel at Tag 8)	QWS64	907	1	907

TOTAL LIST PRICE: \$19436

Option HGF dwr/dr fronts: add \$1415 to TOTAL.



CD3

TAG	DESCRIPTION	SPEC	PRODUCT NO.	PRICE	QTY	EXTENDED
1	Coda-V Table 80w 36d	Wood1 top, MRBS base	QAVR8036	2311	1	2311
2	WallPanel/Full 64w 63h, 1 of 2	Wood1	QWP63F64	1467	1	1467
3	WallPanel/Full 64w 63h, 2 of 2	Wood1, shelving at 64-42.3-R	QWP63F64	1467	1	1467
4	Wall Panel Shelf 64w	Wood1, 64w 11.75d 1.5th (for panel at Tag 3)	QWS64	907	1	907
5	WallPanel/Full 80w 63h	Wood1, shelving at 32-42.3-R, 32-28.4-R, 32-14.4-R	QWP63F80	1837	1	1837
6	Wall Panel Shelves 32w	Wood1, 32w 11.75d 1.5th (for panel at Tag 5)	QWS32	755	3	2265
7	Credenza: Cab-B/F-Cab	Wood1, 64w 21.75d 19.5h, unfinished back	QFL2RU	3678	1	3678

TOTAL LIST PRICE: \$13932

Option HGF dwr/dr fronts: add \$700 to TOTAL.

Specify: Product Number
Quantity
Tagging
Wood Finish
Hardware Finish

Prices listed in Wood1 Finishes.

TUOHY

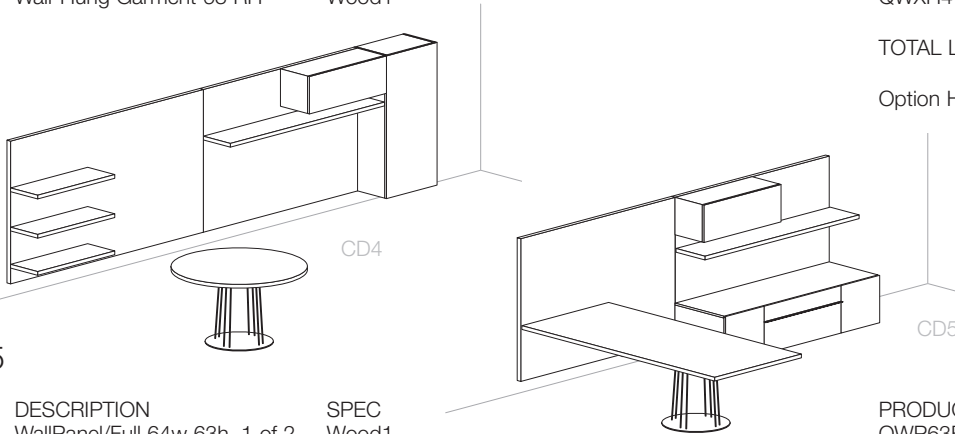
CD4

TAG	DESCRIPTION	SPEC
1	Coda-Wire Table 40 diam	Wood1 top, MRBS base
2	WallPanel/Full 80w 63h, 1 of 2	Wood1, shelving at 32-42.3-L, 32-28.4-L, 32-14.4-L
3	Wall Panel Shelves 32w	Wood1, 32w 11.75d 1.5th (for panel at Tag 2)
4	WallPanel/Full 64w 63h, 2 of 2	Wood1, shelving at 64-42.3-R
5	Wall Panel Shelf 64w	Wood1, 64w 11.75d 1.5th (for panel at Tag 4)
6	Wall Panel Cabinet/Lift Door	Wood1, 32w 11.25d 15.4h (align right on panel at Tag 4)
7	Wall-Hung Garment 63 RH	Wood1

PRODUCT NO.	PRICE	QTY	EXTENDED
QAWR40	2957	1	2957
QWP63F80	1837	1	1837
QWS32	755	3	2265
QWP63F64	1467	1	1467
QWS64	907	1	907
QWXW	1681	1	1681
QWXH4	2078	1	2078

TOTAL LIST PRICE: \$13192

Option HGF dwr/dr fronts: add \$865 to TOTAL.



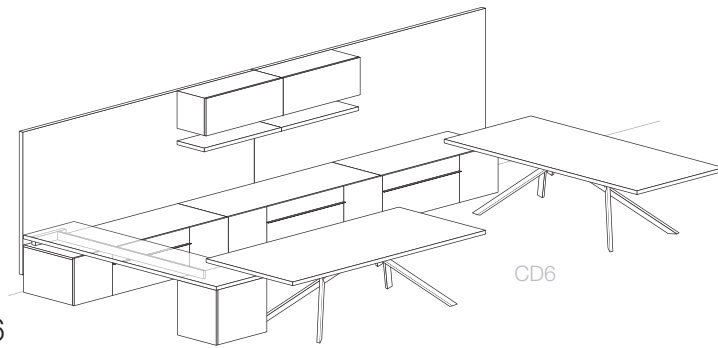
CD5

TAG	DESCRIPTION	SPEC
1	WallPanel/Full 64w 63h, 1 of 2	Wood1
2	Coda-Wire Table-to-Pnl 72w 36d	Wood1 top, MRBS base (align left on panel at Tag 1)
3	WallPanel/Full 64w 63h, 2 of 2	Wood1, shelving at 64-42.3-R
4	Wall Panel Shelf 64w	Wood1, 64w 11.75d 1.5th (for panel at Tag 3)
5	Wall Panel Cabinet/Lift Door	Wood1, 32w 11.25d 15.4h (align left on panel at Tag 3)
6	Credenza: Cab-B/F-Cab	Wood1, 64w 21.75d 19.5h, unfinished back

PRODUCT NO.	PRICE	QTY	EXTENDED
QWP63F64	1467	1	1467
QAWRP7236	3093	1	3093
QWP63F64	1467	1	1467
QWS64	907	1	907
QWXW	1681	1	1681
QFL2RU	3678	1	3678

TOTAL LIST PRICE: \$12293

Option HGF dwr/dr fronts: add \$700 to TOTAL.



CD6

TAG	DESCRIPTION	SPEC
1	Coda-X Table 80w 36d	Wood1 top, MRBS base
2	Bridge SwCab-CredAttach RH	Wood1, 21.75d 24h, finished back
3	Credenza: Cab-B/F-Cab, 1 of 3	Wood1, 64w 21.75d 19.5h, unfinished back
4	Credenza: Cab-B/F-Cab, 2 of 3	Wood1, 64w 21.75d 19.5h, unfinished back
5	Credenza: B/F-Cab, 3 of 3	Wood1, 48w 21.75d 19.5h, unfinished back
6	WallPanel/Full 96w 63h, 1 of 2	Wood1, shelving at 32-42.3-R
7	Wall Panel Cabinet/Lift Door	Wood1, 32w 11.25d 15.4h (align right on panel at Tag 6)
8	Wall Panel Shelves 32w	Wood1, 32w 11.75d 1.5th (for panel at Tag 6)
9	WallPanel/Full 96w 63h, 2 of 2	Wood1, shelving at 32-42.3-L
10	Wall Panel Cabinet/Lift Door	Wood1, 32w 11.25d 15.4h (align left on panel at Tag 9)
11	Wall Panel Shelves 32w	Wood1, 32w 11.75d 1.5th (for panel at Tag 9)

PRODUCT NO.	PRICE	QTY	EXTENDED
QAXR8036	2728	2	5456
QESFR80	2255	1	2255
QFL2RU	3678	1	3678
QFL2RU	3678	1	3678
QFM	2782	1	2782
QWP63F96	2030	1	2030
QWXW	1681	1	1681
QWS32	755	1	755
QWP63F96	2030	1	2030
QWXW	1681	1	1681
QWS32	755	1	755

TOTAL LIST PRICE: \$26781

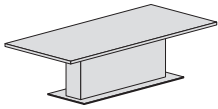
Option HGF dwr/dr fronts: add \$1500 to TOTAL.



Specify: Product Number
Quantity
Tagging
Wood Finish
Hardware Finish

Prices listed in Wood1 Finishes.

Plinth-Tables



	Product No.	List \$	Product No.	List \$	
Wood1 Top and Plinth ‡	w	d	29.9h	MRBS Base Plate	PolChrome Base Plate
Coda-Plinth Table 72w 36d	72	36		QAPR7236 2744	QAPC7236 3670
• Coda-Plinth Table 80w 36d	80	36		QAPR8036 2867	QAPC8036 3793
Coda-Plinth Table 80w 40d	80	40		QAPR8040 2904	QAPC8040 3830

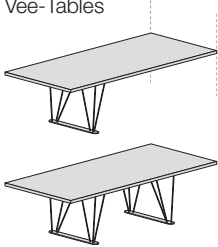
! Notes:

Tops are 1.5-in thick with square-cut edges.
Base Plate finishes are MRBS Resin Brushed Steel and Polished Chrome, as listed above.

+ Options:

Stone tops are available on a project basis; inquire with Customer Service.

Vee-Tables



	Product No.	List \$	Product No.	List \$	
Wood1 Top, Single Base ‡	w	d	29.9h	MRBS Base	PolChrome Base
Coda-V Table-to-Panel 72w 36d	72	36		QAVRP7236 1647	QAVCP7236 1925
Wood1 Top, Double Base ‡	w	d	29.9h	MRBS Base	PolChrome Base
Coda-V Table 72w 36d	72	36		QAVR7236 2249	QAVC7236 2805
• Coda-V Table 80w 36d	80	36		QAVR8036 2311	QAVC8036 2867
Coda-V Table 80w 40d	80	40		QAVR8040 2349	QAVC8040 2922

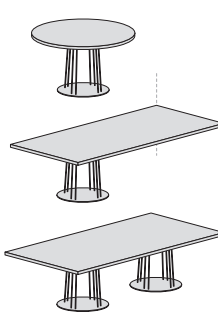
! Notes:

Tops are 1.5-in thick with square-cut edges.
Base finishes are MRBS Resin Brushed Steel and Polished Chrome, as listed above.

+ Options:

Stone tops are available on a project basis inquire with Customer Service.

Wire-Tables



	Product No.	List \$	Product No.	List \$	
Wood1 Top, Single Base ‡	w	d	29.9h	MRBS Base	
• Coda-Wire Table 40 diam	40	diam		QAWR40 2957	
Coda-Wire Table-to-Panel 72w 36d	72	36		QAWRP7236 3093	
Wood1 Top, Double Base ‡	w	d	29.9h	MRBS Base	
Coda-Wire Table 72w 36d	72	36		QAWR7236 5130	
• Coda-Wire Table 80w 36d	80	36		QAWR8036 5178	
Coda-Wire Table 80w 40d	80	40		QAWR8040 5237	

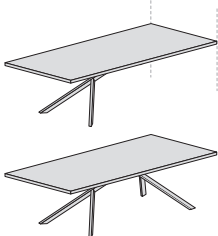
! Notes:

Tops are 1.5-in thick with square-cut edges.
Base finish is MRBS Resin Brushed Steel.

+ Options:

Stone tops are available on a project basis inquire with Customer Service.

X-Tables



	Product No.	List \$	Product No.	List \$	
Wood1 Top, Single Base ‡	w	d	29.9h	MRBS Base	PolChrome Base
Coda-X Table-to-Panel 72w 36d	72	36		QAXRP7236 1870	QAXCP7236 2204
Wood1 Top, Double Base ‡	w	d	29.9h	MRBS Base	PolChrome Base
Coda-X Table 72w 36d	72	36		QAXR7236 2685	QAXC7236 3352
• Coda-X Table 80w 36d	80	36		QAXR8036 2728	QAXC8036 3395
Coda-X Table 80w 40d	80	40		QAXR8040 2775	QAXC8040 3441

! Notes:

Tops are 1.5-in thick with square-cut edges.
Base finishes are MRBS Resin Brushed Steel and Polished Chrome, as listed above.

+ Options:

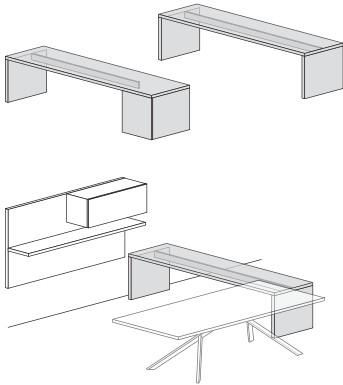
Stone tops are available on a project basis inquire with Customer Service.

Specify: Product Number
Quantity
Tagging
Wood Finish
Hardware Finish

• Denotes item illustrated.
- Includes locks.
‡ Requires field sub-assembly.

Prices listed in Wood1 Finishes.

Runoffs



	ProdNo.	List \$	ProdNo.	List \$	+ List\$
Wood1 Panel-Panel ‡ w 21d* 24h	Non-Handed				
• Runoff Panel-Panel 64w	QDP64	1361			
• Runoff Panel-Panel 80w	QDP80	1574			
Wood1 Panel-SwingCabinet ‡ w 21d* 24h	Unfinished Back Finished Back* Opt HGF				
• Runoff Panel-SwCab 64w LH	QDSUL64	2134	QDSFL64	2294	+150
Runoff SwCab-Panel 64w RH	QDSUR64	2134	QDSFR64	2294	+150
Runoff Panel-SwCab 80w LH	QDSUL80	2197	QDSFL80	2359	+150
Runoff SwCab-Panel 80w RH	QDSUR80	2197	QDSFR80	2359	+150
Runoff Panel-SwCab 96w LH	QDSUL96	2259	QDSFL96	2423	+150
Runoff SwCab-Panel 96w RH	QDSUR96	2259	QDSFR96	2423	+150

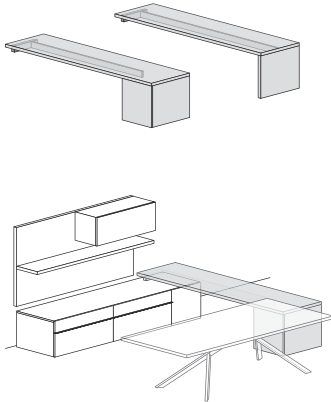
! Notes:

Tops are 1.5-in thick with square-cut edges.
*Depth increases to 21.75-in on Finished Back units.

+ Options:

For High Gloss Solid Color drawer/door faces, specify Option HGF and add the \$ shown at far right.

Bridges



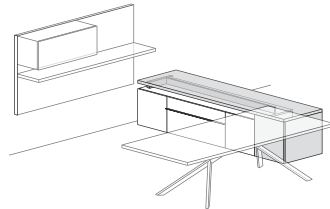
	ProdNo.	List \$	ProdNo.	List \$	+ List\$
Wood1 Panel End ‡ 80w 21d* 24h	Non-Handed				
• Bridge Panel End	QEP80	1460			
Wood1 SwingCabinet End ‡ 80w 21d* 24h	Unfinished Back Finished Back* Opt HGF				
• Bridge CredAttach-SwCab LH	QESUL80	2208	QESFL80	2255	+150
Bridge SwCab-CredAttach RH	QESUR80	2208	QESFR80	2255	+150

! Notes:

Tops are 1.5-in thick with square-cut edges.
*Depth increases to 21.75-in on Finished Back units.
Handedness is determined by the credenza connection end.
Bridges may be used with a credenza in-line, to function as a runoff.

+ Options:

For High Gloss Solid Color drawer/door faces, specify Option HGF and add the \$ shown at far right.

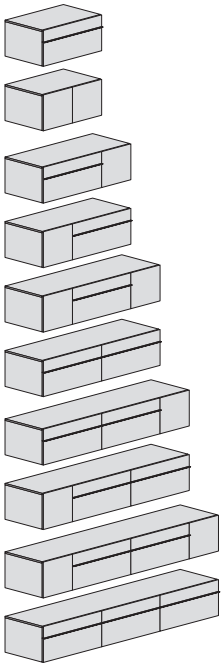


Specify: Product Number
Quantity
Tagging
Wood Finish
Hardware Finish

• Denotes item illustrated.
- Includes locks.
‡ Requires field sub-assembly.

Prices listed in Wood1 Finishes.

Credenzas



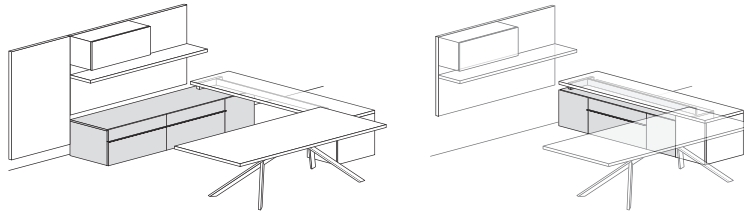
	ProdNo.	List \$	ProdNo.	List \$	+ List\$
Wood1 Finished Ends/Top ↯ w 21d * 19.5h			Unfinished Back	Finished Back*	Opt HGF
Credenza: B/F	32	2023	QF2U	2650	+250
Credenza: DblCab	32	2032	QFNU	2881	+250
Credenza: B/F-Cab	48	2782	QF2RU	3348	+400
Credenza: Cab-B/F	48	2782	QFL2U	3348	+400
Credenza: Cab-B/F-Cab	64	3678	QFL2RU	4293	+550
Credenza: B/F-B/F	64	3511	QF22U	4126	+500
Credenza: B/F-B/F-Cab	80	4169	QF22RU	4965	+650
Credenza: Cab-B/F-B/F	80	4169	QFL22U	4965	+650
Credenza: Cab-B/F-B/F-Cab	96	4840	QFL22RU	5684	+800
Credenza: B/F-B/F-B/F	96	4674	QF222U	5518	+750

! Notes:

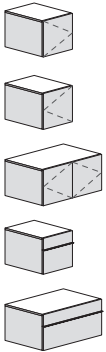
All door and drawer sets have a shaped top edge/pull.
Box/File (B/F) pedestals have a continuous blade pull on the lower drawer; finish is MBN Brushed Nickel.
*Depth increases to 21.75-in on Finished Back units.
Veneer direction is horizontal. Vertical grain available on request.

+ Options:

Face Locks are included on all drawer and door pedestals. For no locks, specify Option NL.
For High Gloss Solid Color drawer/door faces, specify Option HGF and add the \$ shown at far right.



Modular Credenza Storage



Wood1 ↯	w	21d	19.5h	Unfinished Sides/Back	
Credenza Storage Modules				QFM	0
				Spec Code	↑
Cabinet LH	16			CL16	1443
Cabinet RH	16			CR16	1443
Double Cabinet	32			C32	1805
Box/File 16w	16			R16	1569
Box/File 32w	32			R32	1902
					Opt HGF
					+150
					+150
					+250
					+150
					+250

! Notes:

To order, specify the item number listed at top, then list the Spec Codes in L to R order in your description.
The total price is the sum of the prices for the Spec Codes you itemized.
Tops must be ordered separately and are flush to the pedestal front and back.
All door and drawer sets have a shaped top edge/pull.
Box/File pedestals have a continuous blade pull on the lower drawer; finish is MBN Brushed Nickel.

+ Options:

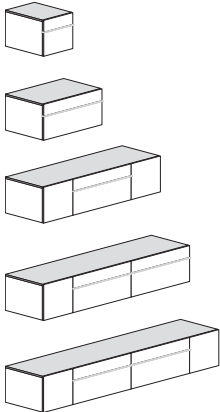
Face Locks are included on all drawer and door pedestals. For no locks, specify Option NL.
For ventilation slots, specify Option VS; add \$250.
For finished left side, specify Option FL; add \$139.
For finished right side, specify Option FR; add \$139.
For finished both sides, specify Option FS; add \$278.
For High Gloss Solid Color drawer/door faces, specify Option HGF and add the \$ shown at far right.

Specify: Product Number
Quantity
Tagging
Wood Finish
Hardware Finish

- Denotes item illustrated.
- ↯ Includes locks.
- ‡ Requires field sub-assembly.

Prices listed in Wood1 Finishes.

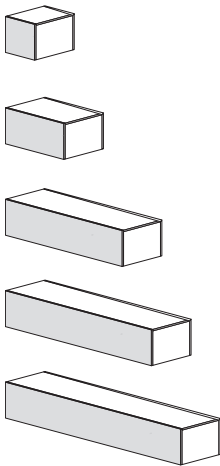
Modular Credenza Tops



				ProdNo.	List \$
Continuous Top ‡	w	0.75th	20.25d	Wood1	
Credenza Top 16w	16			QFT16	472
Credenza Top 32w	32			QFT32	523
Credenza Top 48w	48			QFT48	573
Credenza Top 64w	64			QFT64	624
Credenza Top 80w	80			QFT80	807
Credenza Top 96w	96			QFT96	858
Credenza Top 112w	112			QFT112	909

! Note:
Tops have square-cut edges.

Modular Credenza Backs



				Wood1	
Continuous Finished Back ‡	w	0.75d	19.5h	Wood1	
Credenza Back 16	16			QFB16	469
Credenza Back 32	32			QFB32	518
Credenza Back 48	48			QFB48	566
Credenza Back 64	64			QFB64	615
Credenza Back 80	80			QFB80	796
Credenza Back 96	96			QFB96	844
Credenza Back 112	112			QFB112	893

! Note:
Veneer direction is horizontal. Vertical grain available on request.

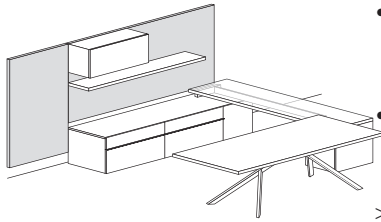


Specify: Product Number
Quantity
Tagging
Wood Finish
Hardware Finish

- Denotes item illustrated.
- ↪ Includes locks.
- ‡ Requires field sub-assembly.

Prices listed in Wood1 Finishes.

Wall Panels



	Product Prefix	Width Code / \$					
Above Credenza ‡		...32	...48	...64	...80	...96	...112
• WallPanel/Cred 63h	QWP63C...	843	955	1105	1395	1524	1597
WallPanel/Cred 79h	QWP79C...	934	1077	1265	1594	1760	1872
Full Height †		...32	...48	...64	...80	...96	...112
• WallPanel/Full 63h	QWP63F...	1058	1213	1467	1837	2030	2205
WallPanel/Full 79h †	QWP79F...	1143	1335	1626	2035	2267	2479

WIDTH	HEIGHT	ALIGN
32	70.2	Left
48	56.2	Center
64	42.3	Right
80	28.4	
96	14.4	
112		

> To Specify Wall Panels:

Determine a complete product number by merging the selected Product Prefix and desired Width Code. Specify shelves to be added, including shelf width, height location and horizontal alignment (see chart). Examples illustrated: QWP63F32; QWP63C80 shelving at 64-42.3-L

Order Wall Panels of a set in L to R order. Specify wood finish selection, individually or collectively.

! Notes:

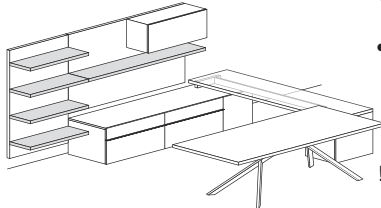
Wall Panels are 1.5 inches thick; exposed ends have finished veneers. Wall Panels are designed to mount 6-in from the floor. Veneers shown here are all Wood1 species and solid paint colors; inquire regarding other species/colors. Grain direction on veneer panels is horizontal; quarter-sawn and rift cuts are recommended. Customer walls must be adequately constructed to accept wall-hung units.

† Full-height, 79h panels have 2-piece construction; seam line will be 21.4-in from floor.

+ Options/Parametrics:

Widths: 24-112. Replace Width Code with actual dimension; use next larger size for pricing.

Wall Panel Shelves



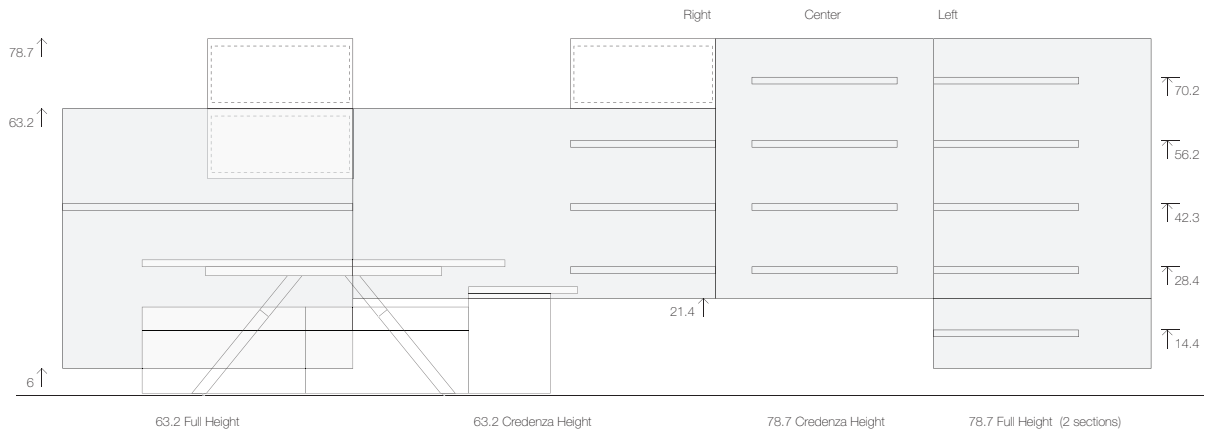
‡	w	11.3d	1.5th	Wood1
• Wall Panel Shelf 32w	32			QWS32 755
Wall Panel Shelf 48w	48			QWS48 835
• Wall Panel Shelf 64w	64			QWS64 907
Wall Panel Shelf 80w	80			QWS80 973
Wall Panel Shelf 96w	96			QWS96 1052
Wall Panel Shelf 112w	112			QWS112 1072

! Notes:

All shelves are 1.5 inches thick; exposed surfaces have finished veneers. Wood veneers shown here are all Wood1 species and solid paint colors; inquire regarding other species/colors.

+ Options/Parametrics:

Widths: 24-112. Replace item number width code with actual dimension; use next larger std size for pricing.

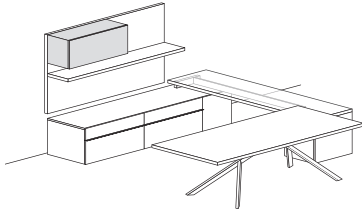


Specify: Product Number
Quantity
Tagging
Wood Finish
Hardware Finish

• Denotes item illustrated.
↪ Includes locks.
‡ Requires field sub-assembly.

Prices listed in Wood1 Finishes.

Wall Panel Cabinets



	Product No.	List \$	+ List \$
Field-Installed to Wall Panel ‡ 32w 12d 15.4h	Wood1		Opt HGF
Wall Panel Cabinet/Lift Door	QWXW	1681	+347

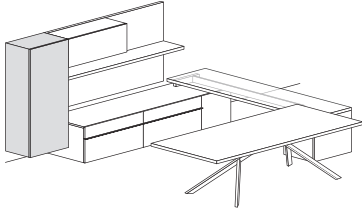
! Notes:

Identify the Wall Panel to receive this cabinet; specify Left, Center or Right alignment.

+ Options:

For High Gloss Solid Color door faces, specify Option HGF and add the \$ shown in the far right column.

Wall-Hung Storage



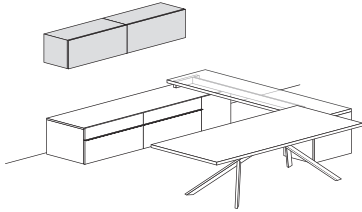
Installs to Wall Directly ‡	w	13.5d	h	Wood1		Opt HGF
Wall-Hung Cabinet/Lift Door	32		15.4	QWXX	1748	+347
Wall-Hung Cabinet 63h LH	21		57.2	QWXL4	2247	+770
Wall-Hung Cabinet 63h RH	21		57.2	QWXR4	2247	+770
Wall-Hung Cabinet 79h LH	21		72.7	QWXL5	2381	+973
Wall-Hung Cabinet 79h RH	21		72.7	QWXR5	2381	+973
Wall-Hung Garment 63h LH	21		57.2	QWXG4	2078	+770
Wall-Hung Garment 63h RH	21		57.2	QWXH4	2078	+770
Wall-Hung Garment 79h LH	21		72.7	QWXG5	2157	+973
Wall-Hung Garment 79h RH	21		72.7	QWXH5	2157	+973

! Notes:

Provide wall layout drawing for location.

+ Options:

For High Gloss Solid Color door faces, specify Option HGF and add the \$ shown in the far right column.



Specify: Product Number
Quantity
Tagging
Wood Finish
Hardware Finish

- Denotes item illustrated.
- ↪ Includes locks.
- ‡ Requires field sub-assembly.

Prices listed in Wood1 Finishes.

