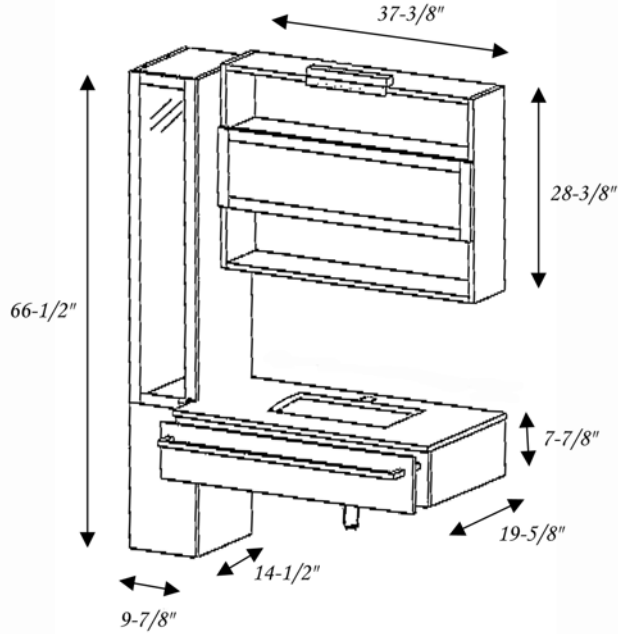


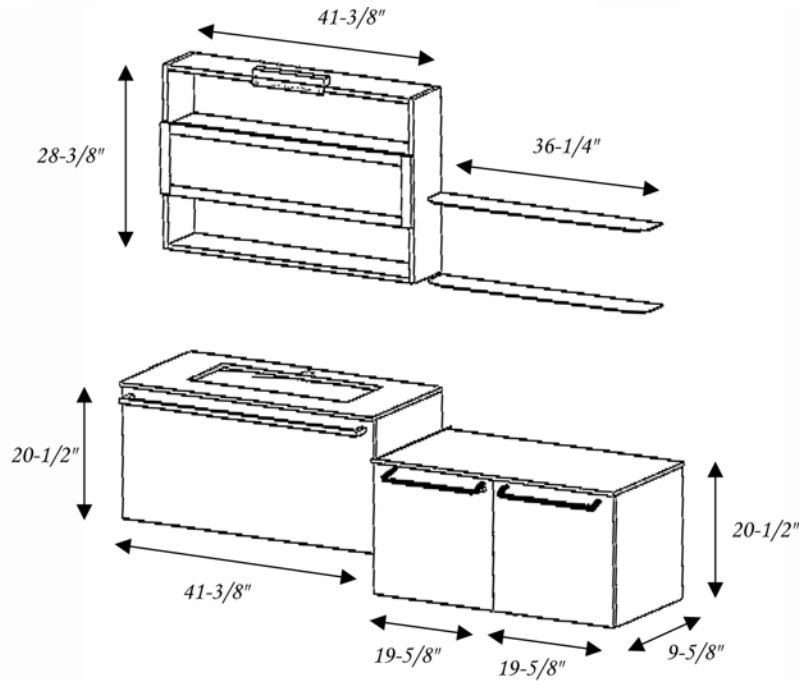


RAB BATH FURNITURE

REF # AB406



REF # AB407



Project Information

Job Name: \_\_\_\_\_ Date: \_\_\_\_\_ Type of wood/Finish: \_\_\_\_\_

Comments: \_\_\_\_\_

Approved: \_\_\_\_\_