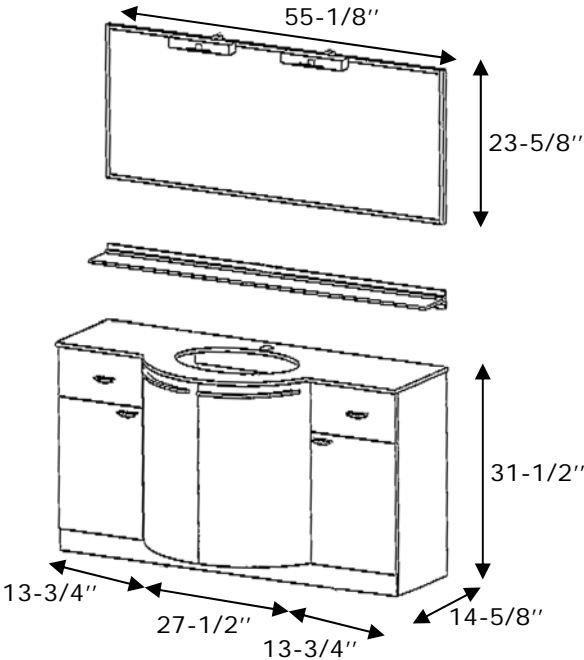


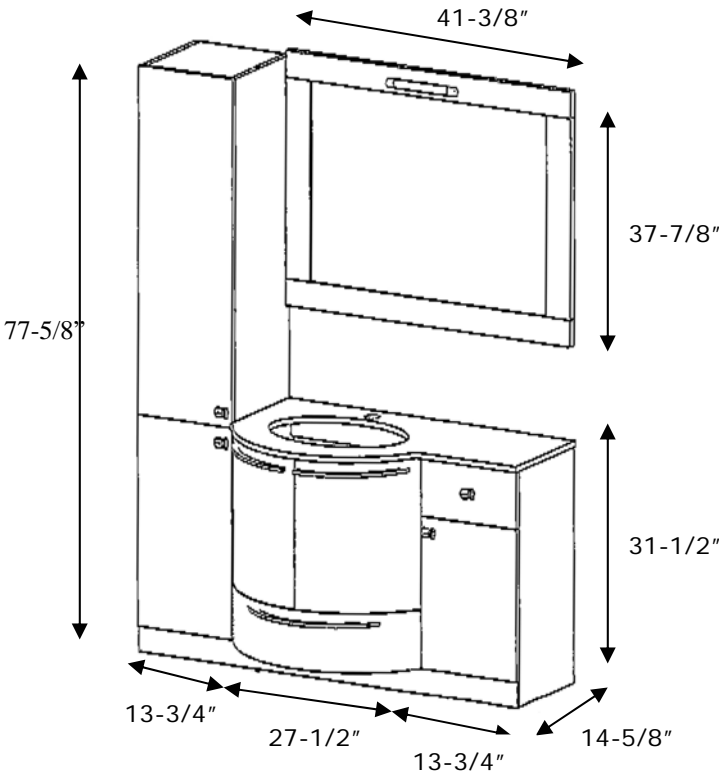


RAB BATH FURNITURE

REF # AB210



REF # AB211



Project Information		
Job Name: _____	Date: _____	Type of wood/Finish: _____
Comments: _____		
Approved: _____		