



# bivi trunk & half round table

Assembly Instructions

## tools needed



## assembly video



[myturnstone.com/bivi/instructions](http://myturnstone.com/bivi/instructions)

## time needed



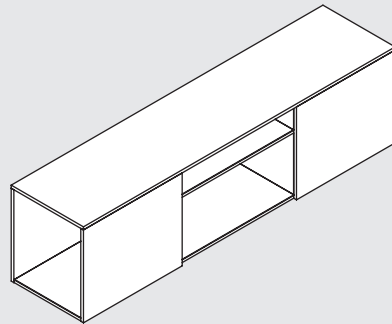
assemble time:  
**5 minutes**

## difficulty scale

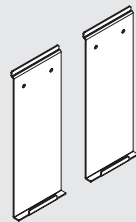
really  
easy

a little  
more difficult

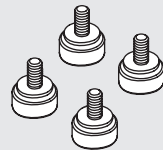
## bivi trunk



trunk



hanging  
brackets (2)



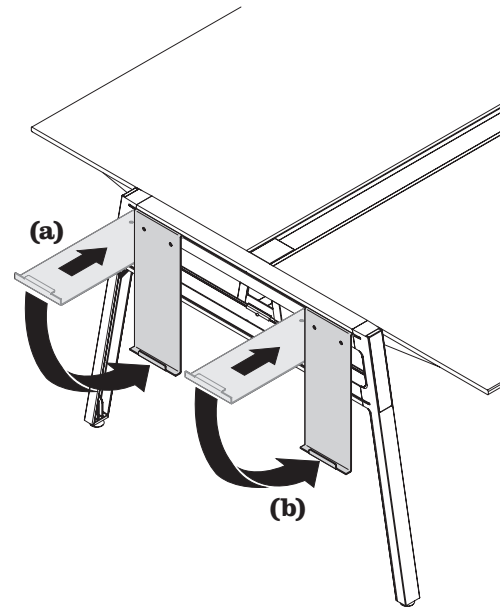
thumb screws (4)

## STEP

# 1

### Hang brackets.

- Remove brackets from trunk.
- Place the two hanging brackets into the upper leg slot **(a)** and swing into position **(b)**.



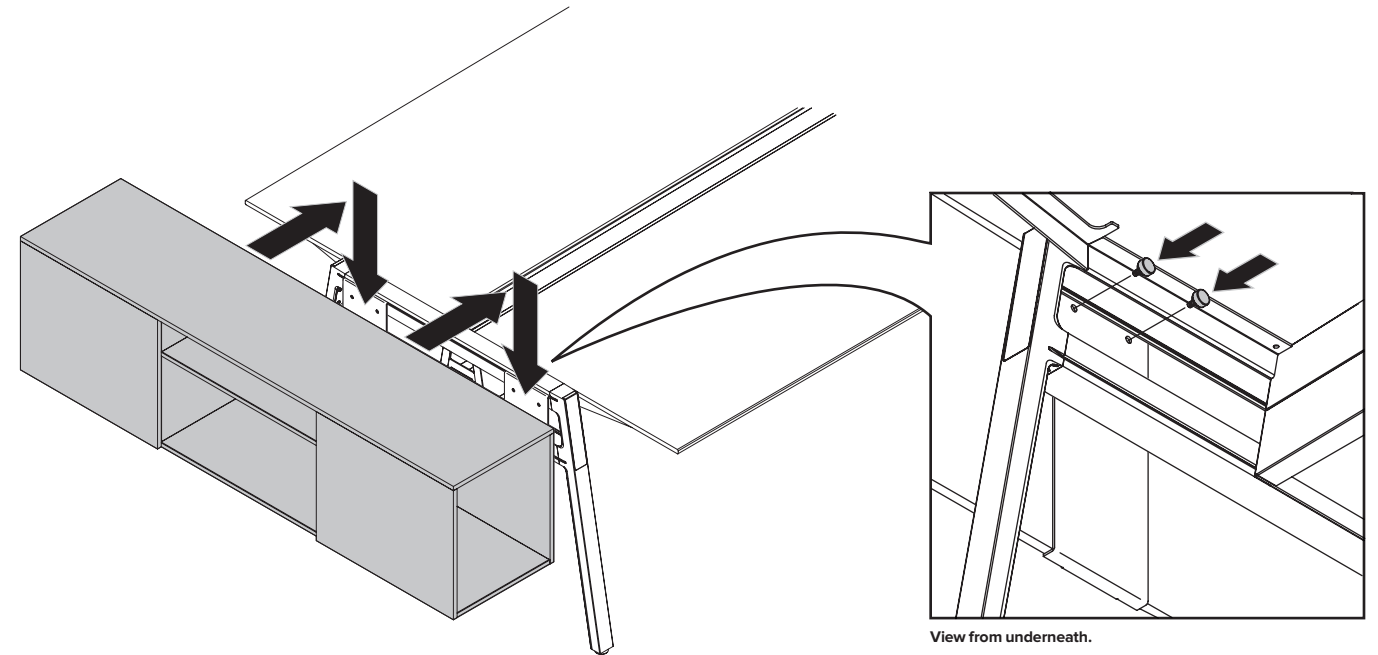
## For assembly video go to [myturnstone.com/bivi/instructions](http://myturnstone.com/bivi/instructions)

## STEP

# 2

### Hang trunk.

- Pick up the bivi trunk (one person at each end) and place the bottom of the storage unit on top of the edges of the hanging brackets.
- Next have one person hold the front of the storage unit in place while the other person goes under the workstation to secure the unit in place with two thumb screws per hanging bracket.



View from underneath.

### tools needed



### assembly video



[myturnstone.com/bivi/instructions](http://myturnstone.com/bivi/instructions)

### time needed



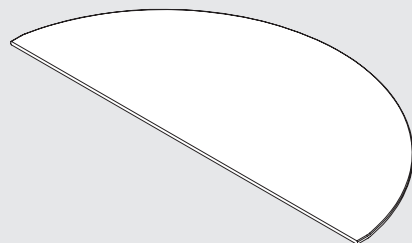
assemble time:  
**5 minutes**

### difficulty scale

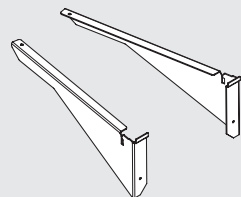
really  
easy

a little  
more difficult

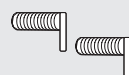
### bivi half round table



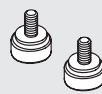
half round work surface



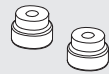
brackets (2)



hooks (2)



thumb screws (4)



knobs (2)

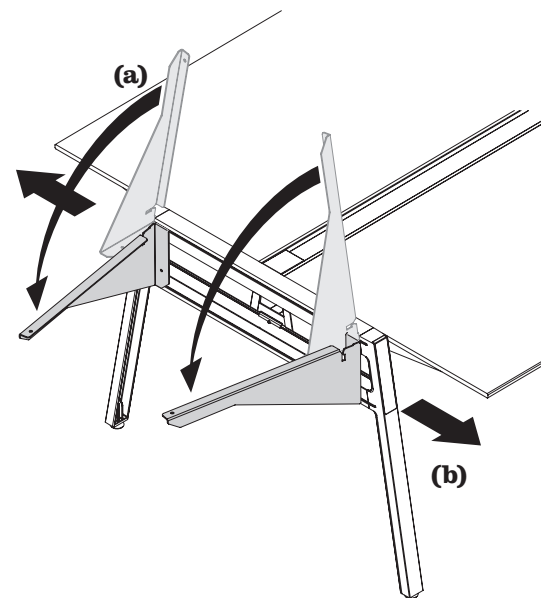
For assembly video go to [myturnstone.com/bivi/instructions](http://myturnstone.com/bivi/instructions)

## STEP

# 1

Hang  
brackets.

- Place two brackets into the upper leg slot and swing down **(a)**.
- Move brackets to outer ends of the slot **(b)**.

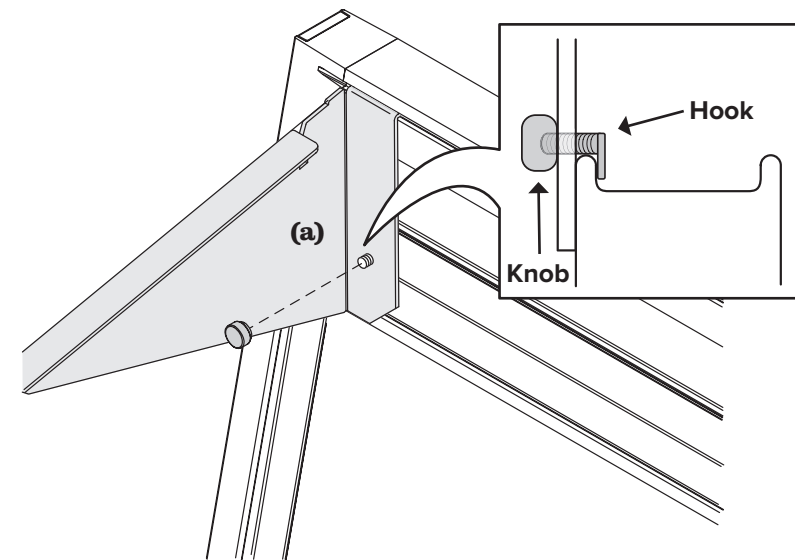


## STEP

# 2

Tighten knob.

- Tighten knob **(a)**.
- Make sure that the hook goes over bottom horizontal leg.

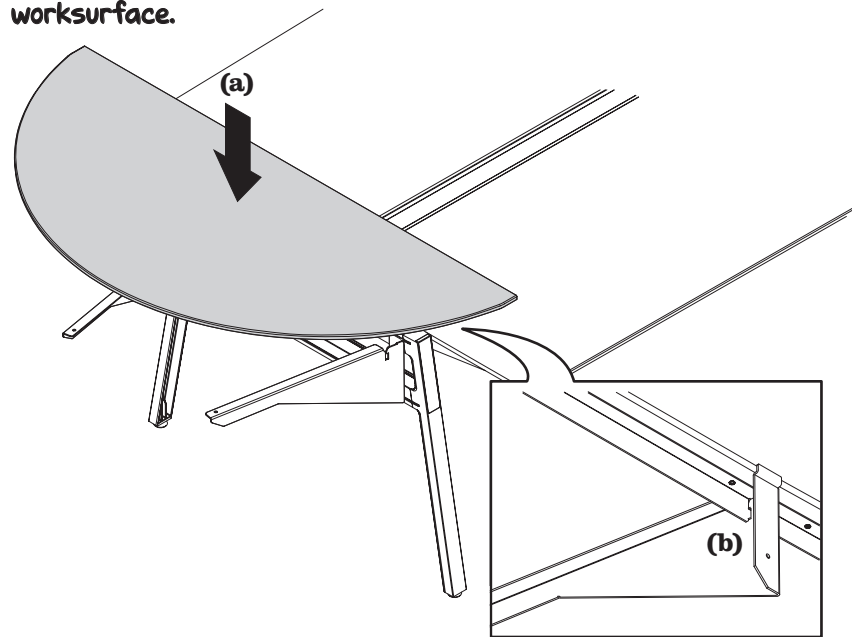


## STEP

# 3

Place half round work surface.

- Place half round work surface on brackets **(a)**.
- Make sure the support brace on the underside of the work surface hooks into the brackets as shown **(b)**.



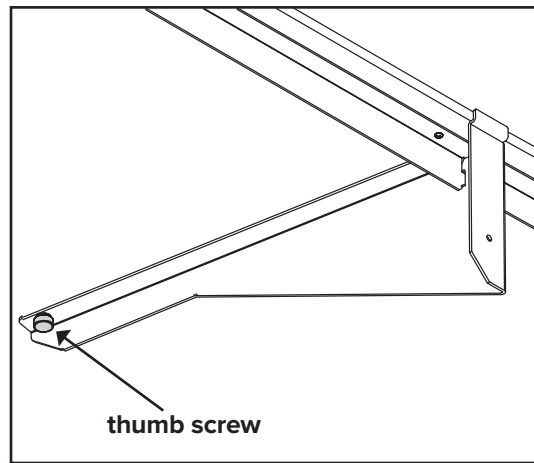
View from underneath.

## STEP

# 4

Tighten thumb screws.

- Line up the hole in the brackets with threaded insert on the bottom of the work surface.
- Secure the half round work surface to the brackets using the thumb screws.



Visit [myturnstone.com](http://myturnstone.com) to see more spots.





turnstone®

For more information and assembly instruction videos visit [myturnstone.com/bivi/instructions](https://myturnstone.com/bivi/instructions)

All rights reserved. ©2010 Steelcase Inc. Printed in the U.S.A. on recycled paper. ⓘ Data subject to change. Trademarks used herein are the property of Steelcase Inc. Some products and services may not be available in all countries. Your Turnstone representative can provide you with details. For more information, call Turnstone Customer Service at 1-877-473-1108 or visit us online at [myturnstone.com](https://myturnstone.com). ad-stock ID 10-0003124. **bivi half round table top & bivi truck: 11/10** engineering document 939500451 rev C.