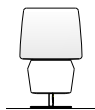


L E U C O S<sup>®</sup>

INSTALLATION INSTRUCTIONS - LEUCOS USA

# VALO TR - VALO T



A1 Enclosed



One installer



Save instructions

Revised  
06 Luglio 2006


### WARNING:

- Disconnect power before installation. - Fixture to be installed by a certified electrician.
- Install in accordance with the national and local electrical codes.

ATTENTION IN CASE OF DAMAGE OF THE FLEXIBLE SUPPLY CABLE, SUBSTITUTION SHOULD BE CARRIED OUT BY THE CONSTRUCTOR, CLIENT SERVICE OR QUALIFIED PERSONNEL, IN ORDER TO AVOID DANGER.

1. **Fig.1** : Guide the diffuser "D", from the top, till to match the three holes with the three threaded rivets of structure "B".
2. **Fig.1 - 2** : Lock the diffuser by the three thumb screws provided on the three matching threaded rivets "C". Take care to tight moderately by fingers. Do not use tools.
3. Place the bulb into the lampholder and make a working ceck.
4. **Fig.2** : Lean the diffuser "E" on the lower collar "W" of glass "D" as shown and take care to place it correctly.
5. **Fig.** : Tighten the upper plate "F", from the top, on the top base of structure "B". Tighten moderately by fingers. Do not use tools.
6. Restore power.

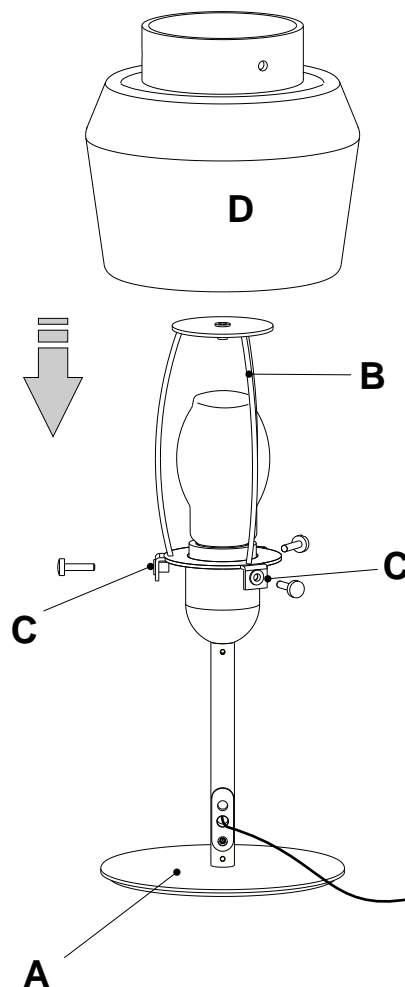
### FOR USA MARKET ONLY :

**VALO T** - max 1x100 W 120V E26 Type A 

**VALO TR** - max 1x100 W 120V E26 Type A 

For additional information please contact your local dealer  
or **LEUCOS U.S.A.** at: Tel. (732) 225-0010 Fax. (732) 225-0250

### Fig. 1



### Fig. 2

