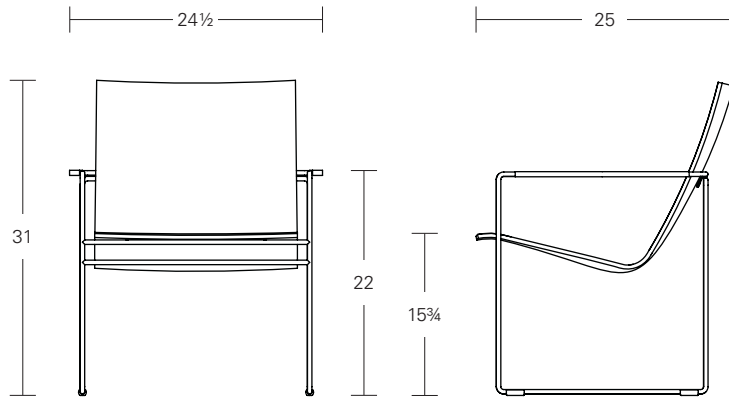


## Hammok - Lounge Chair

Model HL

W 24½ D 25 H 31 SH 15¾ AH 22

design: Burkhard Vogtherr



## Specification Options

### Veneer Options (Shell and Arm Cap):

33 Finishes on Beech - Leland Colours I & II

### Frame Options:

9 Powder Coat Steel colors - Leland Colours V

### Glide Options:

Standard (Polycarbonate)

Felt

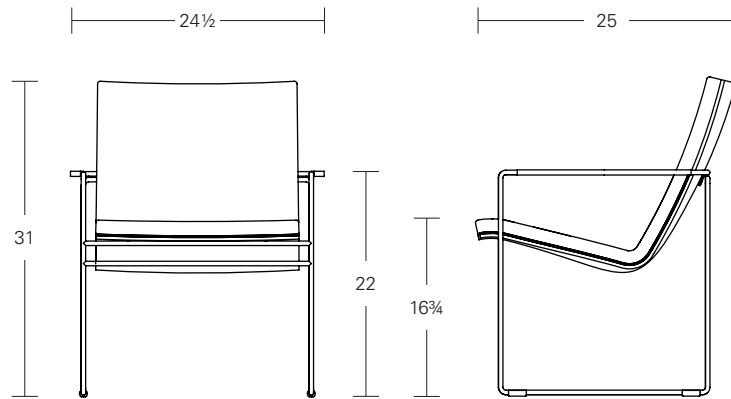
L e l a n d

## Hammok - Lounge Chair

Model HLU

W 24½ D 25 H 31 SH 16¾ AH 22

design: Burkhard Vogtherr



## Specification Options

### Veneer Options (Shell and Arm Cap):

33 Finishes on Beech - Leland Colours I & II

### Upholstered Onlay Options (Fabric Approval Required):

Brentano  
Camira  
Carnegie  
C.F. Stinson  
Green Hides  
Maharam  
Unika Vaev  
COM/COL

### Frame Options:

9 Powder Coat Steel colors - Leland Colours V

### Glide Options:

Standard (Polycarbonate)  
Felt

L e l a n d