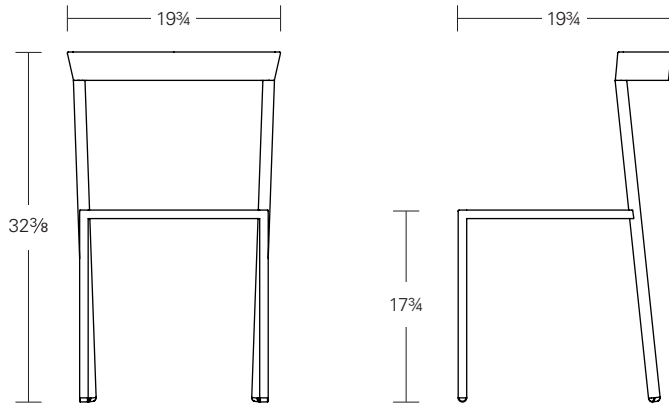


Zing - Side Chair

W 19 $\frac{3}{4}$ D 19 $\frac{3}{4}$ H 32 $\frac{3}{8}$ SH 17 $\frac{3}{4}$

design: Bruce Sienkowski



Specification Options

Seat Options:

Wood - 33 Finishes, Leland Colours I & II

Steel - 9 Powder Coat colors, Leland Colours V; Additional Primary Colors

Frosted Acrylic

Webbed - Black, White and Grey

Upholstered - COM/COL or 7 fabric partners

Back Options:

Open

Wood Banister - 33 Finishes, Leland Colours I & II

Wood Spindle - 33 Finishes, Leland Colours I & II

Steel Square Rod - 9 Powder Coat colors, Leland Colours V; Additional Primary Colors

Full Steel - 9 Powder Coat colors, Leland Colours V; Additional Primary Colors

Upholstered - COM/COL or 7 fabric partners

Frame Options:

9 Powder Coat colors - Leland Colours V; Additional Primary Colors

Glide Options:

Standard (polycarbonate)

Felt

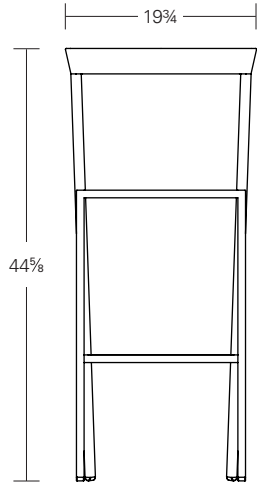
L e l a n d

Zing - Bar and Counter Chairs

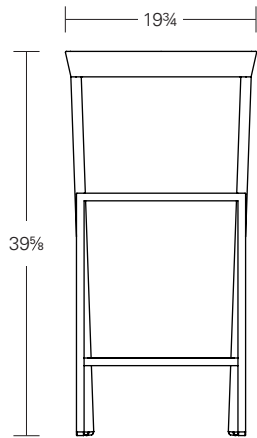
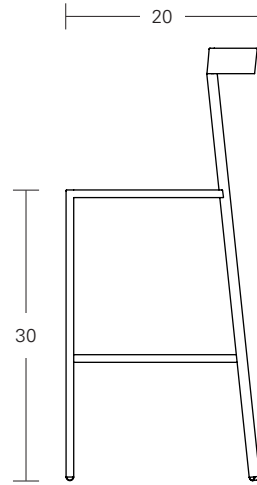
Bar W 19¼ D 20 H 44½ SH 30

Counter W 19¼ D 19¼ H 39½ SH 25

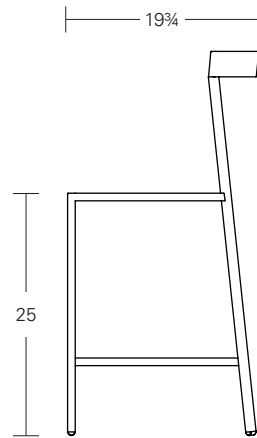
design: Bruce Sienkowski



Bar Chair with Open Back



Counter Chair with Open Back



Specification Options

Seat Options:

Wood - 33 Finishes, Leland Colours I & II

Steel - 9 Powder Coat colors, Leland Colours V; Additional Primary Colors

Frosted Acrylic

Webbed - Black, White and Grey

Upholstered - COM/COL or 7 fabric partners

Back Options:

Open

Wood Banister - 33 Finishes, Leland Colours I & II

Wood Spindle - 33 Finishes, Leland Colours I & II

Steel Square Rod - 9 Powder Coat colors, Leland Colours V; Additional Primary Colors

Full Steel - 9 Powder Coat colors, Leland Colours V; Additional Primary Colors

Upholstered - COM/COL or 7 fabric partners

Frame Options:

9 Powder Coat colors - Leland Colours V; Additional Primary Colors

Glide Options:

Standard (polycarbonate)

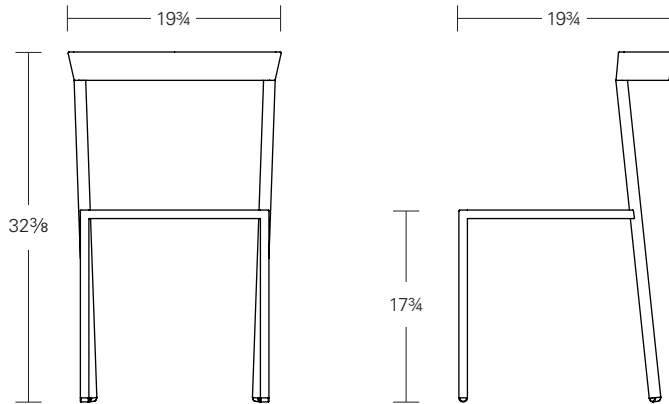
Felt



Zing - Outdoor Side Chair

W 19 $\frac{3}{4}$ D 19 $\frac{3}{4}$ H 32 $\frac{3}{8}$ SH 17 $\frac{3}{4}$

design: Bruce Sienkowski



Specification Options

Seat Options:

Steel - 9 Powder Coat colors, Leland Colours V; Additional Primary Colors
Wood - Outdoor Teak

Back Options:

Open
Steel Square Rod - 9 Powder Coat colors, Leland Colours V; Additional Primary Colors
Full Steel - 9 Powder Coat colors, Leland Colours V; Additional Primary Colors
Wood Banister - Outdoor Teak

Frame Options:

9 Powder Coat colors, Leland Colours V; Additional Primary Colors

Glide Options:

Standard (polycarbonate)

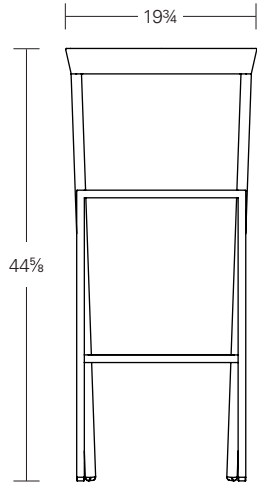


Zing - Outdoor Bar and Counter Chairs

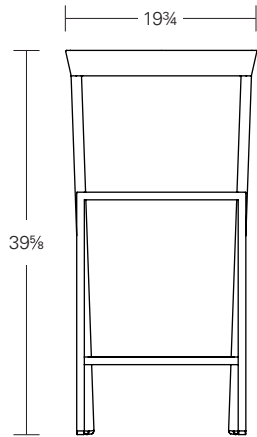
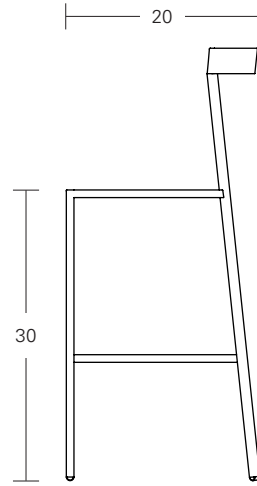
Bar W 19¾ D 20 H 44½ SH 30

design: Bruce Sienkowski

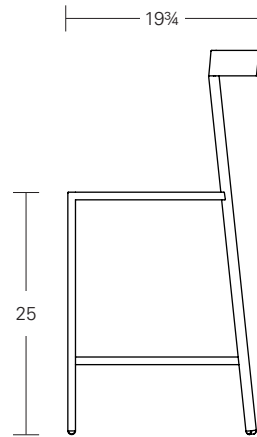
Counter W 19¾ D 19¾ H 39½ SH 25



Bar Chair with Open Back



Counter Chair with Open Back



Specification Options

Seat Options:

Steel - 9 Powder Coat colors, Leland Colours V; Additional Primary Colors
Wood - Outdoor Teak

Back Options:

Open
Steel Square Rod - 9 Powder Coat colors, Leland Colours V; Additional Primary Colors
Full Steel - 9 Powder Coat colors, Leland Colours V; Additional Primary Colors
Wood Banister - Outdoor Teak

Frame Options:

9 Powder Coat colors, Leland Colours V; Additional Primary Colors

Glide Options:

Standard (polycarbonate)

