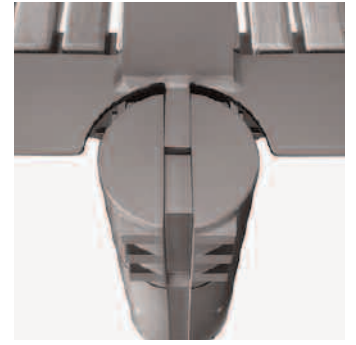


POLARIS

4





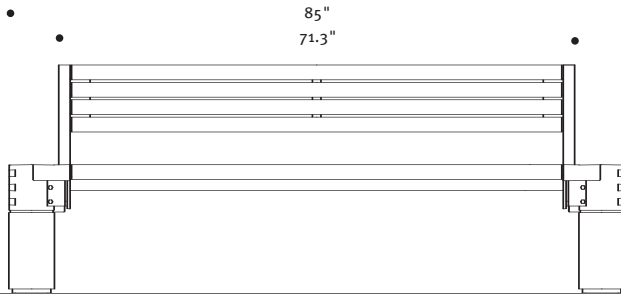
**POLARIS**  
Bench

Simple lines and distinctive detailing of the POLARIS bench bring style to modern architecture. Slats for seat and optional back are weather-resistant pressure impregnated European Ash.

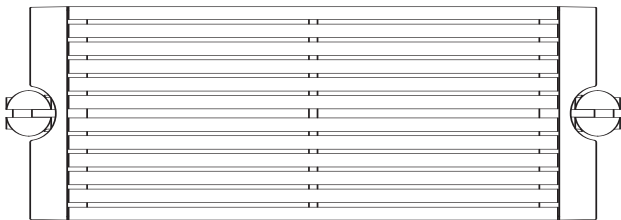
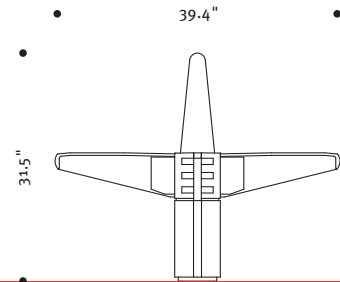
Wood weathers to silvery finish. Optional Kambala (Iroki) wood slats with golden brown color are available. Heavy cast aluminum legs with signature notched detail, extruded aluminum support

frame, and cast aluminum ends are finished in finely textured paint. All hardware is stainless steel. Standard color; graphite grey. Special colors available. See technical sheet for details.

Model	Style	Length
PLN200L/B	Backless	85"
PLN200	Backed	85"



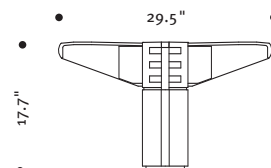
PLN200



67.7"



85"



17.7"



Design: Jean-Michel Willmotte

PLN200L/B