



BARI 220 SL Ω




BARI 220 SL
Ceiling Mounted Luminaire

High-tech appearance and natural aluminum finish make the BARI family a perfect accent to contemporary architecture. While smaller models are well suited for accent lighting of more intimate spaces, the large scale of the BR220 with

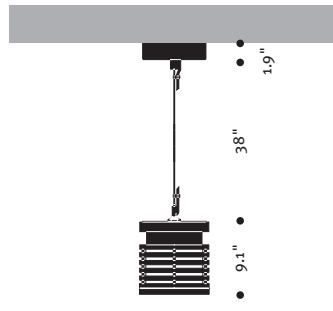
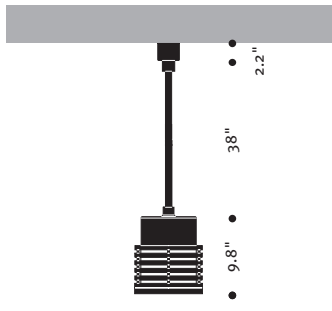
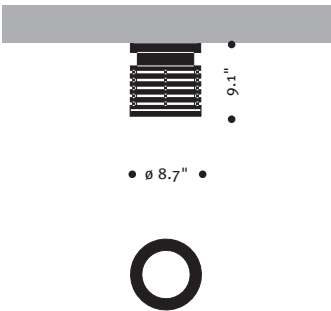
its metal halide lamp is ideal for large spaces with higher ceiling heights. Housing and matching trim ring are machined from billet aluminum, then natural anodized. Spun aluminum louvers are also natural anodized. Cylindrical

translucent lens provides side illumination, while the SLC model includes an additional top lens for subtle uplighting. Canopy and stem for SLP model are natural anodized. Cable for SLC model is stainless steel. Hardware is stain-

less steel. Optional matte tempered glass lens is available to conceal lamp and diffuse illumination. See technical data sheet for details.

 Listed for Damp Locations

Model	Mounting	Lamp
BR220SL	Ceiling	35 MH
BR220SLP	Pendant	35 MH
BR220SLC	Pendant	35 MH



Design: Klaus Begasse

