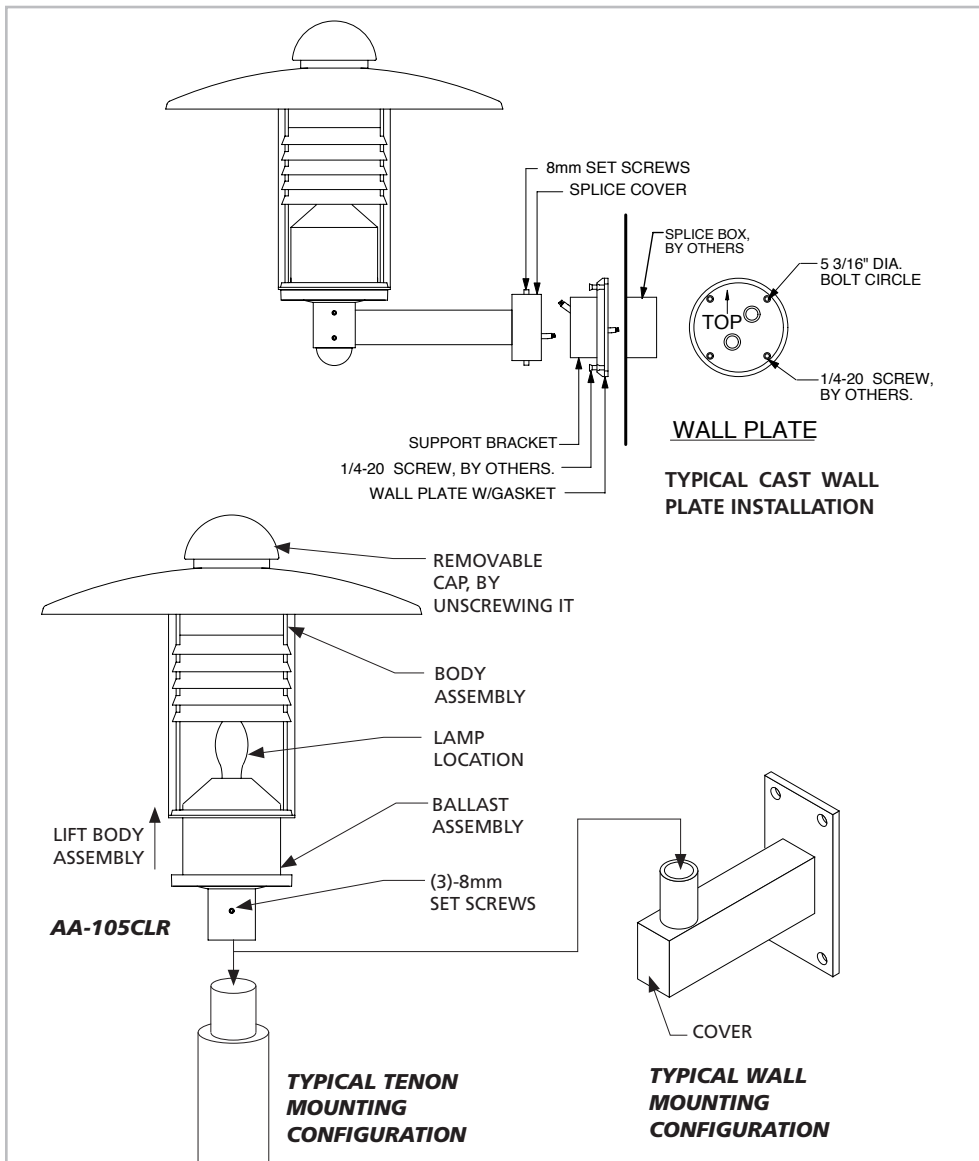
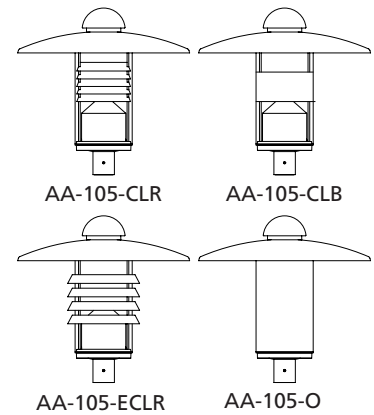


2930 South Fairview Street
Santa Ana, CA 92704
Phone: 714 668 3660
Fax: 714 668 1107
Email: allighting@earthlink.net

INSTALLATION SHEET

Safety, Warnings and Suggestions

- ¹ *Care* should be taken not to position fixtures in locations where bare skin can come into contact with the potentially high temperatures on the lens.
- ² *Avoid* installing fixtures in locations where water collects and stands for prolonged periods.
- ³ *Make* sure that electrical power is disconnected before any work is performed.
- ⁴ *All* gaskets and sealing surfaces must be kept clean during installation.
- ⁵ *All* wiring and installation should meet local, state and national electrical codes.
- ⁶ *Install* correct lamp type and wattage.



1. (POST TOP INSTALLATION)
Remove the fixture from the box. Loosen (3)-8mm set screws from tenon fitter (use a 4mm allen bit). Mount the fixture to the tenon on the pole or on the wall bracket. Make power and ground connection using UL approved connectors at the pole or tenon. Orient the fixture as desire and tighten all the set screws.

2. (ARM MOUNT INSTALLATION)
Prepare the wall surface with the bolt pattern to accept the wall plate. It takes (4) 1/4-20 flat head bolts. Bolts, by contractor.

2A. Remove the fixture from the box . Loosen (2)-8mm set screws and remove the wall plate assembly. Make power and ground connection using UL approved connectors inside the J-box and mount the wall plate over the J-box with (4)-1/4-20 flat head bolts.

2B. Mount the fixture back on to the wall plate assembly and make the final power and ground connection using UL approved connectors. Retighting the (2)-8mm set screws.

3. Access the lamp by loosening (3)-3mm cap screw (use a 3mm Allen bit) from the bottom of the ballast assembly. Lift the body assembly as shown. Install the proper lamp and reinstall the body assembly. Re-tighten the 3mm cap screws.

AA