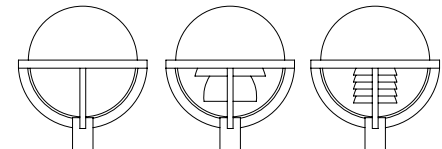


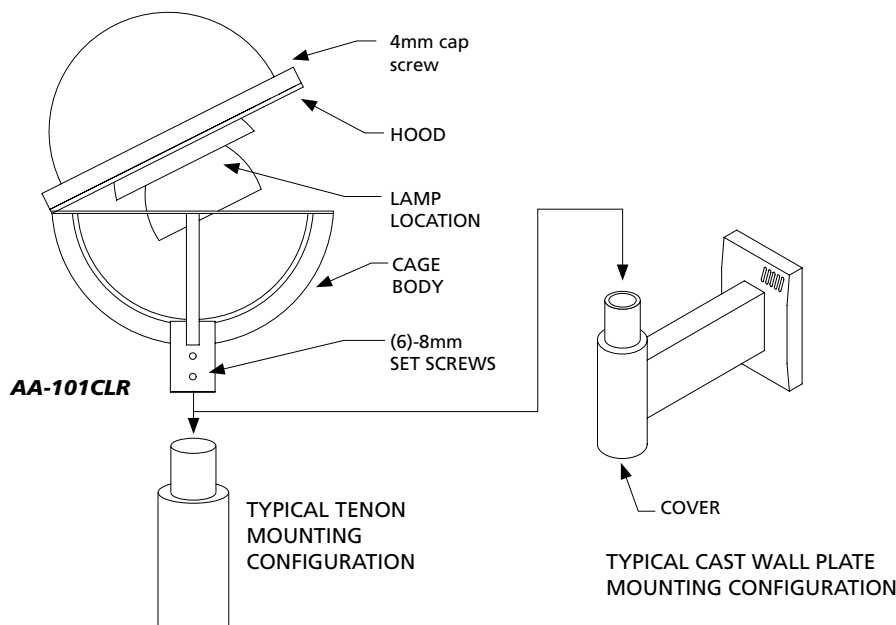
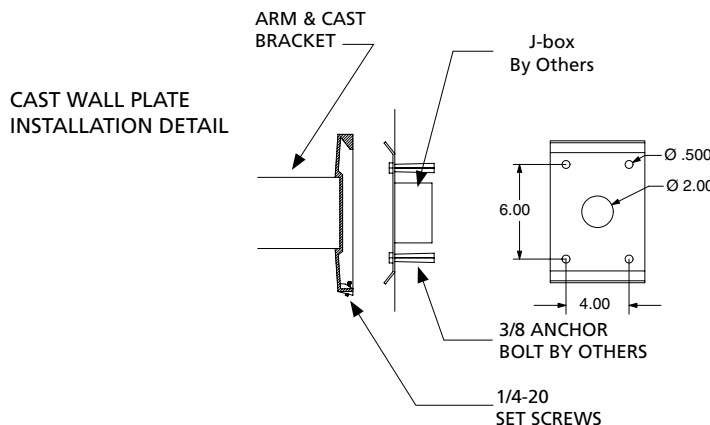
INSTALLATION SHEET

Safety, Warnings and Suggestions

- ¹ **Care** should be taken not to position fixtures in locations where bare skin can come into contact with the potentially high temperatures on the lens.
- ² **Avoid** installing fixtures in locations where water collects and stands for prolonged periods.
- ³ **Make** sure that electrical power is disconnected before any work is performed.
- ⁴ **All** gaskets and sealing surfaces must be kept clean during installation.
- ⁵ **All** wiring and installation should meet local, state and national electrical codes.
- ⁶ **Install** correct lamp type and wattage.



AA-101-CL/O AA-101-CLR AA-101-CLL



1. (POST TOP INSTALLATION)

Remove the fixture from the box. Loosen (6)-8mm set screws from tenon fitter (use a 4mm allen bit). Mount the fixture to the tenon on the pole or on the wall bracket. Make power and ground connections using UL approved connectors at the pole or tenon. Orient the fixture as desired and tighten all the set screws.

2. (CAST BRACKET INSTALLATION)

Remove the fixture from the box and remove the wall plate by loosening (2)-1/4-20 set screws from the bottom of the cast cover. Secure the wall plate to the wall with (4)-3/8 bolts or anchor bolts (hardware by others). (See step 3) Reinstall the unit by mounting it over the wall plate and retightening the set screws at the bottom of the cast bracket.

3. Make power and ground connections using UL approved connectors at the J-box (J-box by others).

4. Access the lamp by removing (1)-4mm cap screw (use a 4mm Allen bit) from the top of the hood assembly. Open the hood and swing open as shown. Install the correct lamp and close the hood. Reinstall the 4mm cap screw.