

Building Entrances
Walkways
Parking Lots
Shopping Malls



AA-101-CLR



AA-101-CLL-WM



AA-101-O



AA-101-CL-WM

BASKETTE

Specifications



⚠ IP 44

Certifications The fixture shall be ETL and CETL listed for wet location. and have a protection rating of IP44.

Housing The housing shall be constructed of spun and cast aluminum.

Ballast The ballast shall be readily accessible, removable and insulated. The fixture is to be pre-wired and electronically tested before shipment.

Lens The lens shall be clear or opal acrylic.

Reflector The reflectors shall be aluminum and silver anodized.

Mounting Detail The fixture shall externally slipfit 3" tenon.

Hardware All exposed hardware shall be stainless steel.

Finish BK-BZ-WH-GR-GY-NA baked enamel standard, other colors available.

PROJECT
FIXTURE TYPE
CATALOG#

2930 South Fairview Street
 Santa Ana, CA 92704
 Phone: 714 668 3660
 Fax: 714 668 1107
 allighting@earthlink.net
 http://www.allighting.com

AA-101

Product Order Guide

Series	Max Watts	Lamp Type	Lamp Voltage ¹	Finish ¹	Options
AA-101	13 CF	CF ³	120	BK Black	CL Clear Acrylic Lens
	26 CFQ	CFQ ³	208	BZ Bronze	O Opal Acrylic Lens
	42 CFT	CFT ³	240	WH White	CLL Clear Acrylic Lens with Controform Reflector
	150 HPS	E-17 ²	277	GR Green	CLR Clear Acrylic Lens with Variform Reflector
	175 MH	E-17 ²		NA Natural Aluminum	WM Wall Mount
				GY Gray	
				CC Custom Color	

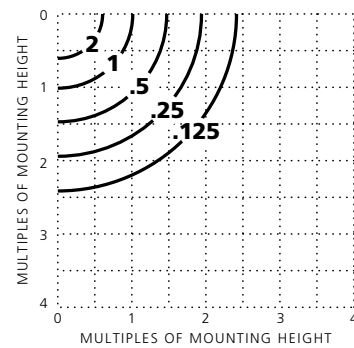
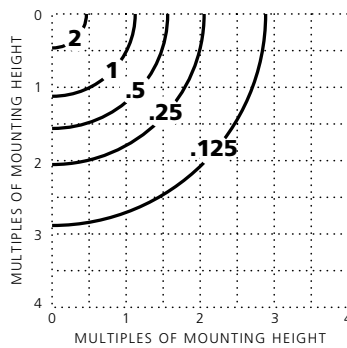
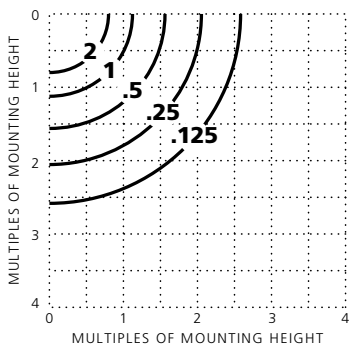
¹ Consult factory for other colors and voltages

² Lamps 175 W and below are medium base.

³ CF = single biax, CFQ = double biax, CFT = triple biax

Example: AA-101-100MH-E17-277-BK-CLR-WM

Photometrics



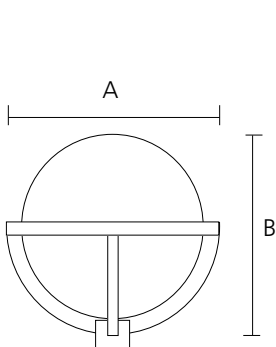
AA-101-70HPS-CLR
 5,600 Lumens
 13.0 ft Mounting Height
 ISOLUX Curves - value in initial footcandles

AA-101-70HPS-O
 5,600 Lumens
 13.0 ft Mounting Height
 ISOLUX Curves - value in initial footcandles

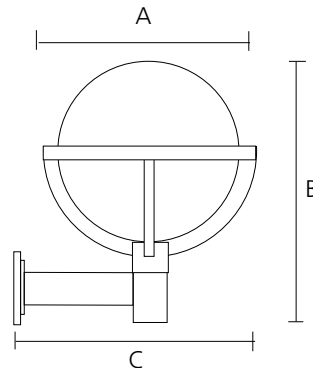
AA-101-70HPS-CLL
 5,600 Lumens
 13.0 ft Mounting Height
 ISOLUX Curves - value in initial footcandles

Luminaire Dimensions

Luminaire	A		B		C		Weight		EPA
	Inch	mm	Inch	mm	Inch	mm	lbs.	kg	
AA-101	22.05	560	22.05	560	n/a	n/a	28.7	13.0	2.02
AA-101-WM	22.05	560	26.57	675	24.41	620	34.5	15.5	2.27



AA-101



AA-101-WM