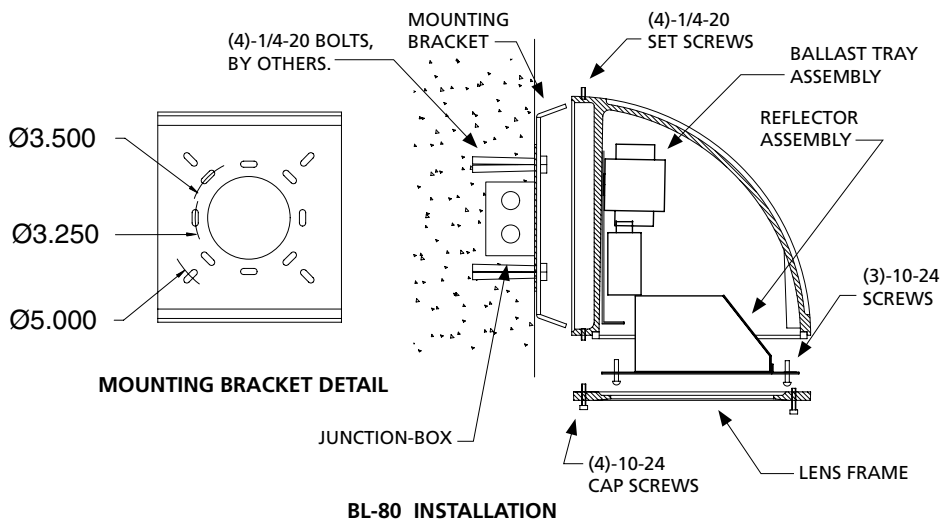
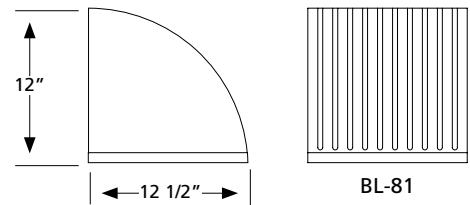
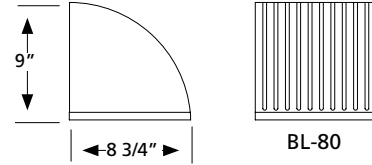


**INSTALLATION SHEET**

**Safety, Warnings and Suggestions**

- <sup>1</sup> **Care** should be taken not to position fixtures in locations where bare skin can come into contact with the potentially high temperatures on the lens.
- <sup>2</sup> **Make** sure that electrical power is disconnected before any work is performed.
- <sup>3</sup> **All** gaskets and sealing surfaces must be kept clean during installation.
- <sup>4</sup> **All** wiring and installation should meet local, state and national electrical codes.
- <sup>5</sup> **Install** correct lamp type and wattage.



1. (BL-80 ONLY)  
Remove the fixture from the box and remove the wall plate by loosening (4)-1/4-20 set screws from the top and bottom of the cast housing. Secure the wall plate to the wall with (4)-1/4-20 bolts or to the junction box with 8-32 screws, hardware by others. Make power and ground connection using UL approved connectors at the Junction-box (J-box by others) then, reinstall the unit by mounting it over the wall plate, retightening the top and bottom set screws. See mounting detail.

2. (BL-81 ONLY)  
Remove the fixture from the box and remove the lens frame by loosening (4)-1/4-20 cap screws. Remove the reflector assembly by loosening (3)-10-24 screws. Remove the wall plate by loosening (4)-1/4-20 hex nuts from the inside of the cast housing. Secure the wall plate to the wall with (4)-1/4-20 bolts, hardware by others. Make power and ground connection using UL approved connectors at the Junction-box (J-box by others), then reinstall the unit by mounting it to the wall plate and tightening the (4)-hex nuts. See mounting detail. Reinstall the reflector assembly with the (3)-10-24 screws provided.

3. (LAMP INSTALLATION)  
Install the correct lamp type and wattage. Reinstall the lens frame. Tighten the (4)-cap screws.

