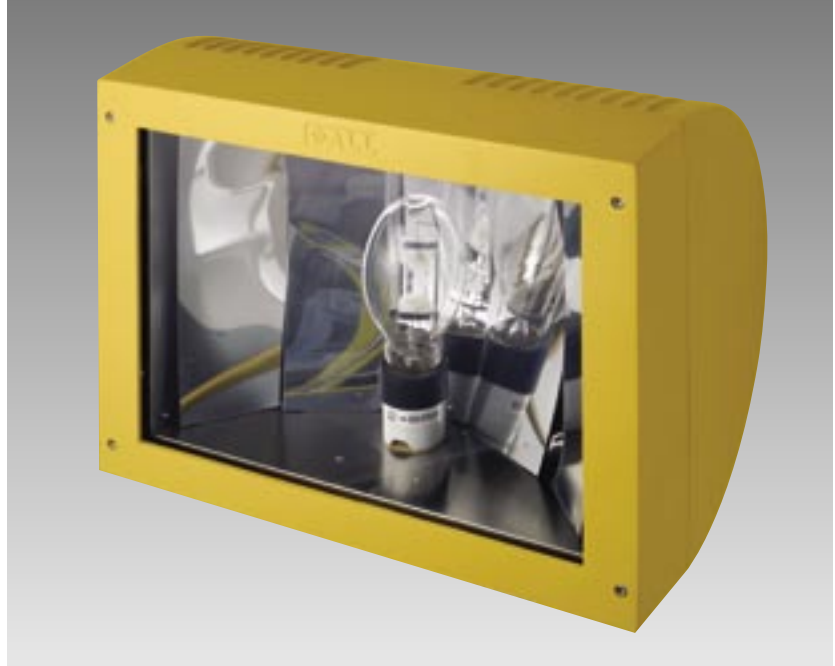


Specification Grade
Landscape Accent
Facade Lighting
Sign Accent
Building Accent
Wall Wash



Specifications



Certifications ETL and CETL listed for wet location and meets IP65 standard, dust-tight and water-jet proof.

Fixture Housing/Knuckle The housing is constructed of heavy wall aluminum castings with a minimum 3/16" thickness. The knuckle is constructed of heavy wall cast aluminum castings with a minimum 3/16" thickness.

Lens Clear tempered 3/16" thick, silicone sealed to lens frame.

Lens Frame Cast aluminum minimum thickness of 3/16". Attached to fixture housing with two stainless steel hinge pins, four stainless steel cap screws and internal safety latch.

Reflectors Spun aluminum highly specular Alzak™ finish for either type R2 spot (2H2V), R3 flood (3H3V) or R4 flood (4H4V) distributions. Four segmented asymmetric reflectors are available, types R5 (6H2V), R6 (6H5V), R7 (6H6V) and R8 (5H6V).

Lamp Holder Porcelain 4kv pulse rated medium base for HID and Incandescent lamp sources.

Options Color Filter (CF), Polycarbonate Lens Shield (PL), Barndoors (BD), Grid Louver (GL), Visor (V), Fusing (F), Double Fusing (FF), Quartz Standby (QS), Photo Control Button (PCB).

Mounting Detail The FL-08 Knuckle is field adjustable up to 65° tilt and 360° horizontal rotation and slips over a 2-3/8" tenon. The FL-08 may be horizontal surface mounted using either the Pier Mount (PM) or Stanchion Mount (SM) options. The FL-08 may be wall or pole mounted using the Heavy Duty Wall Bracket (AWBT). Call factory for custom mounting arrangements. Mounting hardware and junction box by others.

Finish BK-BZ-WH-GR-GY-NA baked enamel paint standard. Powder coat and custom colors available on request.

PROJECT
FIXTURE TYPE
CATALOG#

2930 South Fairview Street
 Santa Ana, CA 92704
 Phone: 714 668 3660
 Fax: 714 668 1107
 allighting@earthlink.net
 http://www.allighting.com

FL-08

natural aluminum

Product Order Guide

Series	Mounting Type	Max Watts	Lamp Type	Voltage ¹	Reflector Type	Finish ²	Options
FL-08	K	400 MH	ED-28	120	R2 2H2V Spot	BK ³ Black	CF Color Filter
				208	R3 3H3V Flood	BZ ³ Bronze	PL Polycarbonate Lens Shield
		400 HPS	ED-18	240	R4 4H4V Flood	WH ³ White	BD Barn Doors
	500 HAL	T4 ⁴	120	R5 6H2V Asym	277	GR ³ Green	GL Grid Louver
					R6 6H5V Asym	NA ³ Natl Aluminum	V Visor
					R7 6H6V Asym	GY ³ Gray	PM Pier Mount
			R8 5H6V Asym	CC ³ Custom Color	SM Stanchion Mount	WBT Wall Bracket with Tenon	
						AWBT Heavy Duty Wall Bracket	
						F Fusing	
						FF Double Fusing	
						QS Quartz Standby	
						PCB Photo Control Button	

¹ Consult factory for other voltages.

² Consult factory for other finishes.

³ Baked enamel paint is standard, powder coat is optional.

⁴ T4, Clear lamp and Mini-Can Base

Note: E-17 Lamps 175W and below are medium base
 CF=single biax, CFQ = double biax, CFT = triple biax

bronze

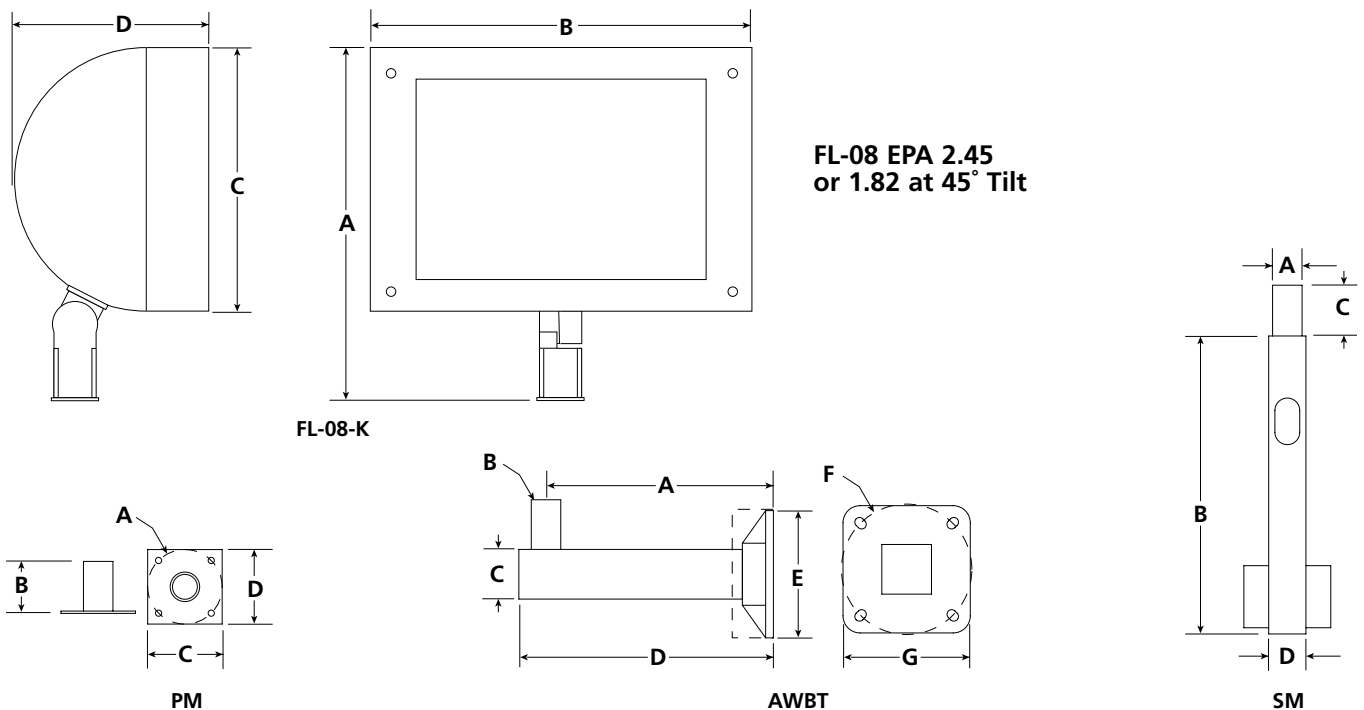
gray

Example: FL-08-K-400MH-ED28-277-R2-BK-AWBT

Luminaire Dimensions

Luminaire	A		B		C		D		E		F		G		Weight	
	Inch	mm	Inch	mm	Inch	mm	Inch	mm	Inch	mm	Inch	mm	Inch	mm	lbs.	kg
FL-08-K	22.75	578	20.00	508	15.63	397	11.75	298	n/a	n/a	n/a	n/a	n/a	n/a	50	22.7
PM	6.00	152	4.00	102	6.00	152	6.00	152	n/a	n/a	n/a	n/a	n/a	n/a	3	1.4
SM	2.375	60	24.00	610	4.09	104	3.00	76	n/a	n/a	n/a	n/a	n/a	n/a	4	1.8
AWBT	18.31	465	2.375	60	4.00	102	20.50	521	10.25	260	10.50	268	10.25	260	15	6.8

green



white

black