

**Low Level Lighting**

**Vandal Resistant**

**Landscape Accent**

**Parks**

**Walkways**



**Specifications**



**Certifications** The fixture shall be ETL and CETL listed for wet location.

**Assembly** The fixture shall be factory pre-wired, with high temperature wire completely assembled and tested prior to shipment. Field installation to mounting base shall be accomplished without having to remove or disassemble any fixture components. Fixture shall be ETL listed suitable for wet locations.

**Housing** The fixture housing is heavy cast aluminum to discourage vandalism. Housing mounting post shall be constructed from 8" diameter aluminum 6063 one piece extruded tube. Anchor bolts included.

**Ballast** Ballast shall be readily accessible, removable and insulated. Quick disconnects are standard.

**Lens** The standard lens shall be a clear tempered glass jar.

**Hardware** All exposed hardware shall be stainless steel.

**Finish** BK-BZ-WH-GR-GY-NA baked enamel standard, other colors available.

PROJECT
FIXTURE TYPE
CATALOG#

2930 South Fairview Street  
 Santa Ana, CA 92704  
 Phone: 714 668 3660  
 Fax: 714 668 1107  
 allighting@earthlink.net  
 http://www.allighting.com

# LL-30/31

## Product Order Guide

Series	Max Watts	Lamp Type	Voltage <sup>1</sup>	Overall Height	Finish <sup>1</sup>	Options
LL-30/31	100 HPS	E-17	120	30"	BZ Bronze	F Fusing
	100 MH	E-17	208	36"	BK Black	CON Concrete Base <sup>3</sup>
	18 CFQ	CFQ <sup>2</sup>	240	42"	GR Green	EMG Emergency Battery Backup
	42 CFT	CFT <sup>2</sup>	277		WH White	HDBP Heavy Duty Base Plate
					NA Natural Aluminum	
					GY Gray	
					CC Custom Color	

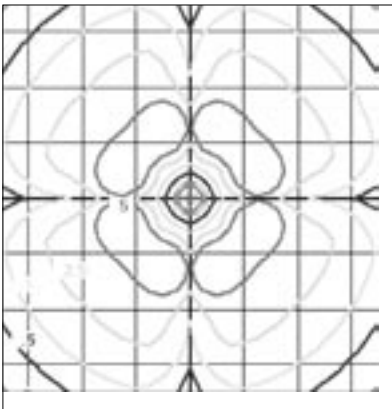
1 Consult factory for other colors and voltages

2 CF = single biax, CFQ = double biax, CFT = triple biax

3 Anti-Graffiti Coating Standard

**Example: LL-30-70MH-E17-120-42-BZ**

## Photometric Data



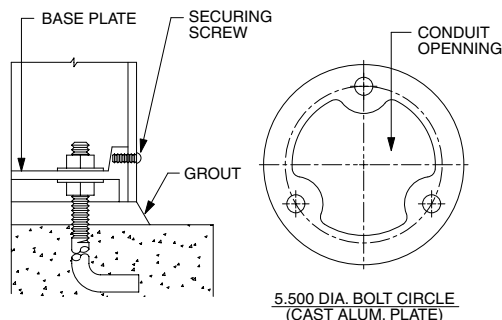
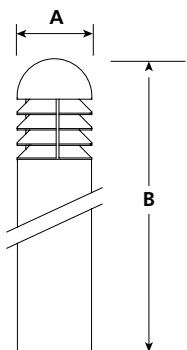
0 3.5 7 10.5

LL30-100MH-BK-42

100 Watt clear metal halide  
 at 42" overall height.

## Luminaire Dimensions

Luminaire	A	B	Weight
LL-30	8"	30"	32#
		36"	
		42"	
LL-31	8"	30"	32#
		36"	
		42"	



Anchor Bolt Size  
 (3) 1/2" x 12" x 3"