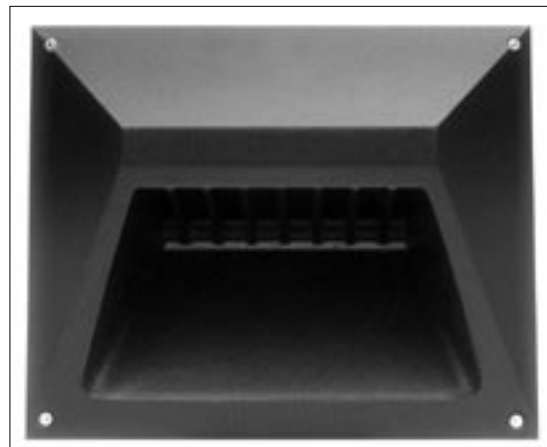


Corrosion resistant die cast aluminum with stainless steel hardware. Concealed tempered glass lens with guard. Standard colors see Finish.



ETL and CETL listed for wet location and concrete pour. The fixture shall meet ADA requirements.

**Product Order Guide**

Series	Max Watts	Lamp Type	Voltage <sup>1</sup>	Finish <sup>1</sup>	Options
SP-30	175 MH	E17	120	BK Black	F Fusing
	150 HPS	E17	208	BZ Bronze	QS Quartz Standby
	(2) 26 CFQ	CFQ <sup>2</sup>	240	WH White	EMG Emergency Battery Backup
	(2) 42 CFT	CFT <sup>2</sup>	277	GR Green	
	(2) 13 CF	CF <sup>2</sup>		NA Natural Aluminum	
	18 LPS	T17		GY Gray	
				CC Custom Color	

<sup>1</sup> Consult factory for other colors and voltages

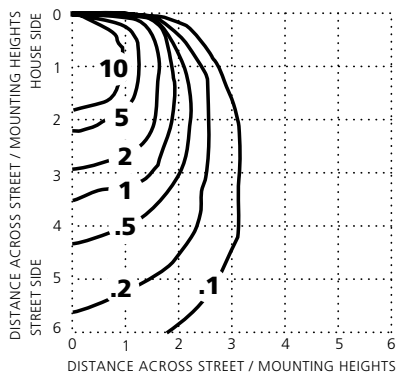
<sup>2</sup> CF = single biax, CFQ = double biax, CFT = triple biax

**Example: SP-30-150MH-E17-120-BK**

**Photometric Data**

Conversion Factors

Lamp Type	Lumens	Mounting Height				
		2.00	3.00	4.00	5.00	6.00
175W CTD MH	15000	4.00	1.78	1.00	0.64	0.44
100W CTD MH	8500	2.27	1.01	0.57	0.36	0.25
70W CTD MH	5300	1.41	0.63	0.35	0.23	0.16
150W CTD HPS	15000	4.00	1.78	1.00	0.64	0.44
100W CTD HPS	8800	2.35	1.04	0.59	0.38	0.26
70WCTD HPS	5950	1.59	0.71	0.40	0.25	0.18



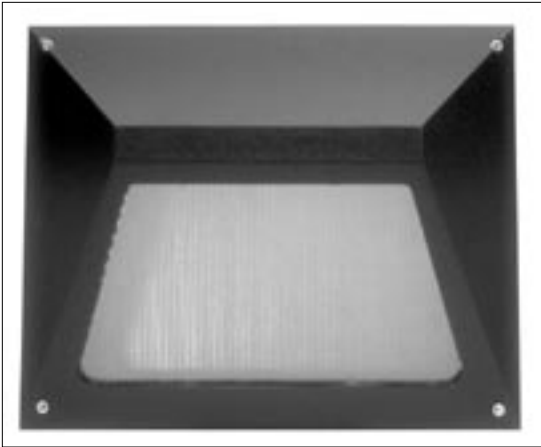
SP-30-175MH  
w/coated lamp (CTD)  
4' Mounting Height  
ISOLUX Curve—value in initial footcandles

PROJECT
FIXTURE TYPE
CATALOG#

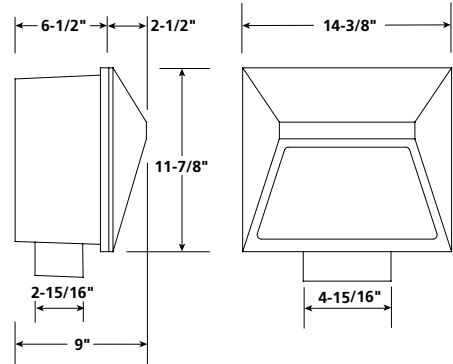
<b>PROJECT</b>
<b>FIXTURE TYPE</b>
<b>CATALOG#</b>

2930 South Fairview Street  
 Santa Ana, CA 92704  
 Phone: 714 668 3660  
 Fax: 714 668 1107  
 allighting@earthlink.net  
 http://www.allighting.com

# SP-31



Corrosion resistant die cast aluminum with stainless steel hardware. Tempered glass lens. Standard colors see Finish. Standard optics is asymmetric. Can be inverted for uplight applications.



**ADA** ETL and CETL listed for wet location and concrete pour. The fixture shall meet ADA requirements.

## Product Order Guide

Series	Max Watts	Lamp Type	Voltage <sup>1</sup>	Finish <sup>1</sup>	Options
SP-31	175 MH	E17	120	BK Black	F Fusing
	150 HPS	E17	208	BZ Bronze	LT Left Throw Optics
	(2) 26 CFQ	CFQ <sup>2</sup>	240	WH White	RT Right Throw Optics
	(2) 42 CFT	CFT <sup>2</sup>	277	GR Green	QS Quartz Standby
	(2) 13 CF	CF <sup>2</sup>		NA Natural Aluminum	EMG Emergency Battery Backup
	18 LPS	T17		GY Gray	
				CC Custom Color	

<sup>1</sup> Consult factory for other colors and voltages

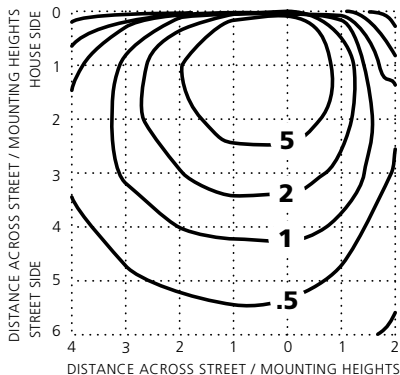
<sup>2</sup> CF = single biax, CFQ = double biax, CFT = triple biax

## Example: SP-31-100MH-E17-120-BK-LT

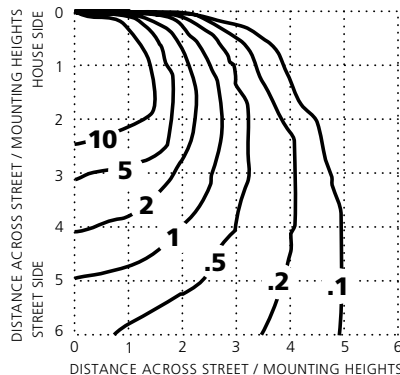
## Photometric Data

Conversion Factors

Lamp Type	Lumens	Mounting Height				
		2.00	3.00	4.00	5.00	6.00
175W CLR MH	14000	4.00	1.70	1.00	0.64	0.44
100W CLR MH	8500	2.43	1.08	0.61	0.39	0.27
70W CLR MH	5500	1.57	0.70	0.39	0.25	0.17
150W CLR HPS	16000	4.00	1.78	1.00	0.64	0.44
100W CLR HPS	9500	2.71	1.21	0.68	0.43	0.30
70W CLR HPS	6450	1.83	0.81	0.46	0.29	0.20



SP-31-175MH-CLR-RT  
 w/clear lamp (CLR)  
 4' Mounting Height  
 ISOLUX Curve—value in initial footcandles



SP-31-175MH  
 w/clear lamp (CLR)  
 4' Mounting Height  
 ISOLUX Curve—value in initial footcandles