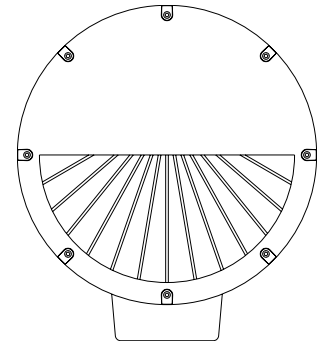


INSTALLATION SHEET

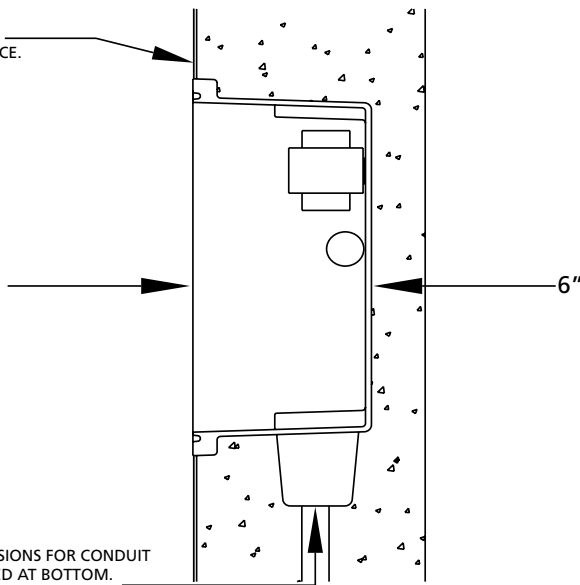
Safety, Warnings and Suggestions

- ¹ **Avoid** installing fixtures in locations where water collects and stands for prolonged periods.
- ² **Make** sure that electrical power is disconnected before any work is performed.
- ³ **All** wiring and installation should meet local, state and national electrical codes.



SP-28

BACK BOX SHOULD BE FLUSH TO WALL SURFACE.

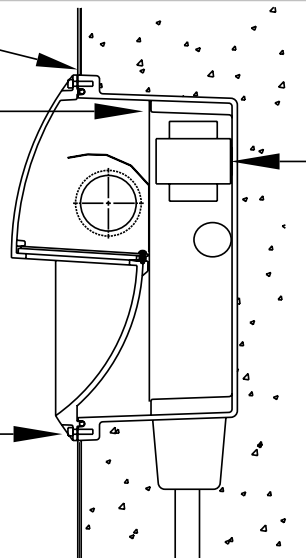


(2) PROVISIONS FOR CONDUIT PROVIDED AT BOTTOM.

FACEPLATE SHOULD BE FLUSH TO WALL SURFACE.

PROVISION FOR MOUNTING BALLAST TRAY COVER.

FACEPLATE MOUNTING SCREWS.



BALLAST ASSEMBLY SHOULD BE MOUNTED DIRECTLY TO BACK BOX.

1. Remove faceplate and internal reflector. Ballast assembly must be left attached to back box. Make sure all hardware is carefully saved until needed.
2. Connect conduit to the provisions on the bottom of the back box. See illustration for details.
3. Once the conduit has been connected, secure back box to wall opening or any mounting provisions being used to hold box in place. Make sure that back box is flush to wall or to any other mounting provisions being used. See installation sheet for details.
4. After all preparations to wall have been finished, carefully clean out any dirt left inside of back box.
5. Carefully make all necessary connection using UL listed connectors.
6. Install and secure reflector assembly to back box with hardware provided. Make sure to install proper lamp source as designated on lamp label.
7. Install face plate onto back box by using screws provided. Safely tighten all screws on faceplate to ensure a good seal all around gasket area. Once face plate has been tightened, make sure it is flush to the mounting surface. See illustration for details.