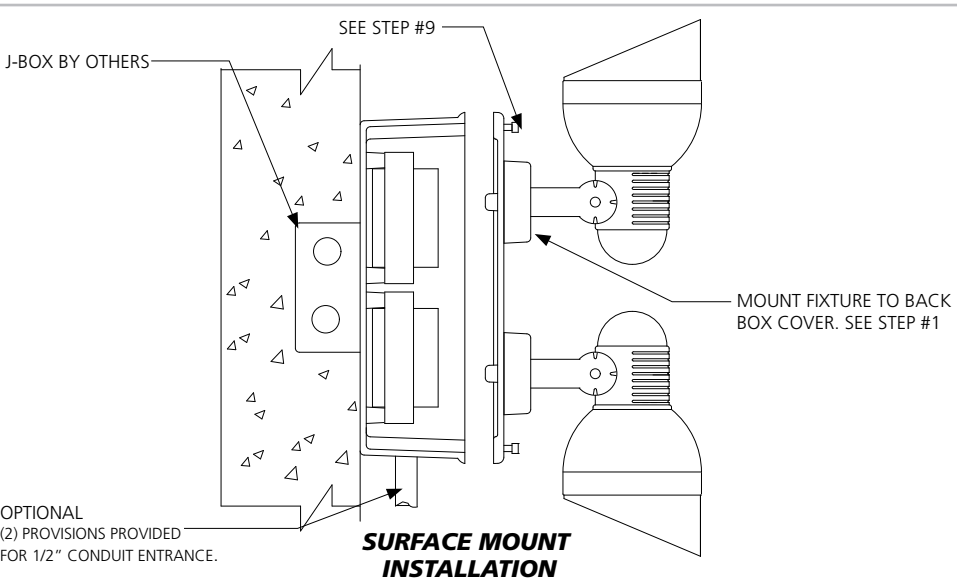
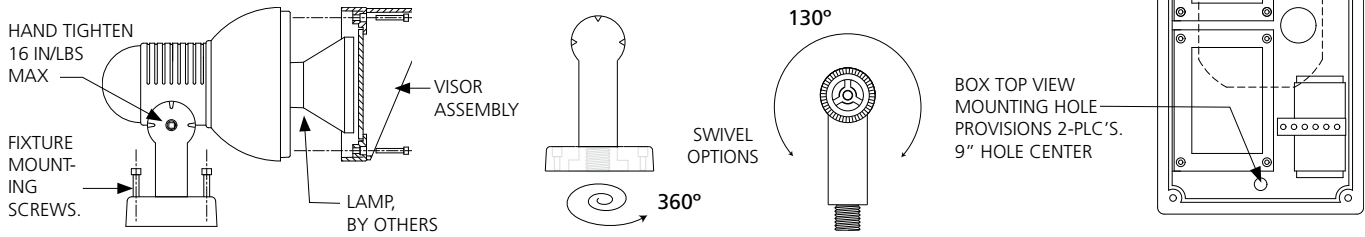


Safety, Warnings and Suggestions

- 1 **Care** should be taken not to position fixtures in locations where bare skin can come into contact with the potentially high temperatures on the lens.
- 2 **Avoid** installing fixtures in locations where water collects and stands for prolonged periods.
- 3 **Make** sure that electrical power is disconnected before any work is performed.
- 4 **All** wiring and installation should meet local, state and national electrical codes.



1. Remove fixtures from package and mount to the BACK BOX COVER with (2)-10-24 cap head screws provided with the fixture.

2. Remove the visor/lens assembly by unscrewing (4) 6-32 cap head screws. Make sure all hardware is carefully saved until needed.

3. Install the correct lamp type and wattage.

4. Re-install the visor/lens assembly and hand tighten the four (4) 6-32 cap head screws to 10 in/lbs. max.

5. Position the box on the mounting surface area and secure to surface with two-1/4-20 bolts, bolts by others. (SURFACE MOUNT ONLY).

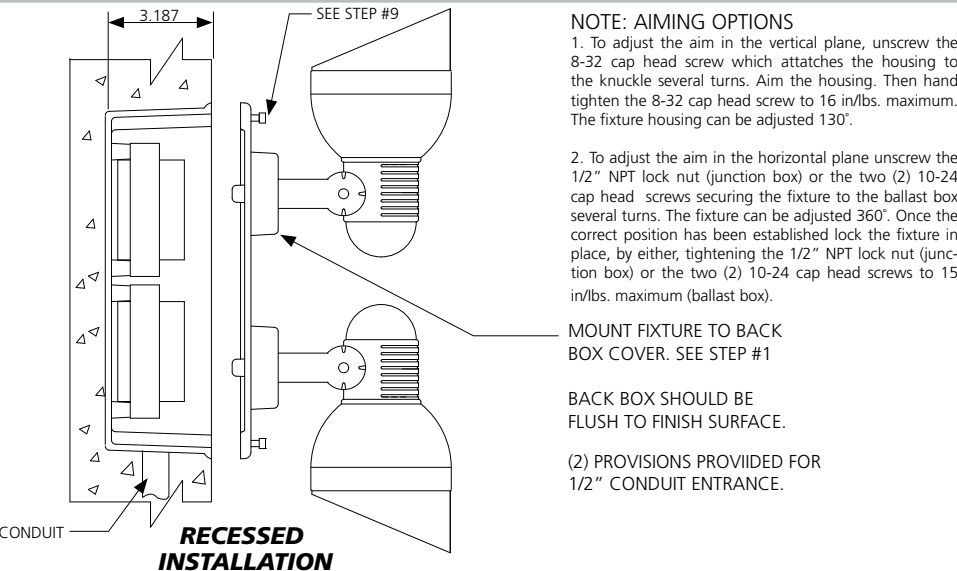
5A. Connect the conduit to the provisions on the back box. See installation details. (RECESSED ONLY)

6. Once the conduit has been connected, Secure back box to wall opening or any mounting provisions being used to hold box in place. Make sure that back box is flush to the finish surface level.

7. After all preparations to wall have been finished, carefully clean out any dirt left inside of the back box. (RECESSED ONLY)

8. Carefully make all necessary connection using UL listed connectors.

9. Install the back box cover with the fixtures mounted to it with three-(4) 8-32 cap head screws provided with the fixture.



NOTE: AIMING OPTIONS

1. To adjust the aim in the vertical plane, unscrew the 8-32 cap head screw which attaches the housing to the knuckle several turns. Aim the housing. Then hand tighten the 8-32 cap head screw to 16 in/lbs. maximum. The fixture housing can be adjusted 130°.

2. To adjust the aim in the horizontal plane unscrew the 1/2" NPT lock nut (junction box) or the two (2) 10-24 cap head screws securing the fixture to the ballast box several turns. The fixture can be adjusted 360°. Once the correct position has been established lock the fixture in place, by either, tightening the 1/2" NPT lock nut (junction box) or the two (2) 10-24 cap head screws to 15 in/lbs. maximum (ballast box).

MOUNT FIXTURE TO BACK BOX COVER. SEE STEP #1

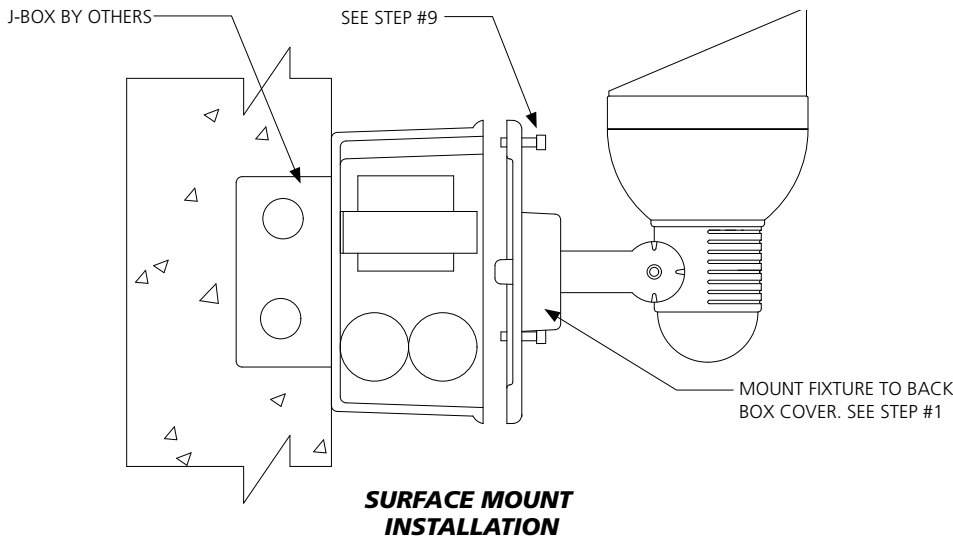
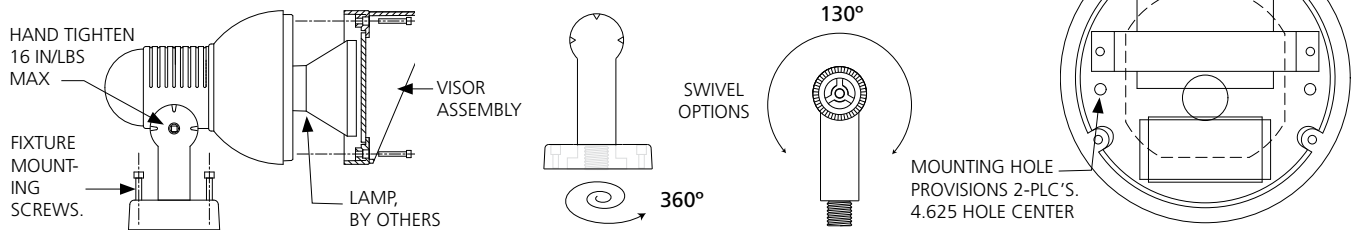
BACK BOX SHOULD BE FLUSH TO FINISH SURFACE.

(2) PROVISIONS PROVIDED FOR 1/2" CONDUIT ENTRANCE.

2930 South Fairview Street
Santa Ana, CA 92704
Phone: 714 668 3660
Fax: 714 668 1107
Email: sales@allscope.net

Safety, Warnings and Suggestions

- ¹ Care should be taken not to position fixtures in locations where bare skin can come into contact with the potentially high temperatures on the lens.
- ² Avoid installing fixtures in locations where water collects and stands for prolonged periods.
- ³ Make sure that electrical power is disconnected before any work is performed.
- ⁴ All wiring and installation should meet local, state and national electrical codes.



1. Remove fixture from package and mount to the BACK BOX COVER with (2)-10-24 cap head screws provided with the fixture.

2. Remove the visor/lens assembly by unscrewing (4) 6-32 cap head screws. Make sure all hardware is carefully saved until needed.

3. Install the correct lamp type and wattage.

4. Re-install the visor/lens assembly and hand tighten the four (4) 6-32 cap head screws to 10 in/lbs. max.

5. Position the box on the mounting surface area and secure to surface with two-1/4-20 bolts, bolts by others. (SURFACE MOUNT ONLY).

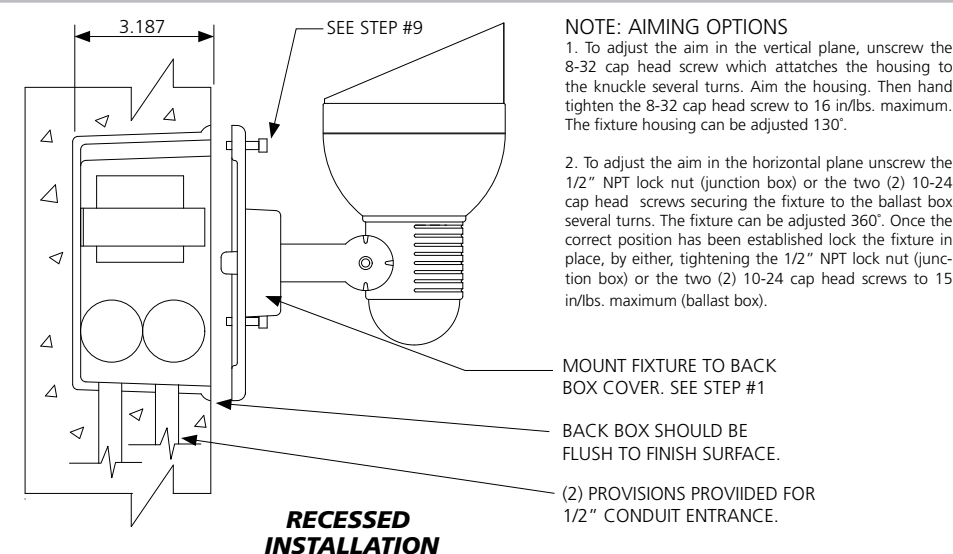
5A. Connect the conduit to the provisions on the back box. See installation details. (RECESSED ONLY)

6. Once the conduit has been connected, Secure back box to wall opening or any mounting provisions being used to hold box in place. Make sure that back box is flush to the finish surface level.

7. After all preparations to wall have been finished, carefully clean out any dirt left inside of the back box. (RECESSED ONLY)

8. Carefully make all necessary connection using UL listed connectors.

9. Install the back box cover with the fixture mounted to it with three-(3) 8-32 cap head screws provided with the fixture.



NOTE: AIMING OPTIONS

1. To adjust the aim in the vertical plane, unscrew the 8-32 cap head screw which attaches the housing to the knuckle several turns. Aim the housing. Then hand tighten the 8-32 cap head screw to 16 in/lbs. maximum. The fixture housing can be adjusted 130°.

2. To adjust the aim in the horizontal plane unscrew the 1/2" NPT lock nut (junction box) or the two (2) 10-24 cap head screws securing the fixture to the ballast box several turns. The fixture can be adjusted 360°. Once the correct position has been established lock the fixture in place, by either, tightening the 1/2" NPT lock nut (junction box) or the two (2) 10-24 cap head screws to 15 in/lbs. maximum (ballast box).

MOUNT FIXTURE TO BACK BOX COVER. SEE STEP #1

BACK BOX SHOULD BE FLUSH TO FINISH SURFACE.

(2) PROVISIONS PROVIDED FOR 1/2" CONDUIT ENTRANCE.