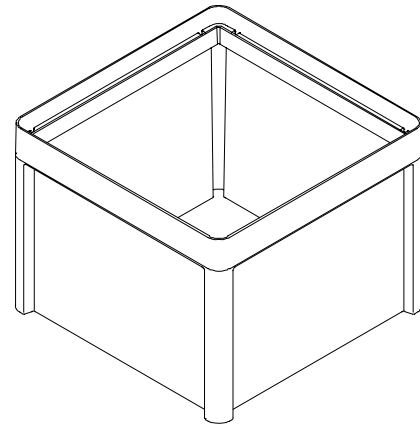


# File Container

## Customer Needs:

The File Container is a cost-effective way to house large collections of information and reference materials. This new system of mobile storage containers by Details helps individuals and teams better manage and organize their information. Organize the way you like; store where and how it works for you; and find what you need faster whether in your office or on the go.



## Product Features

Style Numbers:

WFILE – File Container

- Size: W13-1/8" x H10-3/8" x D13-1/8"
- Color: Frost translucent.
- Construction:
  - o Top rim: Injection-molded ABS plastic for quality and durability.
  - o Container: Injection-molded translucent engineering resin for quality and durability.
- Application: Stores on a Details Simple Trolley, in Steelcase Universal Storage Towers, on shelves and binder bins, or on any flat surface. Stacks on top of one another up to three high.
- Maximum Weight Load: 35 lbs.
- Warranty: 10 years.
- Holds letter size Pendaflex folders on inside rails.
- Fits on Details Simple Trolley for under worksurface storage with easy access.
- Also fits in Steelcase Universal Storage System products, including towers, bookcases, binder bins and open shelves.
- Built in ledge on File Container acts as handles and allows easy transport.
- Ships with two stick-on business card size label holders for easy content identification.

For further information, please go to the Details website [details-worktools.com](http://details-worktools.com)  
or call 800.833.0411

P.O. Box 1967 / CD-5E Grand Rapids, MI 49501-1967  
©2009 Steelcase Inc. All rights reserved. 4/10