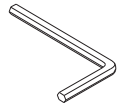
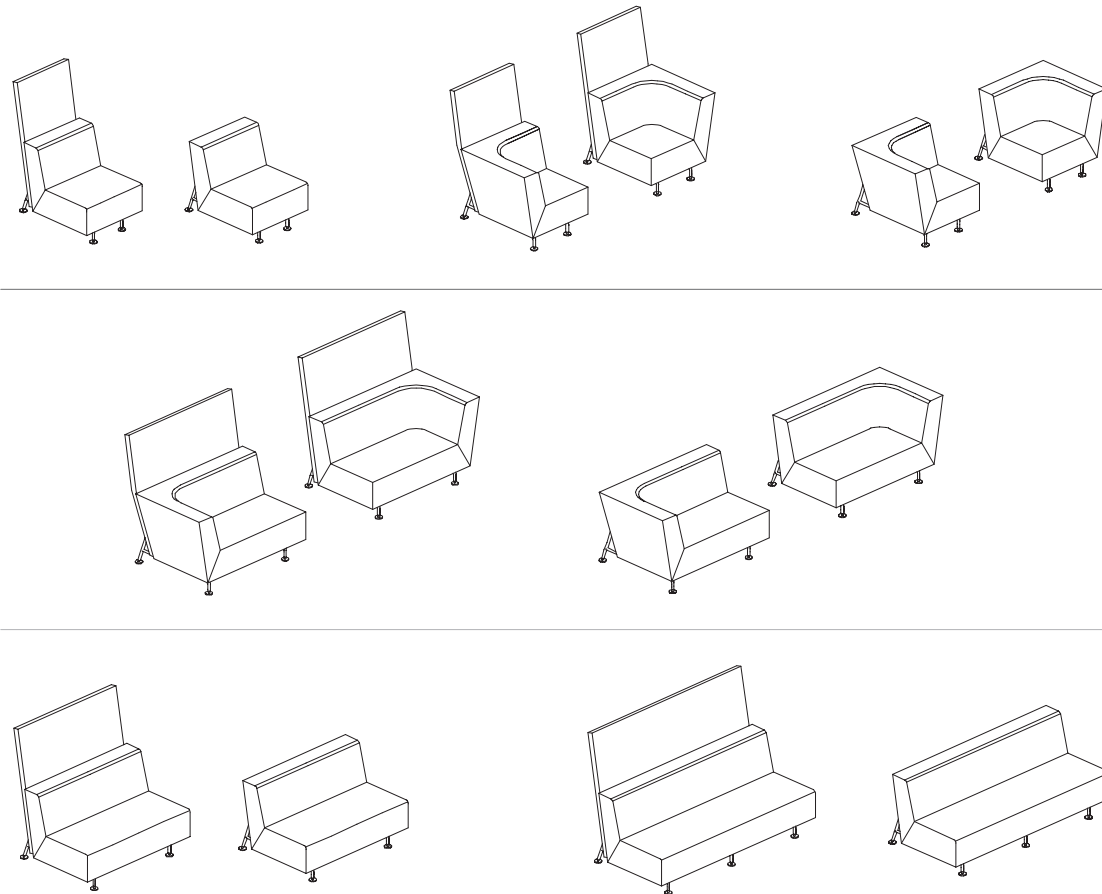


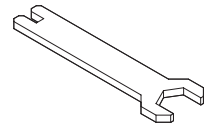
Bix™ Seating Installation Instructions

Please feel free to contact
Metro Customer Service with
any questions or concerns:
510.567.5200

www.metrofurniture.com



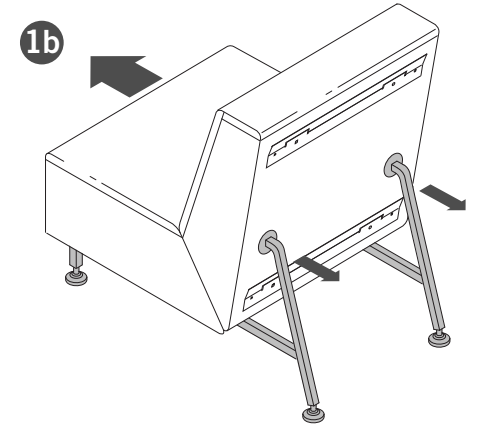
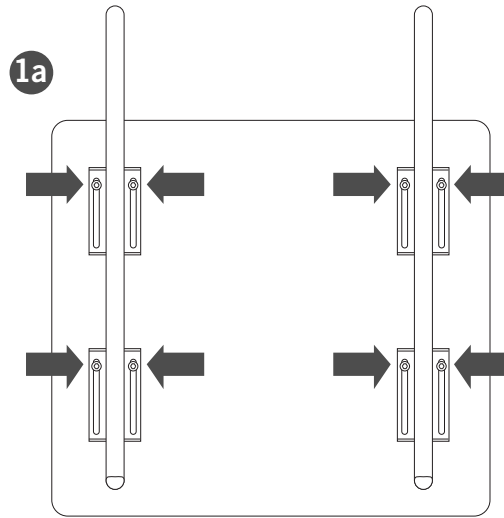
**Hex Key-M4
Part No. 804022**



**Combo Wrench
Part No. SA-TOOL00001**

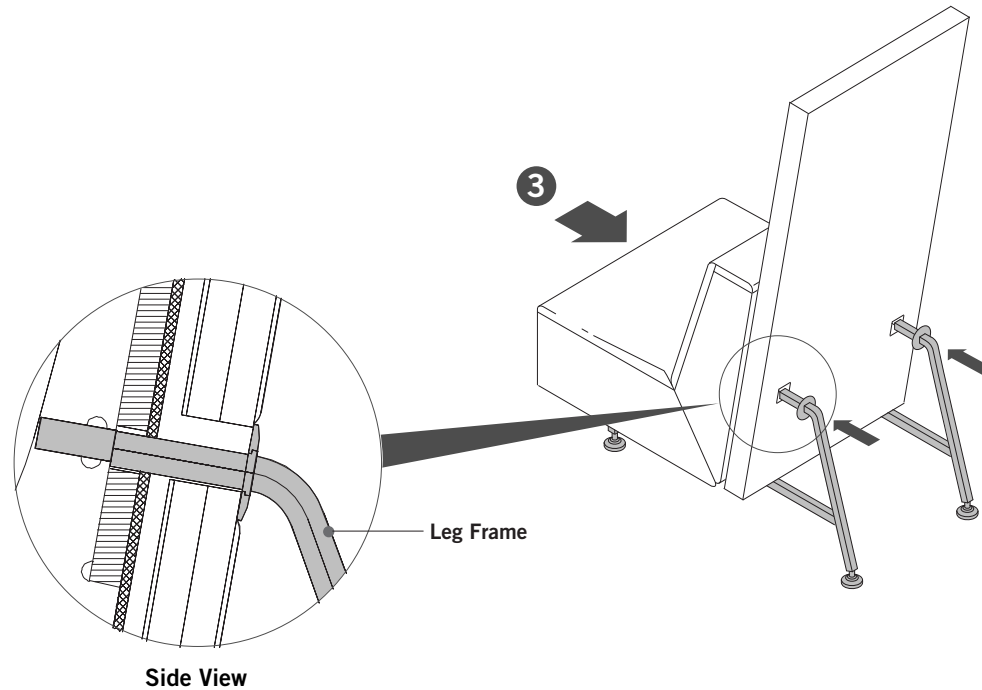
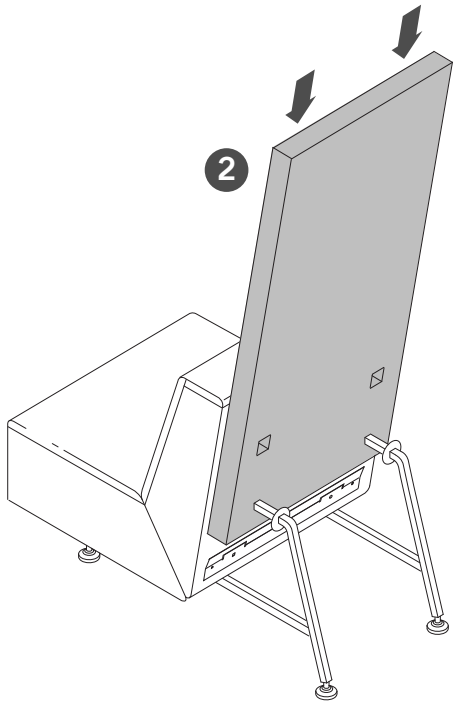
Back panel installation

1. Using the hex key supplied, loosen fasteners (8 places) under seat (1a). Pull leg frames out toward the back (1b).
2. Insert back panel to engage steel cleats.
3. Push leg frames into seat through the holes on back panel. Tighten fasteners under seat.

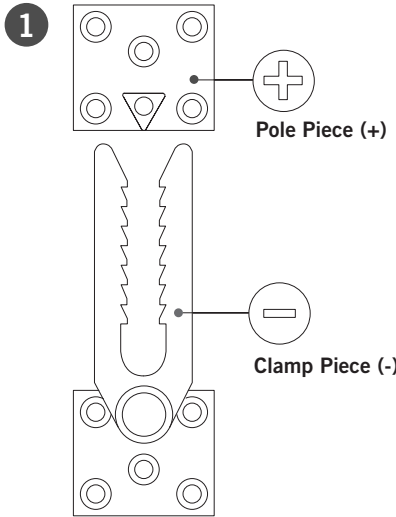


Underside Of Chair

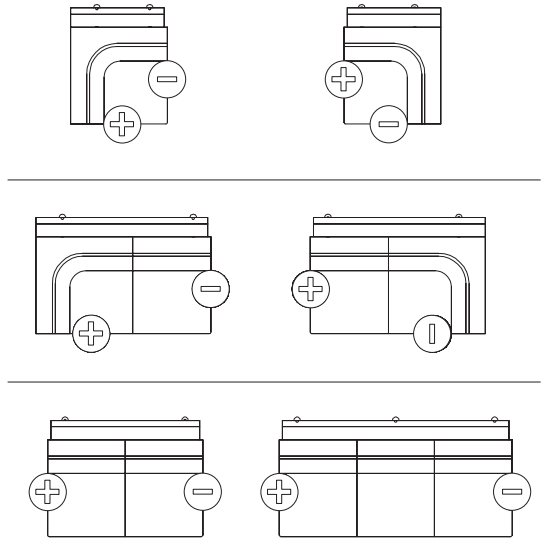
NOTE: Hex Key-M4 used to loosen (8) bolts.



Ganging Device



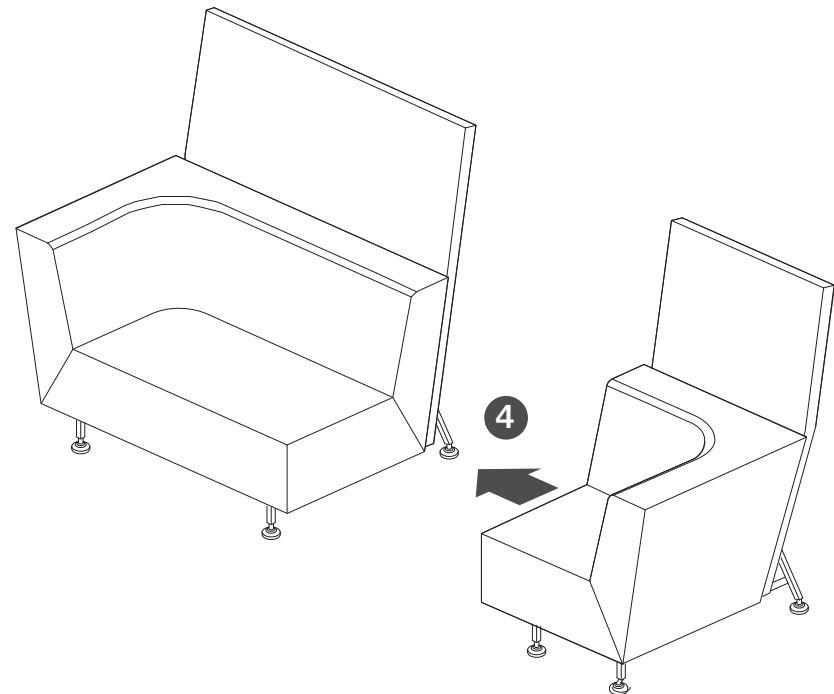
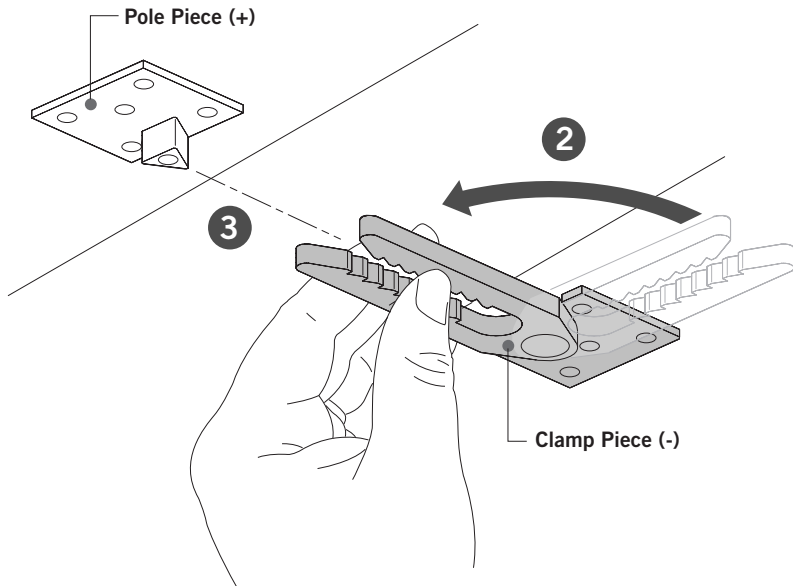
Possible Configurations



Ganging

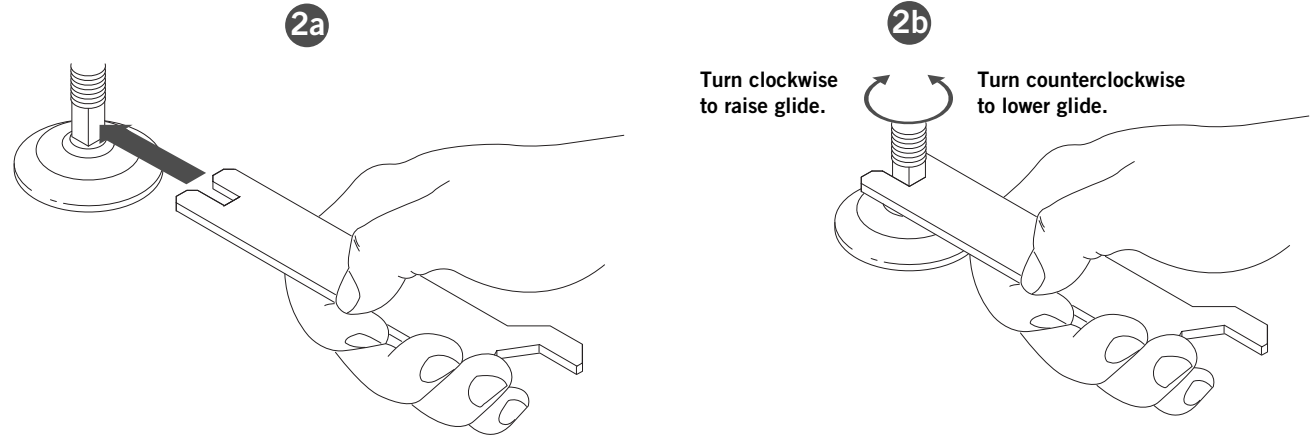
1. The ganging device (part no. 679300) is installed under the seat. It consists of two pieces, one clamp piece (-) and one pole piece (+), one on each end of the chair.
2. Rotate outward the toothed piece of the clamp. Ensure it is straight.
3. Align it to the pole piece on the other chair.
4. Push either chair until they are closed.

**View of Ganging Device
looking up from underneath chairs**



Glide adjustment

1. The chair should be leveled by adjusting the glides using the wrench supplied. (part no. SA-TOOL00001)
2. Place the smaller end of the wrench across the flats on the glide stem, turn clockwise to raise and counterclockwise to lower.



Configuration Guidelines

1. The space relationship between the seating and the table should be 96 to 99 inches.
2. The space relationship for leg clearance (with the table base centered) should be 24 to 27 inches.

