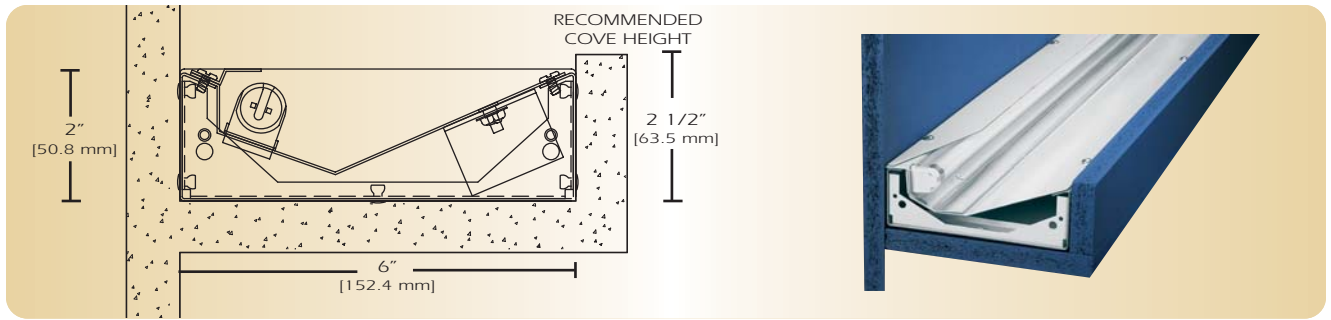


# Perimeter

ITG-26



TYPE \_\_\_\_\_

FEATURES

The ITG was designed specifically for concealed cove and wall mounted applications. The three-part reflector system provides uniform brightness and eliminates socket shadows. The ITG provides easy installation and maximum efficiency for general illumination and accent lighting.

SPECIFICATIONS

**Housing:** Die formed 20-gauge cold rolled steel riveted construction forming a 2" x 6" rectangular profile. Matching end caps are 20-gauge cold rolled steel. The exposed fixture housing is of welded construction. Finished end caps have no exposed hardware or knockouts.

**Reflector:** The front reflector is die formed 20-gauge cold rolled steel finished in high gloss white enamel, rear curved reflector is .025 specular anodized aluminum. The straight reflector lamp shield is 20-gauge cold rolled steel of high gloss white enamel.

**Electrical:** Ballast is electronic, high power factor, thermally protected class P, sound rated A, with less than 10% total harmonic distortion. The minimum number of ballast will be used unless otherwise specified.

**Mounting:** All housings are supplied with 7/8" knockouts and key slot mounting holes. See linear and installation section for more details.

**Finish:** Fixture housing and steel components are finished in baked white enamel over a 5 stage pretreatment process.

**Lamps:** For use with one or two T5 and T5 HO fluorescent lamps. (Supplied by others.)

**Certification:** Luminaires are U. L. Listed, C. S. A. certified and are Union Made in the United States of America I.B.E.W.

ORDERING GUIDE

MODEL NO.	DIRECTION	LAMPS	MOUNTING	LENGTH	FINISH	VOLTAGE	OPTIONS
<b>ITG-26</b>	<b>I</b>	<b>128 T5</b> <b>228 T5</b> <b>154T5 HO</b> <b>254T5 HO</b>	<b>CS= Concealed</b> <b>EX= Exposed</b>	<b>2= ft</b> <b>3= ft</b> <b>4= ft</b> <b>6= ft</b> <b>8= ft</b>	<b>W= White</b> <b>CC= Custom Color</b>	<b>120v</b> <b>277v</b>	<b>See Options Below</b>
		<b>O=Other Specify</b>	<b>See Accessories</b>	<b>for other, please enter row length (eg. 48=48ft)</b>			

Example: **ITG26-I-154T5 HO-CS-4-W-120V**

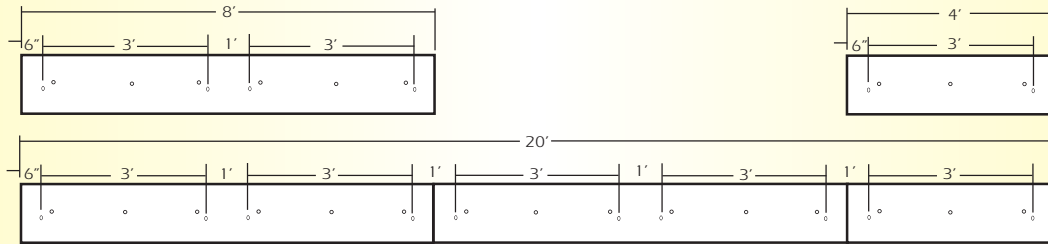
ITG26 indirect with one 54 watt T5 lamps concealed application four foot fixture finished in baked white enamel 120v electronic ballast less than 10% total harmonic distortion.

OPTIONS

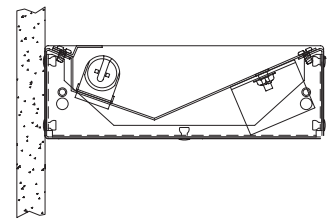
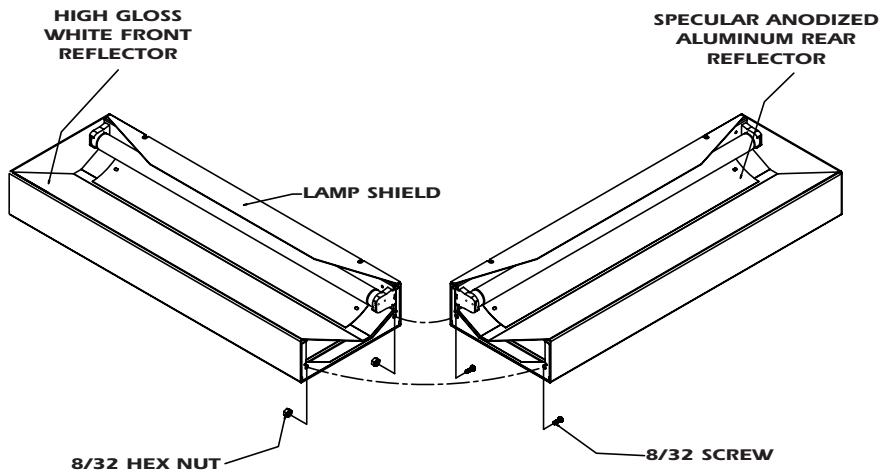
- DIM=** Dimming Ballast
- EPC=** Emergency Battery Pack
- EMC=** Emergency Circuit
- TCW=** Two Circuit Wiring
- TDW=** Tandem Wiring
- OTH=** See Accessories for other options available

LINEAR SECTIONS AND SUSPENSION LOCATION

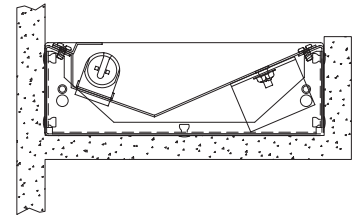
### CONCEALED COVE AND EXPOSED WALL MOUNTING



INSTALLATION PREPARATION

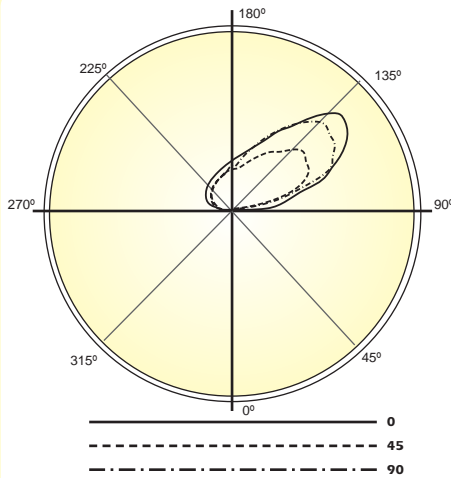


EXPOSED MOUNTING



CONCEALED MOUNTING

PHOTOMETRY



LAMP (1) 28W T5  
LUMENS: 2900 PER LAMP

### Candela Distribution:

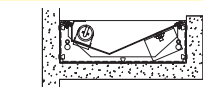
Vert. Angle	0	45	90	135	180
90	28.9	132	207	130	30.4
95	117	357	449	357	112
100	192	683	773	685	184
105	221	980	1088	983	215
110	241	1166	1495	1154	238
115	255	1257	1609	1267	249
120	259	1272	1719	1294	263
125	290	1312	1734	1315	276
130	311	1235	1763	1219	314
135	314	1080	1650	1124	336
140	335	994	1478	977	343
145	375	879	1283	876	374
150	401	760	1085	758	401
155	407	656	891	672	404
160	432	579	730	586	450
165	445	552	589	568	420
170	438	526	584	555	436
175	499	499	505	516	442
180	452	452	452	452	452

Optical Distribution:  
Indirect

### Coefficients of Utilization - Zonal Cavity Method:

pfc = 0.20

	.8	.7	.5	.3	.1	0
pcc	.8	.7	.5	.3	.1	0
pw	.7 .5 .3 .1	.7 .5 .3 .1	.5 .3 .1	.5 .3 .1	.5 .3 .1	0
RCR						
0	58 58 58 58	50 50 50 50	34 34 34	19 19 19	6 6 6	0
1	53 51 48 46	45 43 41 40	29 28 27	17 16 16	5 5 5	0
2	48 44 41 38	41 38 35 33	26 24 23	15 14 13	4 4 4	0
3	44 39 34 31	37 33 30 27	23 20 19	13 12 11	4 3 3	0
4	40 34 29 26	34 29 25 23	20 18 16	11 10 9	3 3 3	0
5	37 30 25 22	31 26 22 19	18 15 13	10 9 8	3 2 2	0
6	33 27 22 19	28 23 19 16	16 13 11	9 8 7	3 2 2	0
7	31 24 19 16	26 20 17 14	14 12 10	8 7 6	2 2 2	0
8	28 21 17 14	24 18 15 12	13 10 8	7 6 5	2 2 1	0
9	26 19 15 12	22 17 13 11	11 9 7	6 5 4	2 1 1	0
10	24 17 13 11	21 15 12 9	10 8 6	6 4 4	2 1 1	0



Total Luminaire Optical Efficiency = 62.2%