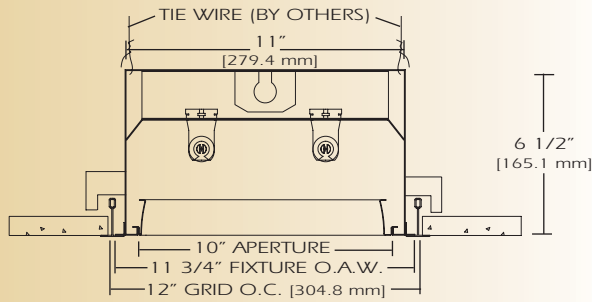


Perimeter

C - P N R



TYPE _____

FEATURES

The C PNR center trough system is designed to produce even illumination and disperses lamp imaging and socket shadows with its internal stagger lamp. The C PNR is designed to provide continuous lighting with its internal telescopic element for grid lengths in foot increments. The C PNR series is engineered to provide easy installation for this specific architectural cover requirement.

SPECIFICATIONS

Housing: One piece fully assembled die formed 20-gauge cold rolled steel fixture is 6 1/2" x 11 3/4". Standard lengths are up to 8 feet. Mounting rail on fixture sides allow for clearance of t-bar supporting wires and provides precision alignment for continuous rows. Fixture housings join with alignment brackets for ease of installation.

Shielding: Parabolic louver is semi-specular low iridescence aluminum 1 1/4" x 2" O.C. with 24 cells per 4" section.

Reflector: Die formed 20-gauge cold rolled steel minimum 90% reflectivity finished in high gloss baked white enamel.

Electrical: Ballast is electronic, high power factor, thermally protected class P, sound rated A, with less than 20% total harmonic distortion. The minimum number of ballasts will be used unless otherwise specified.

Mounting: Recessed mounting for grid or flange ceilings.

Finish: Fixture housing and steel components are finished in baked white enamel applied over a five-stage pretreatment process.

Lamps: Fixtures are provided for use with one or two staggered 32 watt T8 lamps, 28 watt T5 or 54 watt T5 HO lamps. (Supplied by Others)

Certification: Luminaires are U. L. Listed, C. S. A. certified and are Union Made in the United States of America I.B.E.W.

ORDERING GUIDE

| MODEL NO. | SHIELDING | LAMPS | MOUNTING | LENGTH | FINISH | VOLTAGE | OPTIONS |
|--------------|---|---|---|--|--|----------------------------|--------------------------|
| C PNR | - | - | - | - | - | - | - |
| C PNR | PBL= Parabolic Louver SCB= Steel Cross Baffle PRS= Prismatic Acrylic WOA= White Opal Acrylic | 132T8 232T8 128T5 228T5 154T5 HO 254T5 HO O= Other Specify | G= Grid F= Flange See Accessories | 2 3 4 6 8 for other, please enter row length (eg. 48=48ft) | W= White CC= Custom Color | 120v 277v | See Options Below |

Example: **C-PNR-PBL-232T8-G-4-W-120V**

C PNR with parabolic louver for two 32 watt T8 lamps grid ceiling application four foot fixture finished in baked white enamel 120v electronic ballast less than 20% total harmonic distortion.

OPTIONS

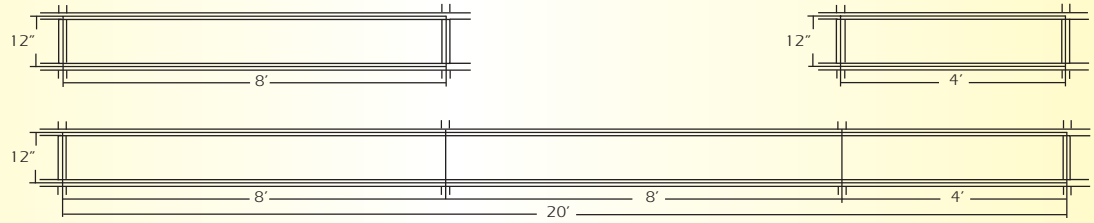
- E10=** Electronic ballast, high power factor, thermally protected class P, sound rated A, < 10% total harmonic distortion
- DIM=** Dimming Ballast
- EPC=** Emergency Battery Pack
- EMC=** Emergency Circuit
- TCW=** Two Circuit Wiring
- TDW=** Tandem Wiring
- OTH=** See Accessories for other options available

Perimeter

C-PNR

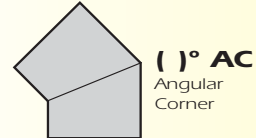
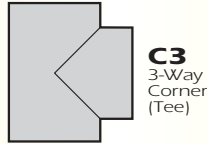
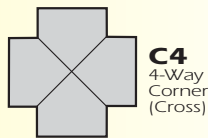
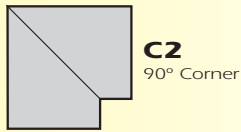
LINEAR SECTIONS AND SUSPENSION LOCATION

SUSPENSION MOUNTING



CORNERS

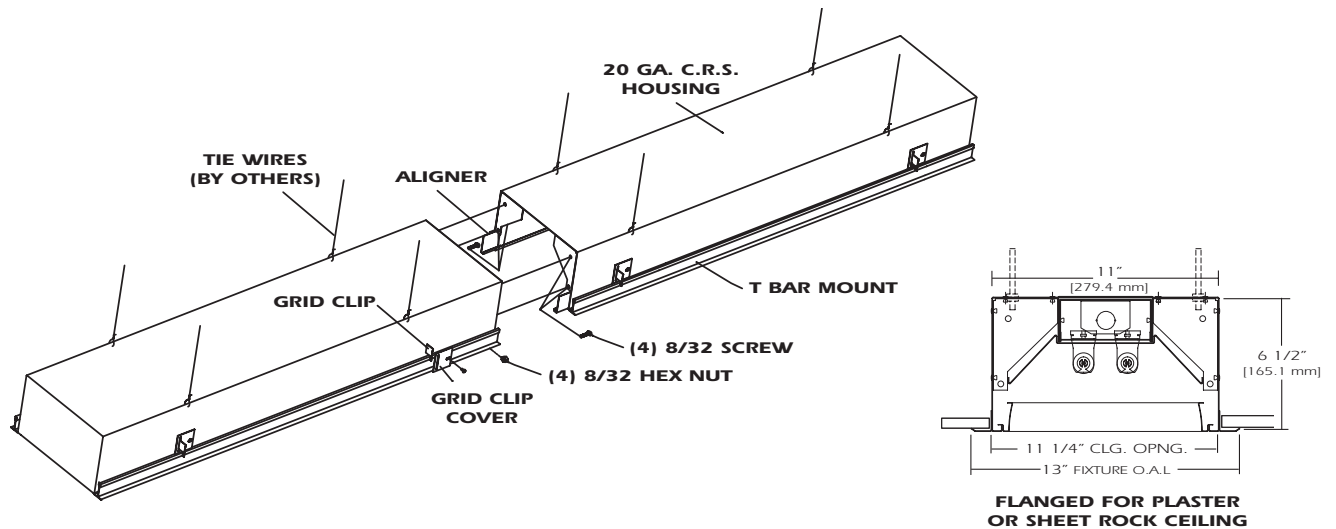
Corners and fixture extensions are custom fabricated to precise dimensions. Please indicate the specific requirements on the layout



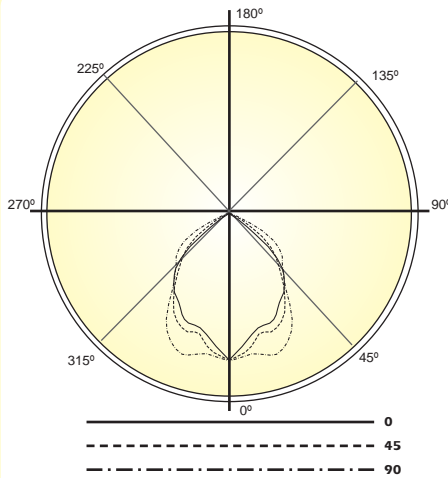
For any angular corner, ()° must be specified and dimensions must be included on the layout

For any pattern, a layout must accompany the order.

INSTALLATION PREPARATION



PHOTOMETRY



LAMP (2) 32W T8
LUMENS: 2900 PER LAMP

Candela Distribution:

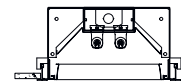
| Vert. Angle | 0 | 22.5 | 45 | 67.5 | 90 |
|-------------|-------|-------|------|------|------|
| 0 | 1430 | 1430 | 1430 | 1430 | 1430 |
| 5 | 1299 | 1336 | 1340 | 1349 | 1341 |
| 10 | 1294 | 1327 | 1308 | 1326 | 1318 |
| 15 | 1230 | 1257 | 1303 | 1351 | 1328 |
| 20 | 1167 | 1253 | 1320 | 1413 | 1413 |
| 25 | 1130 | 1205 | 1279 | 1381 | 1361 |
| 30 | 1048 | 1126 | 1224 | 1225 | 1190 |
| 35 | 912 | 1021 | 1069 | 1020 | 1025 |
| 40 | 807 | 904 | 895 | 830 | 836 |
| 45 | 702 | 767 | 721 | 745 | 757 |
| 50 | 444 | 564 | 596 | 672 | 716 |
| 55 | 126 | 241 | 466 | 586 | 608 |
| 60 | 12.4 | 55.4 | 223 | 446 | 526 |
| 65 | 8.95 | 30.2 | 78.3 | 249 | 320 |
| 70 | 6.04 | 22.7 | 55.7 | 91.6 | 89.2 |
| 75 | 3.78 | 18.5 | 43.2 | 72.8 | 64.8 |
| 80 | 2.58 | 11.0 | 28.2 | 53.3 | 58.0 |
| 85 | 0.840 | 5.32 | 14.5 | 22.6 | 29.1 |
| 90 | 0.230 | 0.880 | 1.41 | 3.33 | 5.76 |

Optical Distribution:
Direct

Coefficients of Utilization - Zonal Cavity Method:

pfc = 0.20

| RCR | .8 | .7 | .5 | .3 | .1 | 0 |
|-----|----|----|----|----|----|----|
| 0 | 58 | 58 | 58 | 58 | 58 | 58 |
| 1 | 54 | 52 | 50 | 49 | 48 | 47 |
| 2 | 50 | 46 | 43 | 41 | 40 | 39 |
| 3 | 46 | 41 | 38 | 35 | 34 | 33 |
| 4 | 42 | 37 | 34 | 31 | 30 | 29 |
| 5 | 39 | 34 | 30 | 27 | 26 | 25 |
| 6 | 36 | 31 | 27 | 24 | 23 | 22 |
| 7 | 34 | 28 | 24 | 21 | 20 | 19 |
| 8 | 32 | 26 | 22 | 19 | 18 | 17 |
| 9 | 30 | 24 | 20 | 17 | 16 | 15 |
| 10 | 28 | 22 | 18 | 16 | 15 | 14 |



Total Luminaire Optical Efficiency = 49.2%