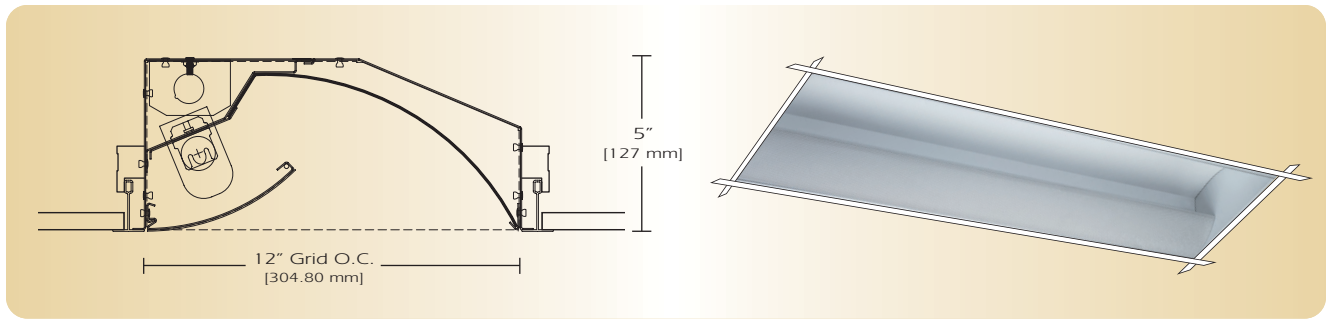


New Age Series

NAS-ERA-14-SP



TYPE _____

FEATURES

The NAS-ERA is one variation of a complete group of Recessed Direct luminaires featuring a metal perforated lamp shield with an acrylic overlay to obscure direct lamp image. The perforated lamp shield is asymmetrically positioned above the ceiling plane. Lamp output is distributed over a computer designed reflector system to provide soft glare-free illumination. The NAS-ERA series can be used in any installation where high performance and comfortable lighting are required.

SPECIFICATIONS

- Housing:** Die formed 20-gauge cold rolled steel finished in baked white enamel. Housing has an access plate on top with two 7/8" diameter knockouts.
- Shielding:** Die formed 20 gauge perforated steel lamp shield has a 41% opening with white acrylic .020 translucent overlay. The hinged lamp shield is removable for easy lamp access.
- Reflector:** Die formed .020 semi-specular aluminum highly reflective with low glare.
- Electrical:** Ballast is electronic, high power factor, thermally protected class P, sound rated A, with less than 20% total harmonic distortion. The minimum number of ballasts will be used unless otherwise specified.
- Mounting:** Standard installation is 1 x 4 exposed inverted T-bar ceiling. Optional trims are also available for installations in miniature grid, drywall or plaster ceiling. For mounting detail information consult factory. Four support brackets are included with each fixture.
- Finish:** Fixture housing and steel components are finished in baked white enamel applied over a five-stage pretreatment process.
- Lamps:** Fixtures are provided for use with two 40 or 50 watt compact fluorescent or one 32 watt T8 lamps. (Supplied by Others)
- Certification:** Luminaires are U. L. Listed, C.S.A. certified and are Union Made in the United States of America I.B.E.W.

ORDERING GUIDE

MODEL NO.	LAMPS	SIZE	MOUNTING	FINISH	VOLTAGE	OPTIONS
NAS-ERA-SP	-	14	-	-	-	-
NAS-ERA-SP	240-CF 250-CF 132-T8	14= 1X4	G= Standard Lay-in Grid MG= Miniature Grid F= Flanged	W= White CC= Custom Color	120v 277v	See Options Below
	O= Other Specify					

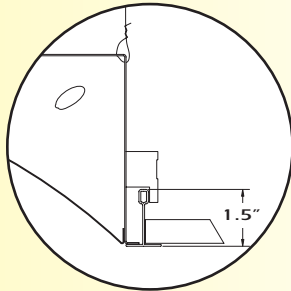
Example: **NAS-ERA-SP-132T8-14-G-W-277**
 New Age Series with perforated lamp shield and semi-specular reflector one 32 watt T8 fluorescent 1 x 4 grid fixture finished in baked white enamel 277 volt electronic ballast less than 20% harmonics

OPTIONS

- E10=** Electronic ballast, high power factor, thermally protected class P, sound rated A, <10% total harmonic distortion
- DIM=** Dimming Ballast
- EPC=** Emergency Battery Pack
- EMC=** Emergency Circuit
- ARS=** Air return system
- FWH=** Flexible wiring harness
- OTH=** See Accessory Section for other options available

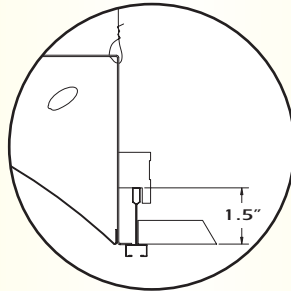
LINEAR SECTIONS AND SUSPENSION LOCATION

MOUNTING "G"



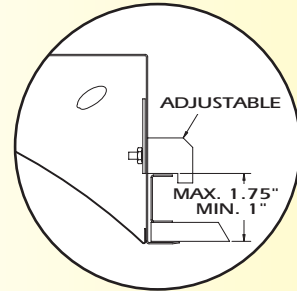
STD. 1 1/2" INVERTED "T" BAR

MOUNTING "MG"



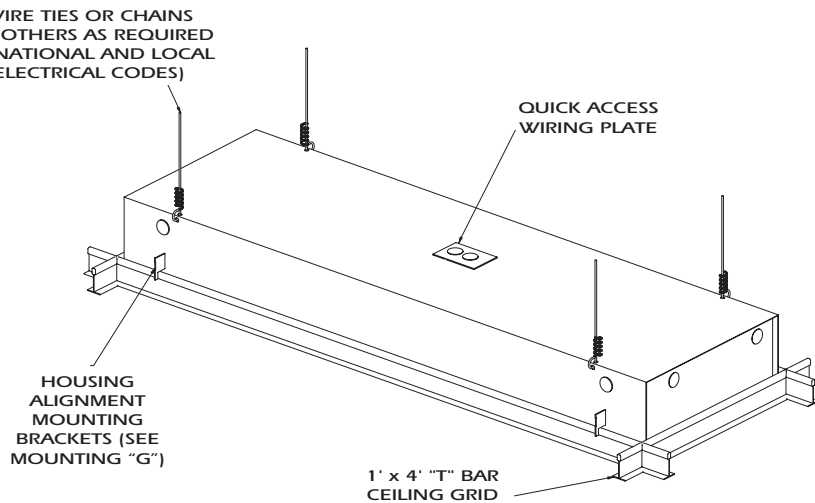
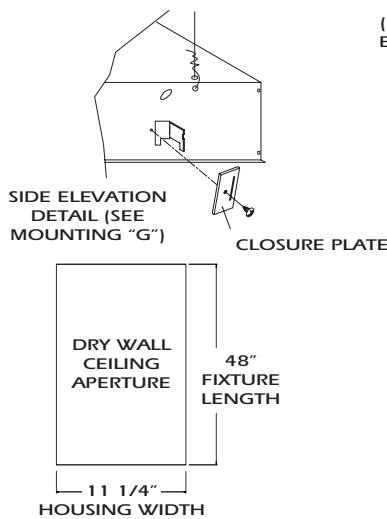
1 1/2" MINIATURE GRID CEILING

MOUNTING "F"

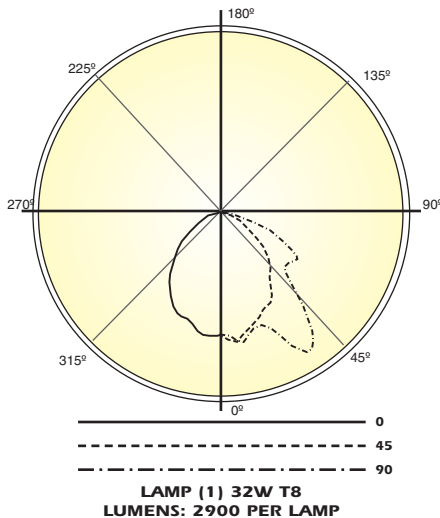


PLASTER OR DRY WALL CEILING

INSTALLATION PREPARATION



PHOTOMETRY



Candela Distribution:

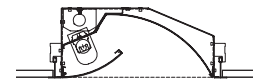
Vert. Angle	0	22.5	45	67.5	90
0	758	758	758	758	758
5	801	713	770	746	762
10	789	781	761	791	818
15	732	707	741	764	766
20	700	740	725	707	743
25	656	680	698	764	800
30	644	643	710	896	986
35	552	606	762	955	1016
40	487	550	823	855	863
45	443	510	750	706	641
50	374	485	598	561	532
55	284	445	437	489	545
60	212	373	377	500	560
65	162	306	386	459	455
70	127	227	311	327	317
75	108	165	214	147	117
80	90.1	106	69.8	48.7	44.9
85	50.6	34.5	20.0	22.2	19.9
90	7.28	3.48	2.25	3.47	2.47

Optical Distribution:
100% Direct

Coefficients of Utilization - Zonal Cavity Method:

pfc = 0.20

	.8	.7	.5	.3	.1	0
0	72	72	72	72	70	70
1	66	63	60	58	64	61
2	60	55	51	47	58	54
3	54	48	43	40	53	48
4	50	43	38	34	49	42
5	46	38	33	29	45	38
6	42	35	29	25	41	34
7	39	31	26	22	38	31
8	37	29	24	20	36	28
9	34	26	21	18	33	26
10	32	24	20	16	31	24



Total Luminaire Optical Efficiency = 60.4%