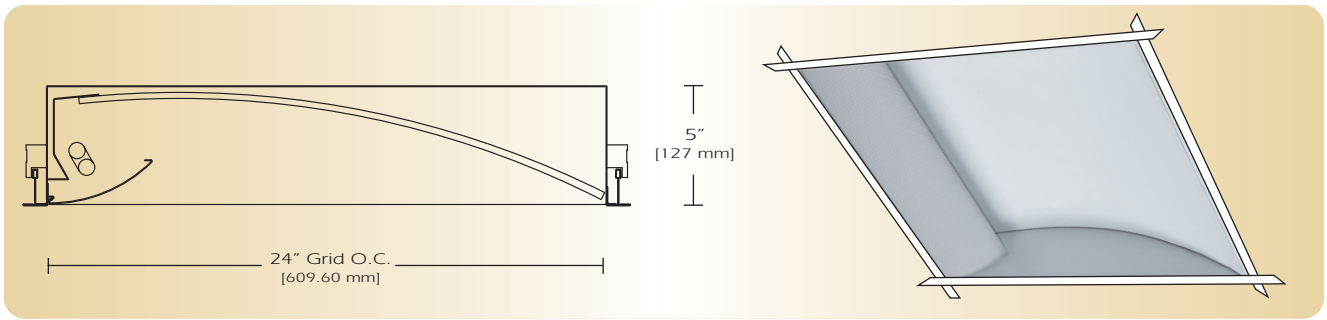


# New Age Series

NAS-ERA-22-SP



TYPE \_\_\_\_\_

FEATURES

The NAS-ERA is one variation of a complete group of Recessed Direct luminaires featuring a metal perforated lamp shield with an acrylic overlay to obscure direct lamp image. The perforated lamp shield is asymmetrically positioned above the ceiling plane. Lamp output is distributed over a computer designed reflector system to provide soft glare-free illumination. The NAS-ERA series can be used in any installation where high performance and comfortable lighting are required.

SPECIFICATIONS

- Housing:** Die formed 20-gauge cold rolled steel finished in baked white enamel. Housing has an access plate on top with two 7/8" diameter knockouts.
- Shielding:** Die formed 20 gauge perforated steel lamp shield has a 41% opening with white acrylic .020 translucent overlay. The hinged lamp shield is removable for easy lamp access.
- Reflector:** Die formed .020 semi-specular aluminum highly reflective with low glare.
- Electrical:** Ballast is electronic, high power factor, thermally protected class P, sound rated A, with less than 20% total harmonic distortion. The minimum number of ballasts will be used unless otherwise specified.
- Mounting:** Standard installation is 2 x 2 exposed inverted T-bar ceiling. Optional trims are also available for installations in miniature grid, drywall or plaster ceiling. For mounting detail information consult factory. Four support brackets are included with each fixture.
- Finish:** Fixture housing and steel components are finished in baked white enamel applied over a five-stage pretreatment process.
- Lamps:** Fixtures are provided for use with 40 or 50 watt compact fluorescent or 17 watt T8 lamps. (Supplied by Others)
- Certification:** Luminaires are U. L. Listed, C.S.A. certified and are Union Made in the United States of America I.B.E.W.

ORDERING GUIDE

MODEL NO.	LAMPS	SIZE	MOUNTING	FINISH	VOLTAGE	OPTIONS
<b>NAS-ERA-SP</b>	-	<b>22</b>	-	-	-	-
<b>NAS-ERA-SP</b>	<b>140-CF</b> <b>150-CF</b> <b>117-T8</b>	<b>22= 2X2</b>	<b>G=</b> Standard Lay-in Grid <b>MG=</b> Miniature Grid <b>F=</b> Flanged	<b>W=</b> White <b>CC=</b> Custom Color	<b>120v</b> <b>277v</b>	<b>See Options Below</b>
	<b>O=</b> Other Specify					

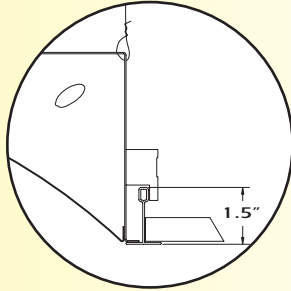
Example: **NAS-ERA-SP-140CF-22-G-W-277**  
New Age Series with perforated lamp shield and semi-specular reflector one 40 watt compact fluorescent 2 x 2 grid fixture finished in baked white enamel 277 volt electronic ballast less than 20% harmonics

OPTIONS

- E10=** Electronic ballast, high power factor, thermally protected class P, sound rated A, <10% total harmonic distortion
- DIM=** Dimming Ballast
- EPC=** Emergency Battery Pack
- EMC=** Emergency Circuit
- ARS=** Air return system
- FWH=** Flexible wiring harness
- OTH=** See Accessory Section for other options available

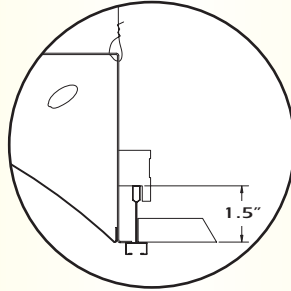
LINEAR SECTIONS AND SUSPENSION LOCATION

### MOUNTING "G"



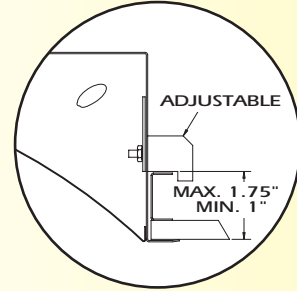
STD. 1 1/2" INVERTED "T" BAR

### MOUNTING "MG"



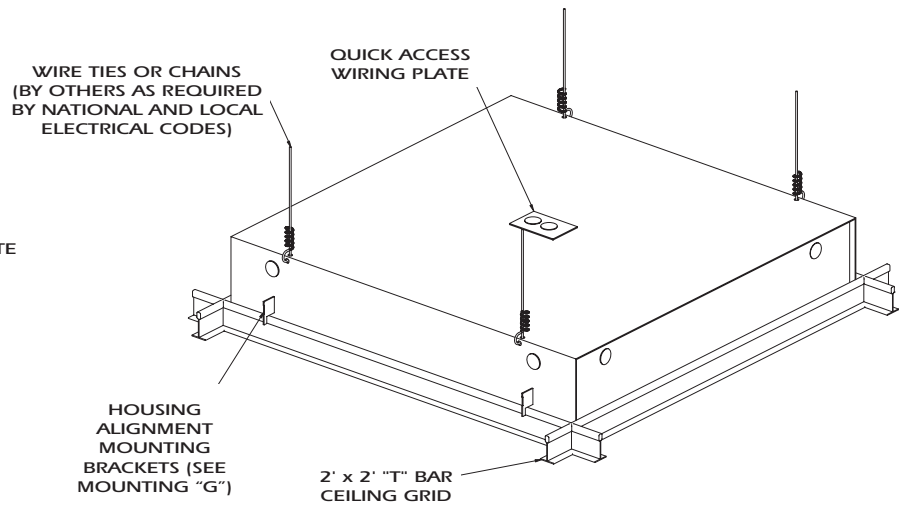
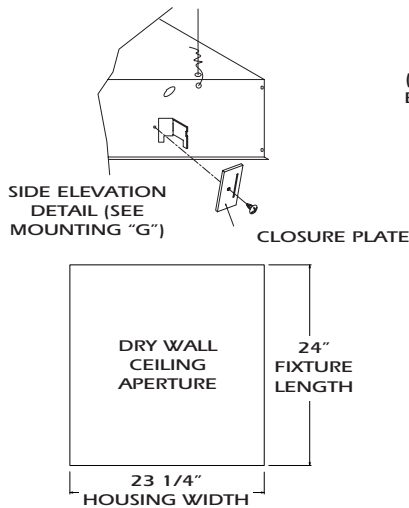
1 1/2" MINIATURE GRID CEILING

### MOUNTING "F"

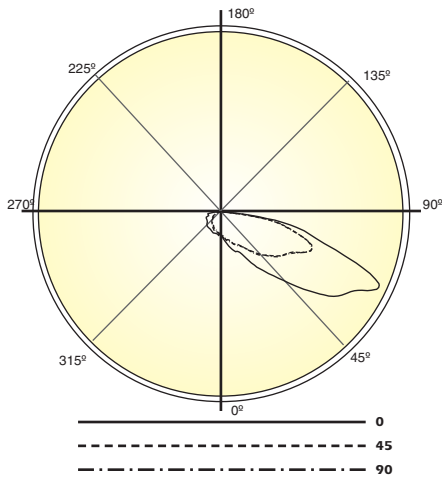


PLASTER OR DRY WALL CEILING

INSTALLATION PREPARATION



PHOTOMETRY



LAMP (1) 40W C.F.  
LUMENS: 3150 PER LAMP

### Candela Distribution:

Vert. Angle	0	22.5	45	67.5	90
0	222	222	222	222	222
5	227	245	234	251	231
10	209	249	263	252	251
15	197	256	270	276	300
20	185	265	289	339	341
25	203	258	315	408	425
30	198	264	333	512	593
35	189	272	441	588	675
40	196	290	511	688	795
45	174	307	531	786	976
50	174	303	566	959	1213
55	172	313	596	1085	1297
60	154	304	636	1214	1480
65	155	315	713	1406	1629
70	153	299	735	1053	1200
75	125	301	548	724	853
80	113	230	299	440	538
85	59.5	63.3	70.7	79.9	81.4
90	8.05	4.52	3.84	8.42	8.21

Optical Distribution:  
100% Direct

### Coefficients of Utilization - Zonal Cavity Method:

pfc = 0.20

	.8	.7	.5	.3	.1	0													
pcc	.8	.7	.5	.3	.1	0													
pw	.7	.5	.3	.1	.5	.3	.1	0											
RCR	0	70	70	70	70	69	69	69	69	66	66	66	63	63	63	60	60	60	59
1	62	58	55	52	60	57	54	51	54	52	49	52	50	48	49	48	46	45	45
2	54	48	43	38	53	47	42	38	44	40	37	42	39	36	40	37	35	33	33
3	48	40	34	29	46	39	33	29	37	32	28	35	31	27	34	30	27	25	25
4	43	34	28	23	41	33	27	22	32	26	22	30	25	22	29	25	21	20	20
5	39	29	23	18	37	29	23	18	27	22	18	26	21	17	25	21	17	16	16
6	35	26	19	15	34	25	19	15	24	19	15	23	18	14	22	18	14	13	13
7	32	23	17	12	31	22	17	12	21	16	12	20	16	12	20	15	12	11	11
8	30	21	15	11	29	20	14	11	19	14	10	18	14	10	18	13	10	9	9
9	28	19	13	9	27	18	13	9	17	12	9	17	12	9	16	12	9	8	8
10	26	17	12	8	25	17	11	8	16	11	8	15	11	8	15	11	8	7	7



Total Luminaire Optical Efficiency = 59.7%