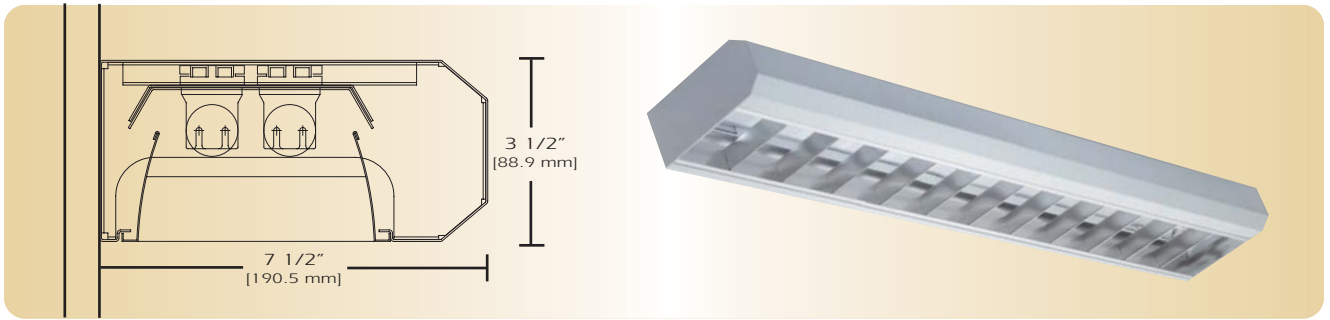


General Illumination AP-35-D-WM



TYPE _____

FEATURES

The AP 35 D WM series is a wall mounted version of the family of beveled steel luminaires. The AP 35 D is designed for total direct distribution. This series can be mounted individually, in perfectly aligned continuous rows, or with inside or outside corners. This series is available with a variety of down light shielding components. The AP 35 D WM is complementary to all other members of the family providing maximum utilization of the unique shape throughout a space.

SPECIFICATIONS

- Housing:** One piece die formed 20-gauge cold rolled steel welded construction forming a 3 1/2" x 7 1/2" beveled profile. Finished end caps are laser cut 18-gauge cold rolled steel, with no exposed hardware or knockouts.
- Reflector:** Die formed 20-gauge cold rolled steel minimum 90% reflectivity finished in high gloss baked white enamel.
- Shielding:** Parabolic louver is semi-specular low iridescence aluminum 1 1/4" x 4" O.C. with 12 cells per 4' section. Four spring clips secure snap in baffle including two tethers.
- Electrical:** Ballast is electronic, high power factor, thermally protected class P, sound rated A, with less than 20% total harmonic distortion. The minimum number of ballasts will be used unless otherwise specified.
- Mounting:** Standard installation is key slots 37 3/4" O.C. for ease of installation.
- Finish:** Fixture housing and steel components are finished in baked white enamel applied over a five-stage pretreatment process.
- Lamps:** Fixtures are provided for use with one, two or three 32 watt T8 lamps or 54 watt T5 HO lamps. (Supplied by Others)
- Certification:** Luminaires are U. L. Listed, C. S. A. certified and are Union Made in the United States of America. I.B.E.W.

ORDERING GUIDE

MODEL NO.	DIRECTION	SHIELDING	LAMPS	MOUNTING	LENGTH	FINISH	VOLTAGE	OPTIONS
AP-35	D							
AP-35	D=Direct	PBL=Parabolic Louver SCB= Steel Cross Baffle PRS=Prismatic Acrylic WOA= White Opal Acrylic	132 T8 232 T8 332 T8 154T5 HO 254T5 HO 354T5 HO	WM= Wall See Accessories	4= ft 8= ft for other, please enter row length (eg. 48=48ft)	W= White CC= Custom Color	120v 277v	See Options Below

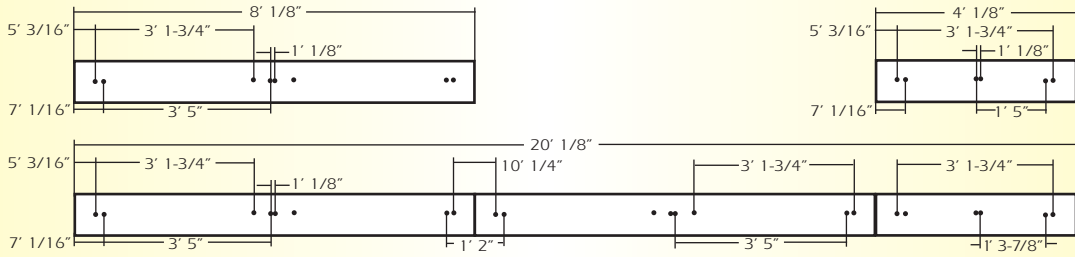
Example: **AP35-D-PBL-232T8-WM-4-W-120V**
 AP35 direct with parabolic louver for two 32 watt T8 lamps wall mounted four foot fixture finished in baked white enamel 120v electronic ballast less than 20% total harmonic distortion.

OPTIONS

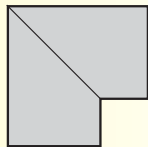
- E10=** Electronic ballast, high power factor, thermally protected class P, sound rated A, < 10% total harmonic distortion
- DIM=** Dimming Ballast
- EPC=** Emergency Battery Pack
- EMC=** Emergency Circuit
- TCW=** Two Circuit Wiring
- TDW=** Tandem Wiring
- OTH=** See Accessories for other options available

General Illumination AP-35-D-WM

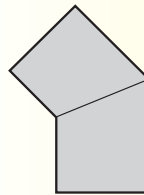
LINEAR SECTIONS AND SUSPENSION LOCATION



CORNERS Corners and fixture extensions are custom fabricated to precise dimensions. Please indicate the specific requirements on the layout

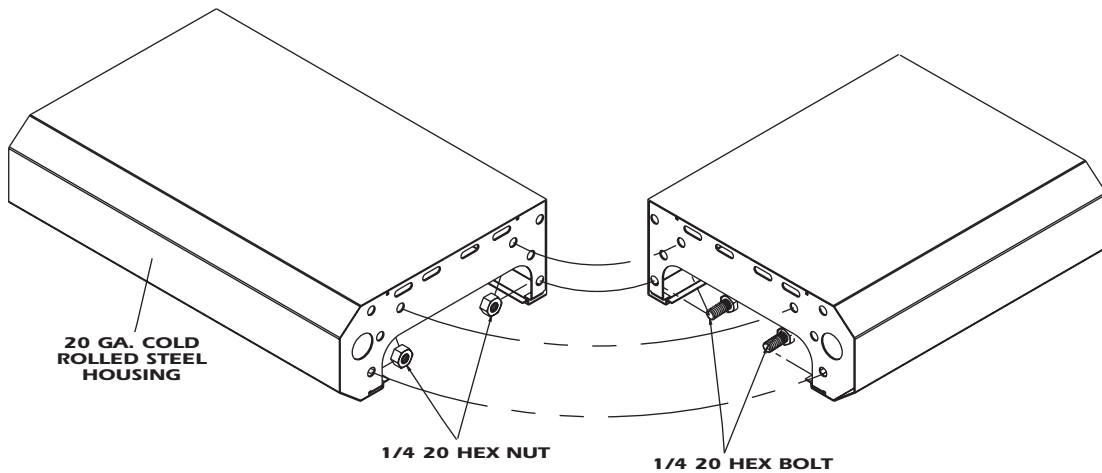


C2
90° Corner

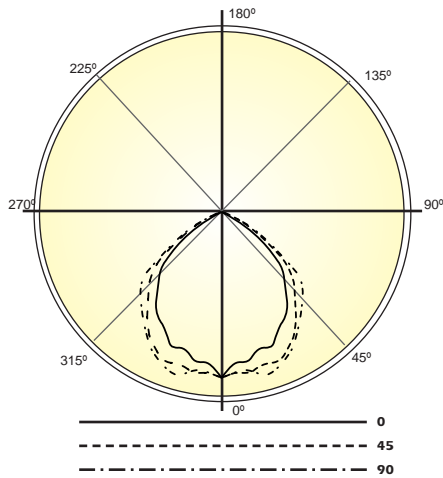


For any angular corner, ()° must be specified and dimensions must be included on the layout
()° AC
Angular Corner

INSTALLATION PREPARATION



PHOTOMETRY



LAMP (2) 32W T8
LUMENS: 2900 PER LAMP
PARABOLIC LOUVER

Candela Distribution:

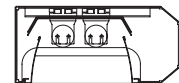
Vert. Angle	0	22.5	45	67.5	90
0	1147	1147	1147	1147	1147
5	1204	1163	1240	1250	1280
10	1143	1223	1276	1286	1281
15	1111	1204	1273	1346	1320
20	1106	1195	1332	1369	1399
25	1071	1170	1372	1345	1393
30	964	1144	1268	1448	1484
35	946	1106	1294	1484	1543
40	882	1085	1300	1436	1487
45	760	997	1216	1254	1259
50	589	823	920	926	924
55	258	404	516	528	497
60	25.9	79.9	170	202	179
65	1.02	29.2	51.5	63.3	54.5
70	2.99	30.0	35.4	37.4	41.3
75	4.72	25.6	29.4	34.4	36.8
80	6.54	17.7	23.4	29.8	31.2
85	2.76	11.4	19.2	24.2	28.9
90	0.850	8.05	17.7	19.9	23.4

Optical Distribution:
100% Direct

Coefficients of Utilization - Zonal Cavity Method:

pfc = 0.20

pcc	.8	.7	.5	.3	.1	0													
pw	.7	.5	.3	.1	.5	.3	.1	.5	.3	.1	0								
RCR	0	66	66	66	66	64	64	64	64	62	62	62	59	59	59	56	56	56	55
1	62	60	58	56	60	58	57	55	56	55	53	54	53	52	52	51	50	49	
2	57	54	50	48	56	53	50	47	51	48	46	49	47	45	47	46	44	43	
3	53	48	44	41	52	47	44	41	46	43	40	44	42	40	43	41	39	38	
4	49	43	39	36	48	42	39	36	41	38	35	40	37	35	39	36	34	33	
5	45	39	35	31	44	38	34	31	37	34	31	36	33	30	35	32	30	29	
6	42	35	31	28	41	35	30	27	34	30	27	33	29	27	32	29	27	26	
7	39	32	27	24	38	32	27	24	31	27	24	30	27	24	29	26	24	23	
8	36	29	25	22	35	29	25	22	28	24	22	27	24	21	27	24	21	20	
9	34	27	22	19	33	26	22	19	26	22	19	25	22	19	25	21	19	18	
10	31	24	20	18	31	24	20	18	24	20	17	23	20	17	23	20	17	16	



Total Luminaire Optical Efficiency = 55.8%