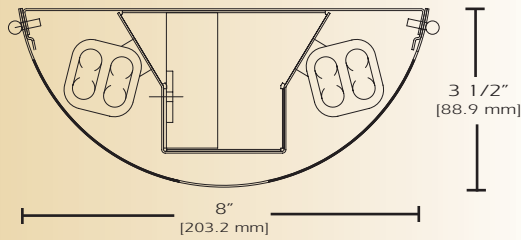


JAZZ Series

JAZ-SCO-WM



TYPE _____

FEATURES

The Jazz Sconce is one variation of the complete family of direct/ indirect luminaires. Suitable for 4" maximum projection from the wall as required by the Americans with Disabilities Act (ADA). This matching Jazz sconce complements the Jazz series. The computer designed optical system creates a spray of direct and indirect lighting, while the facade of the luminaire provides useful contrast.

SPECIFICATIONS

- Housing:** One piece die formed 20-gauge cold rolled steel welded construction forming a 9" x 8" x 3 1/2" rounded profile. Continuous perforated sections are 1/16" x 3/32" straight centers with white .020 translucent overlay.
- Reflector:** Die formed 20-gauge cold rolled steel minimum 90% reflectivity finished in high gloss baked white enamel.
- Electrical:** Ballast is electronic, high power factor, thermally protected class P, sound rated A, with less than 10% total harmonic distortion. The minimum number of ballasts will be used unless otherwise specified.
- Mounting:** Standard installation is mounting plate on back of fixture including key slots for ease of installation.
- Finish:** Fixture housing and steel components are finished in baked white enamel applied over a five-stage pretreatment process.
- Lamps:** Fixtures are provided for use with two, 4-pin electronic compact fluorescent lamps. (Supplied by Others)
- Certification:** Luminaires are U. L. Listed, C. S. A. certified and are Union Made in the United States of America I.B.E.W.

ORDERING GUIDE

MODEL NO.	DIRECTION	LAMPS	MOUNTING	LENGTH	FINISH	VOLTAGE	OPTIONS
JAZ SCO	DI						
JAZ SCO	DI = Direct/ Indirect	213 CF 218 CF 226 CF	WM = Wall Mount	9 x 8 Inches	W = White CC = Custom Color	120v 277v	See Options Below

Example: **JAZ-SCO-DI-213CF-WM-9-W-277V**
 Jazz Sconce fixture continuous perforated pattern with opal overlay for two 13watt compact fluorescent lamps with 9 inch length finished in baked white enamel with 277v electronic ballast less than 10% total harmonic distortion.

See Accessories for other, please enter row length (eg. 48=48ft)

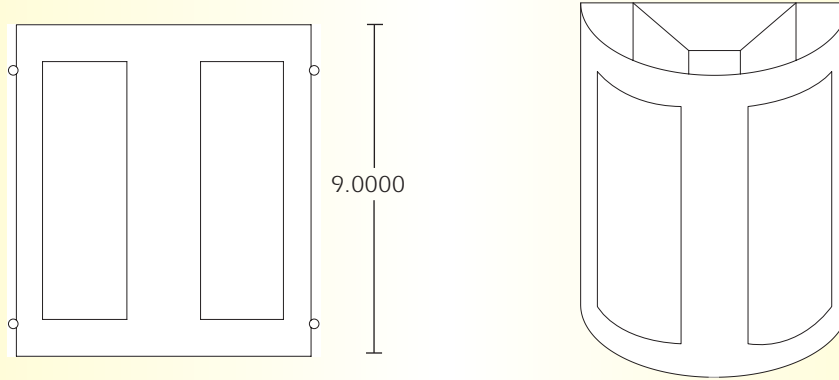
OPTIONS

- DIM=** Dimming Ballast
- EPC=** Emergency Battery Pack
- EMC=** Emergency Circuit
- TCW=** Two Circuit Wiring
- OTH=** See Accessories for other options available

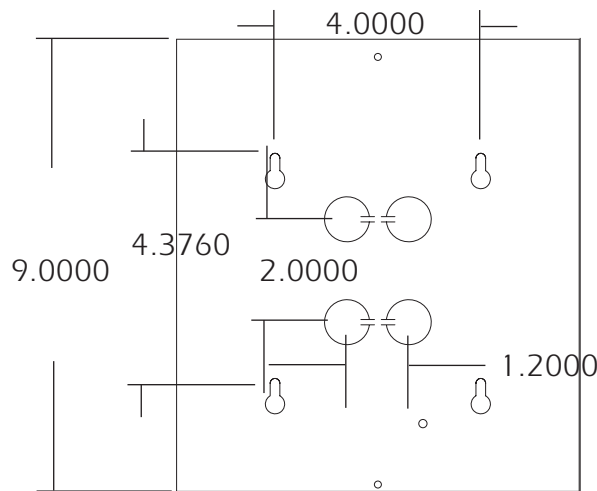
JAZZ Series

JAZ-SCO-WM

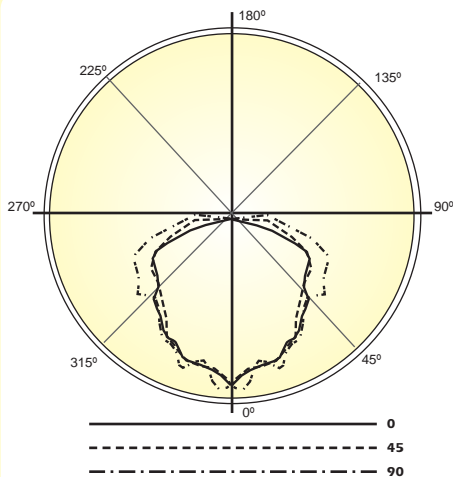
LINEAR SECTIONS AND SUSPENSION LOCATION



INSTALLATION PREPARATION



PHOTOMETRY



LAMP (2) 213 CF
LUMENS: 900 PER LAMP

Candela Distribution:

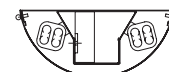
Vert. Angle	0	22.5	45	67.5	90
0	262	262	262	262	262
5	242	228	236	238	265
10	237	236	237	245	228
15	233	236	233	234	233
20	232	234	230	227	244
25	213	228	220	223	218
30	210	210	210	209	217
35	199	196	186	195	202
40	182	177	174	182	185
45	180	165	164	171	172
50	159	151	158	160	173
55	146	144	151	172	188
60	143	146	152	167	175
65	140	139	147	165	171
70	137	128	137	164	169
75	119	118	130	152	162
80	89.1	104	116	137	144
85	55.0	88.9	100	120	129
90	41.3	77.6	87.2	110	112

Optical Distribution:
Direct

Coefficients of Utilization - Zonal Cavity Method:

pfc = 0.20

	.8	.7	.5	.3	.1	0												
pcc	.7	.5	.3	.1	.5	.3	.1	.5	.3	.1	0							
RCR	0	65	65	65	65	63	63	63	61	61	61	58	58	58	56	56	56	54
1	56	53	49	46	55	51	48	45	49	46	44	47	44	42	44	43	41	40
2	50	44	39	35	49	43	39	35	41	37	34	39	36	33	37	35	32	31
3	45	38	32	28	44	37	32	28	35	31	27	34	30	27	32	29	26	25
4	41	33	27	23	40	32	27	23	31	26	22	29	25	22	28	25	22	20
5	37	29	24	19	36	29	23	19	27	23	19	26	22	19	25	21	19	17
6	34	26	21	17	33	26	20	17	25	20	16	24	19	16	23	19	16	15
7	32	24	18	14	31	23	18	14	22	18	14	21	17	14	21	17	14	13
8	30	21	16	13	29	21	16	13	20	16	13	20	15	13	19	15	12	11
9	28	20	15	11	27	19	15	11	19	14	11	18	14	11	17	14	11	10
10	26	18	13	10	25	18	13	10	17	13	10	17	13	10	16	13	10	9



Total Luminaire Optical Efficiency = 56.2%