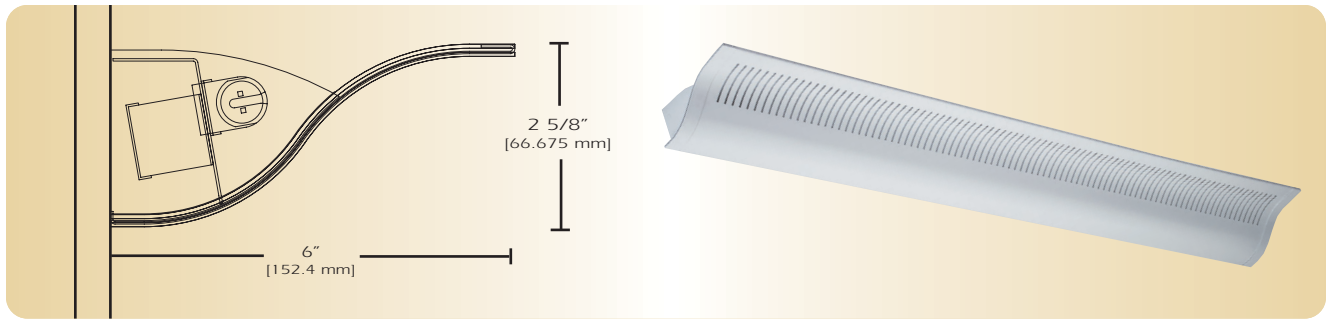


Generation Series 4

G4-WM



TYPE _____

FEATURES

The G4 Wall Mount Series presents a unique shallow winged profile and is one variation of a complete family of wall mounted linear fluorescent luminaires. The G4 Wall Mount Series is a direct/indirect version of the family of luminaires and provides exceptional performance. Constructed of perforated steel and aluminum extrusions, it features a reveal between modules in continuous rows. The computer designed optical system creates a widespread indirect distribution while offering a wide variety of direct perforated accent patterns placed along its wing creating its own unique styling contrast.

SPECIFICATIONS

Housing: One piece die formed 20-gauge cold rolled steel welded construction forming a 2 5/8" x 6" shallow winged profile. Rectangular pattern is 115 /16" x 1/8" straight with white acrylic .020 translucent overlay as shown above. All Generation shieldings available. (See Chart) The decorative intermediate end caps, are provided for mounting and joining individual fixtures in rows. Finished end caps are laser cut aluminum, with no exposed hard ware or knockouts.

Reflector: Die formed 20-gauge cold rolled steel minimum 90% reflectivity finished in high gloss baked white enamel.

Electrical: Ballast is electronic, high power factor, thermally protected class P, sound rated A, with less than 20% total harmonic distortion. The minimum number of ballasts will be used unless otherwise specified.

Mounting: Mounting holes are provided at 14" on center for 4 foot fixtures and 30" on center for 8 foot fixtures for ease of installation.

Finish: Fixture housing and steel components are finished in bake white enamel applied over a five-stage pretreatment process.

Lamps: Fixtures are provided for use with one or two 32-watt T8 lamps or 54-watt T5 HO lamps. (Supplied by others)

Certification: Luminaires are U. L. Listed, C. S. A. certified and are Union Made in the United States of America I.B.E.W.

ORDERING GUIDE

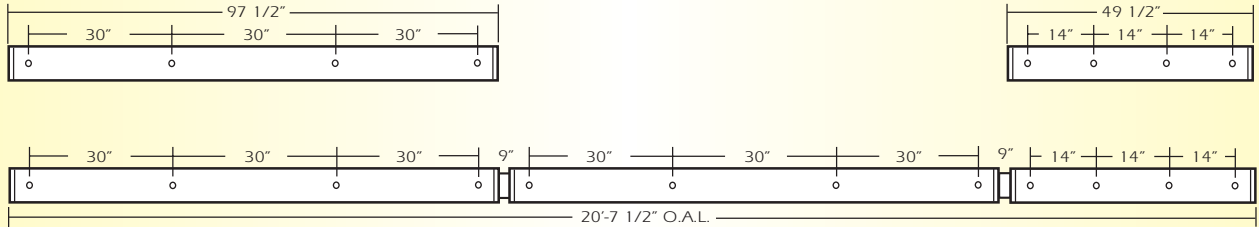
MODEL NO.	DIRECTION	SHIELDING	LAMPS	MOUNTING	LENGTH	FINISH	VOLTAGE	OPTIONS
G4	- DI	- 7	- <input type="checkbox"/>	- <input type="checkbox"/>	- <input type="checkbox"/>	- <input type="checkbox"/>	- <input type="checkbox"/>	- <input type="checkbox"/>
G4	DI = Direct/ Indirect	7 = Rectangular Continuous <input type="checkbox"/> O =Other See Generation Shielding Chart	132T8 232T8 154T5 HO 254T5 HO O =Other Specify	WM = Wall Mount See Accessories	4 = 4 ft 8 = 8 ft 12 = 12 ft for other, please enter row length (eg. 48=48ft)	W = White CC = Custom Color	120v 277v	See Options Below

Example: **G4-DI-7-232T8-WM-4-W-120V**
Generation Four with rectangular slotted continuous pattern with opal overlay for two 32 watt T8 lamps wall mounted finished in baked white enamel with 120v electronic ballast less than 20% total harmonic distortion.

OPTIONS

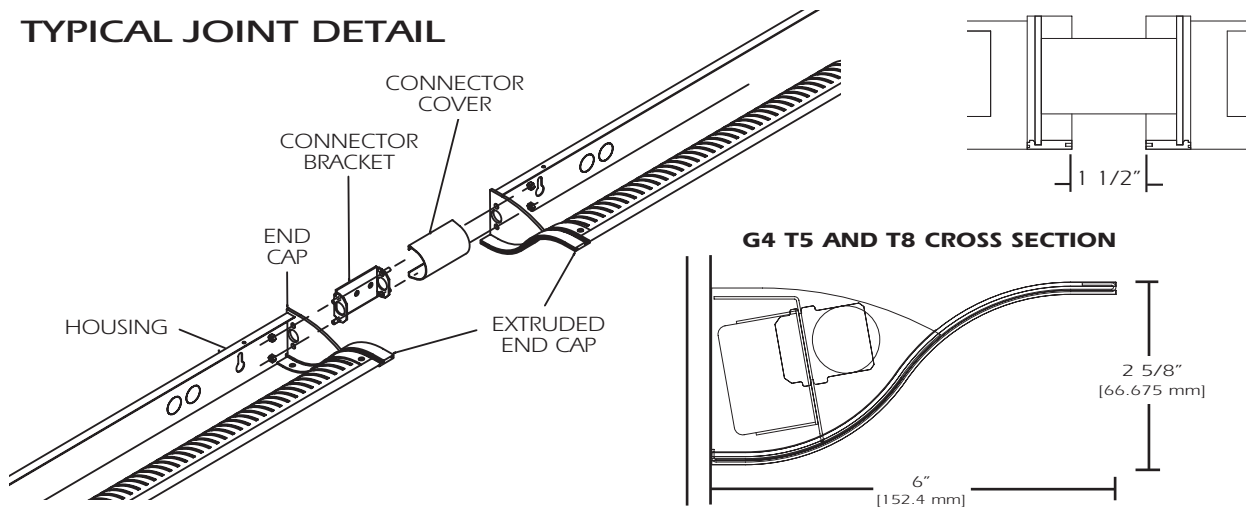
- E10=** Electronic ballast, high power factor, thermally protected class P, sound rated A, < 10% total harmonic distortion
- DIM=** Dimming Ballast
- EPC=** Emergency Battery Pack
- EMC=** Emergency Circuit
- TCW=** Two Circuit Wiring
- OTH=** See Accessories for other options available

LINEAR SECTIONS AND SUSPENSION LOCATION

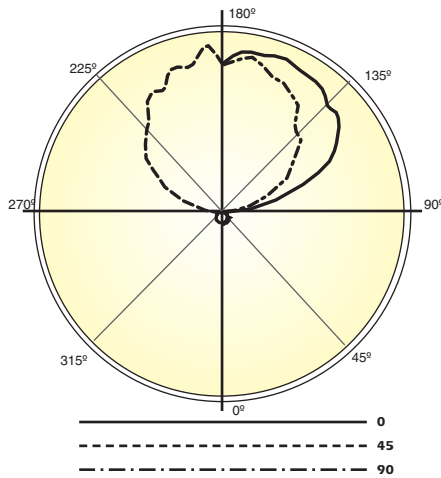


INSTALLATION PREPARATION

TYPICAL JOINT DETAIL



PHOTOMETRY



LAMP (1) 32W T8
LUMENS: 2900 PER LAMP

Candela Distribution:

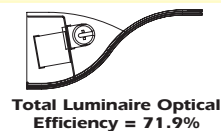
Vert. Angle	0	22.5	45	67.5	90
0	45.4	45.4	45.4	45.4	45.4
10	45.2	45.7	39.4	37.9	37.3
20	36.0	39.5	37.8	27.0	28.5
30	44.0	36.4	28.7	22.0	21.8
40	34.9	29.3	19.8	18.2	14.5
50	27.9	22.2	13.4	6.47	3.93
60	25.9	17.8	4.47	1.83	0.620
70	22.5	6.55	0.530	0.000	0.000
80	13.4	0.800	0.130	0.000	0.000
90	3.90	0.300	0.320	0.130	0.090
100	76.7	34.7	13.7	10.8	8.57
110	190	115	86.7	61.2	60.0
120	307	218	158	141	138
130	399	327	261	221	218
140	449	425	365	320	318
150	542	505	443	442	415
160	575	557	528	528	502
170	627	578	555	570	573
180	586	586	586	586	586

Optical Distribution:
Direct/Indirect

Coefficients of Utilization - Zonal Cavity Method:

pfc = 0.20

	.8	.7	.5	.3	.1	0
pcc	.8	.7	.5	.3	.1	0
pw	.7 .5 .3 .1	.7 .5 .3 .1	.5 .3 .1	.5 .3 .1	.5 .3 .1	0
RCR						
0	58 58 58 58	50 50 50 50	35 35 35	22 22 22	9 9 9	3
1	53 50 48 46	45 43 42 40	31 29 28	19 18 17	8 7 7	2
2	48 44 40 37	41 38 35 33	27 25 23	16 15 14	7 6 6	2
3	44 38 34 31	37 33 30 27	23 21 19	14 13 12	6 5 5	1
4	40 34 29 26	34 29 25 23	20 18 16	12 11 10	5 4 4	1
5	36 30 25 22	31 26 22 19	18 16 14	11 10 9	4 4 3	1
6	33 26 22 19	28 23 19 16	16 14 12	10 8 7	4 3 3	1
7	31 24 19 16	26 20 17 14	14 12 10	9 7 6	3 3 2	1
8	28 21 17 14	24 18 15 12	13 11 9	8 6 5	3 3 2	0
9	26 19 15 12	22 17 13 11	12 9 8	7 6 5	3 2 2	0
10	24 17 13 11	21 15 12 9	11 8 7	6 5 4	3 2 2	0



Total Luminaire Optical Efficiency = 71.9%