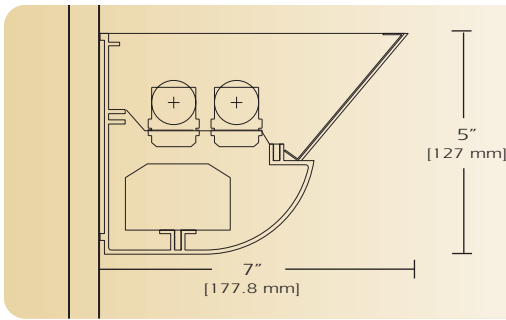


Special Profiles

AD-VEC-59-WM



TYPE _____

FEATURES

The AD VEC 59 DI WM is the wall mounted variation of this complete family of luminaires. A smooth laser cut welded end finishes the graceful contour of the extruded aluminum wing. The fixture is perforated steel 41% opening with white acrylic .202 translucent overlay. The computer designed optical system creates a wide asymmetric glare-free indirect component. These fixtures can be mounted individually, in continuous rows or patterns.

SPECIFICATIONS

Housing: Two piece heavy gauge extruded aluminum 6063T5 alloy welded construction forming a 5" x 7" vector profile. Decorative finished end caps are welded with no exposed hardware or knockouts. Standard side is perforated 20 gauge cold rolled steel 41% opening with white .020 translucent overlay.

Reflector: Die formed 20-gauge cold rolled steel minimum 90% reflectivity finished in high gloss baked white enamel.

Electrical: Ballast is electronic, high power factor, thermally protected class P, sound rated A, with less than 20% total harmonic distortion. The minimum number of ballasts will be used unless otherwise specified.

Mounting: Standard mounting holes are provided for ease of installation please see mounting details for specific locations in linear section.

Finish: Fixture housing and steel components are finished in baked white enamel applied over a five-stage pretreatment process.

Lamps: Fixtures are provided for use with one, or two 32 watt T8 lamp or 54 watt T5 HO lamp. (Supplied by Others)

Certification: Luminaires are U. L. Listed, C. S. A. certified and are Union Made in the United States of America I.B.E.W.

ORDERING GUIDE

| MODEL NO. | DIRECTION | SHIELDING | NO. OF LAMPS | LAMPS | MOUNTING | LENGTH | FINISH | VOLTAGE | OPTIONS |
|------------------|-----------|-------------|----------------------|---|--|---|---|----------------------------|--|
| AD-VEC-59 | I | PERF | 1 2 | 17T8 25T8 32T8 14T5 21T5 28T5 39T5 HO 54T5 HO O=Other Specify | WM= Wall Mount See Accessories | 2= ft 3= ft 4= ft for other, please enter row length (eg. 48=48ft) | W= White CC= Custom Color | 120v 277v | See Options Below |

Example: **AD VEC 59-DI-Perf-232T8-WM-4-W-120V**
AD VEC 59 direct/indirect perforated for two T8 lamps wall mount four foot fixture finished in baked white enamel 120V electronic ballast less than 20% total harmonic distortion.

OPTIONS

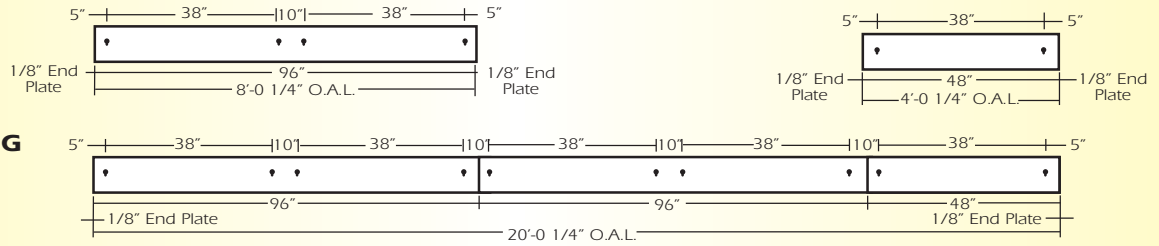
- E10=** Electronic ballast, high power factor, thermally protected class P, sound rated A, < 10% total harmonic distortion
- DIM=** Dimming Ballast
- EPC=** Emergency Battery Pack
- EMC=** Emergency Circuit
- TCW=** Two Circuit Wiring
- TDW=** Tandem Wiring
- OTH=** See Accessories for other options available

Special Profiles

AD-VEC-59-WM

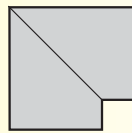
LINEAR SECTIONS AND SUSPENSION LOCATION

WALL MOUNTING

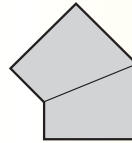


CORNERS

Corners and fixture extensions are custom fabricated to precise dimensions. Please indicate the specific requirements on the layout



C2
90° Corner



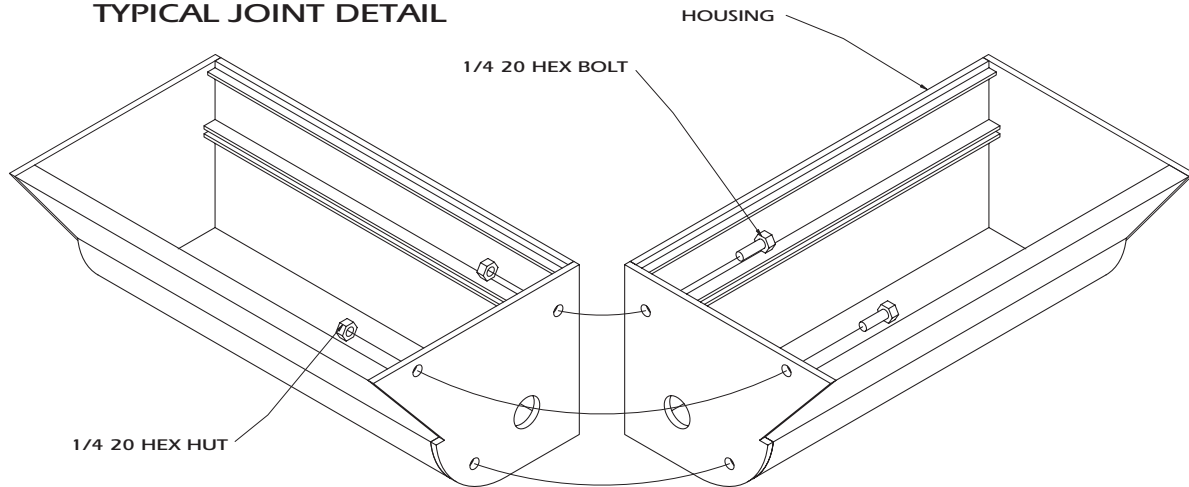
()° AC
Angular Corner

For any angular corner, ()° must be specified and dimensions must be included on the layout

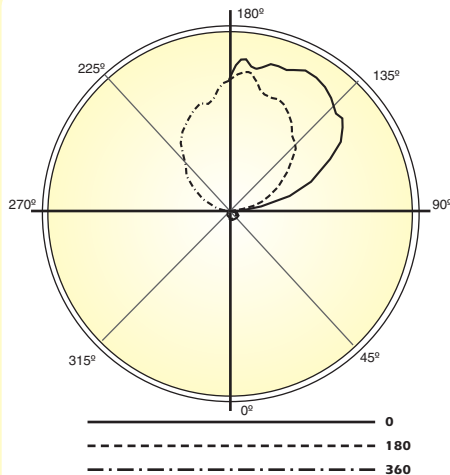
For any pattern, a layout must accompany the order.

INSTALLATION PREPARATION

TYPICAL JOINT DETAIL



PHOTOMETRY



LAMP (2) 32W T8
LUMENS: 2900 PER LAMP

Candela Distribution:

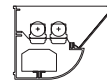
| Vert. Angle | 0 | 90 | 180 | 270 | 360 |
|-------------|------|------|------|------|------|
| 90 | 7.59 | 7.59 | 7.59 | 7.59 | 7.59 |
| 95 | 69.8 | 53.7 | 45.0 | 39.3 | 36.6 |
| 100 | 176 | 163 | 134 | 126 | 115 |
| 105 | 278 | 260 | 232 | 208 | 203 |
| 110 | 387 | 372 | 327 | 327 | 292 |
| 115 | 485 | 462 | 459 | 430 | 415 |
| 120 | 591 | 595 | 572 | 553 | 511 |
| 125 | 661 | 680 | 672 | 676 | 659 |
| 130 | 767 | 775 | 770 | 758 | 776 |
| 135 | 851 | 866 | 843 | 798 | 849 |
| 140 | 923 | 941 | 969 | 929 | 895 |
| 145 | 1020 | 1061 | 1024 | 1022 | 1009 |
| 150 | 1090 | 1115 | 1072 | 1055 | 1077 |
| 155 | 1140 | 1130 | 1205 | 1132 | 1174 |
| 160 | 1187 | 1163 | 1240 | 1229 | 1247 |
| 165 | 1213 | 1240 | 1214 | 1288 | 1187 |
| 170 | 1181 | 1315 | 1142 | 1221 | 1253 |
| 175 | 1194 | 1176 | 1208 | 1216 | 1386 |
| 180 | 1370 | 1370 | 1370 | 1370 | 1370 |

Optical Distribution:
99% Indirect: 1% Direct

Coefficients of Utilization - Zonal Cavity Method:

pfc = 0.20

| | .8 | .7 | .5 | .3 | .1 | 0 | | | | | | | | | | | | |
|-----|----|----|----|----|----|----|----|----|----|----|----|----|----|----|---|---|---|---|
| pcc | .8 | .7 | .5 | .3 | .1 | 0 | | | | | | | | | | | | |
| pw | .7 | .5 | .3 | .1 | .5 | .3 | .1 | 0 | | | | | | | | | | |
| RCR | 0 | 70 | 70 | 70 | 59 | 59 | 59 | 59 | 40 | 40 | 23 | 23 | 23 | 7 | 7 | 7 | 0 | |
| 1 | 63 | 60 | 58 | 55 | 54 | 51 | 49 | 47 | 35 | 34 | 33 | 20 | 19 | 19 | 6 | 6 | 6 | 0 |
| 2 | 57 | 52 | 48 | 45 | 49 | 45 | 42 | 39 | 31 | 29 | 27 | 17 | 16 | 16 | 5 | 5 | 5 | 0 |
| 3 | 52 | 46 | 41 | 37 | 44 | 39 | 35 | 32 | 27 | 24 | 22 | 15 | 14 | 14 | 5 | 4 | 4 | 0 |
| 4 | 48 | 40 | 35 | 31 | 40 | 35 | 30 | 27 | 24 | 21 | 19 | 13 | 12 | 11 | 4 | 4 | 3 | 0 |
| 5 | 43 | 36 | 30 | 26 | 37 | 31 | 26 | 23 | 21 | 18 | 16 | 12 | 10 | 9 | 3 | 3 | 3 | 0 |
| 6 | 40 | 32 | 26 | 22 | 34 | 27 | 23 | 19 | 19 | 16 | 14 | 11 | 9 | 8 | 3 | 3 | 2 | 0 |
| 7 | 37 | 28 | 23 | 19 | 31 | 24 | 20 | 17 | 17 | 14 | 12 | 9 | 8 | 7 | 3 | 2 | 2 | 0 |
| 8 | 34 | 25 | 20 | 17 | 29 | 22 | 17 | 14 | 15 | 12 | 10 | 8 | 7 | 6 | 2 | 2 | 2 | 0 |
| 9 | 31 | 23 | 18 | 15 | 26 | 20 | 15 | 13 | 14 | 11 | 9 | 8 | 7 | 5 | 2 | 1 | 1 | 0 |
| 10 | 29 | 21 | 16 | 13 | 25 | 18 | 14 | 11 | 12 | 10 | 8 | 7 | 5 | 4 | 2 | 1 | 1 | 0 |



Total Luminaire Optical
Efficiency = 73.6%