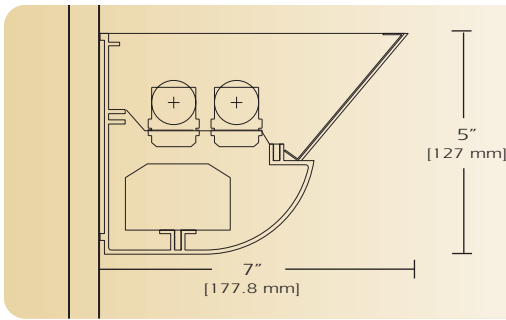


# Special Profiles

AD-VEC-59-WM



**TYPE** \_\_\_\_\_

**FEATURES**

The AD VEC 59 DI WM is the wall mounted variation of this complete family of luminaires. A smooth laser cut welded end finishes the graceful contour of the extruded aluminum wing. The fixture is perforated steel 41% opening with white acrylic .202 translucent overlay. The computer designed optical system creates a wide asymmetric glare-free indirect component. These fixtures can be mounted individually, in continuous rows or patterns.

**SPECIFICATIONS**

**Housing:** Two piece heavy gauge extruded aluminum 6063T5 alloy welded construction forming a 5" x 7" vector profile. Decorative finished end caps are welded with no exposed hardware or knockouts. Standard side is perforated 20 gauge cold rolled steel 41% opening with white .020 translucent overlay.

**Reflector:** Die formed 20-gauge cold rolled steel minimum 90% reflectivity finished in high gloss baked white enamel.

**Electrical:** Ballast is electronic, high power factor, thermally protected class P, sound rated A, with less than 20% total harmonic distortion. The minimum number of ballasts will be used unless otherwise specified.

**Mounting:** Standard mounting holes are provided for ease of installation please see mounting details for specific locations in linear section.

**Finish:** Fixture housing and steel components are finished in baked white enamel applied over a five-stage pretreatment process.

**Lamps:** Fixtures are provided for use with one, or two 32 watt T8 lamp or 54 watt T5 HO lamp. (Supplied by Others)

**Certification:** Luminaires are U. L. Listed, C. S. A. certified and are Union Made in the United States of America I.B.E.W.

**ORDERING GUIDE**

MODEL NO.	DIRECTION	SHIELDING	NO. OF LAMPS	LAMPS	MOUNTING	LENGTH	FINISH	VOLTAGE	OPTIONS
<b>AD-VEC-59</b>	<b>I</b>	<b>PERF</b>	<b>1</b> <b>2</b>	<b>17T8</b> <b>25T8</b> <b>32T8</b> <b>14T5</b> <b>21T5</b> <b>28T5</b> <b>39T5 HO</b> <b>54T5 HO</b> <b>O=Other</b> Specify	<b>WM= Wall</b> Mount  See Accessories	<b>2= ft</b> <b>3= ft</b> <b>4= ft</b>  for other, please enter row length (eg. 48=48ft)	<b>W= White</b> <b>CC= Custom</b> Color	<b>120v</b> <b>277v</b>	<b>See</b> <b>Options</b> <b>Below</b>

Example: **AD VEC 59-DI-Perf-232T8-WM-4-W-120V**  
AD VEC 59 direct/indirect perforated for two T8 lamps wall mount four foot fixture finished in baked white enamel 120V electronic ballast less than 20% total harmonic distortion.

**OPTIONS**

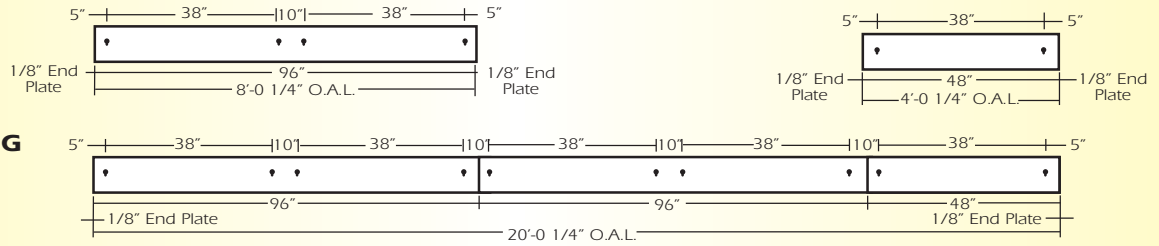
- E10=** Electronic ballast, high power factor, thermally protected class P, sound rated A, < 10% total harmonic distortion
- DIM=** Dimming Ballast
- EPC=** Emergency Battery Pack
- EMC=** Emergency Circuit
- TCW=** Two Circuit Wiring
- TDW=** Tandem Wiring
- OTH=** See Accessories for other options available

# Special Profiles

AD-VEC-59-WM

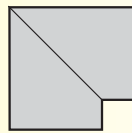
LINEAR SECTIONS AND SUSPENSION LOCATION

## WALL MOUNTING

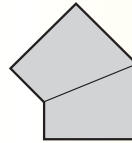


## CORNERS

Corners and fixture extensions are custom fabricated to precise dimensions. Please indicate the specific requirements on the layout



**C2**  
90° Corner



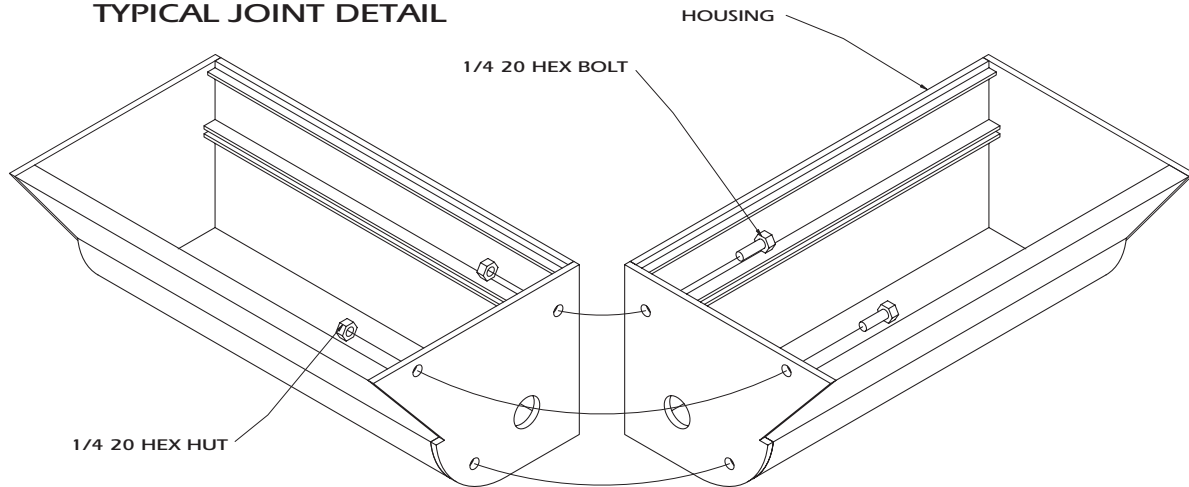
**( )° AC**  
Angular Corner

For any angular corner, ( )° must be specified and dimensions must be included on the layout

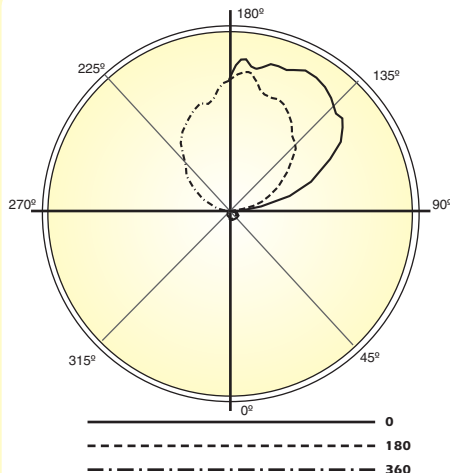
For any pattern, a layout must accompany the order.

INSTALLATION PREPARATION

## TYPICAL JOINT DETAIL



PHOTOMETRY



LAMP (2) 32W T8  
LUMENS: 2900 PER LAMP

## Candela Distribution:

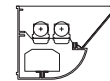
Vert. Angle	0	90	180	270	360
90	7.59	7.59	7.59	7.59	7.59
95	69.8	53.7	45.0	39.3	36.6
100	176	163	134	126	115
105	278	260	232	208	203
110	387	372	327	327	292
115	485	462	459	430	415
120	591	595	572	553	511
125	661	680	672	676	659
130	767	775	770	758	776
135	851	866	843	798	849
140	923	941	969	929	895
145	1020	1061	1024	1022	1009
150	1090	1115	1072	1055	1077
155	1140	1130	1205	1132	1174
160	1187	1163	1240	1229	1247
165	1213	1240	1214	1288	1187
170	1181	1315	1142	1221	1253
175	1194	1176	1208	1216	1386
180	1370	1370	1370	1370	1370

Optical Distribution:  
99% Indirect: 1% Direct

## Coefficients of Utilization - Zonal Cavity Method:

pfc = 0.20

	.8	.7	.5	.3	.1	0												
pcc	.8	.7	.5	.3	.1	0												
pw	.7	.5	.3	.1	.5	.3	.1	0										
RCR	0	70	70	70	59	59	59	59	40	40	23	23	23	7	7	7	0	
1	63	60	58	55	54	51	49	47	35	34	33	20	19	19	6	6	6	0
2	57	52	48	45	49	45	42	39	31	29	27	17	16	16	5	5	5	0
3	52	46	41	37	44	39	35	32	27	24	22	15	14	14	5	4	4	0
4	48	40	35	31	40	35	30	27	24	21	19	13	12	11	4	4	3	0
5	43	36	30	26	37	31	26	23	21	18	16	12	10	9	3	3	3	0
6	40	32	26	22	34	27	23	19	19	16	14	11	9	8	3	3	2	0
7	37	28	23	19	31	24	20	17	17	14	12	9	8	7	3	2	2	0
8	34	25	20	17	29	22	17	14	15	12	10	8	7	6	2	2	2	0
9	31	23	18	15	26	20	15	13	14	11	9	8	7	5	2	1	1	0
10	29	21	16	13	25	18	14	11	12	10	8	7	5	4	2	1	1	0



Total Luminaire Optical Efficiency = 73.6%