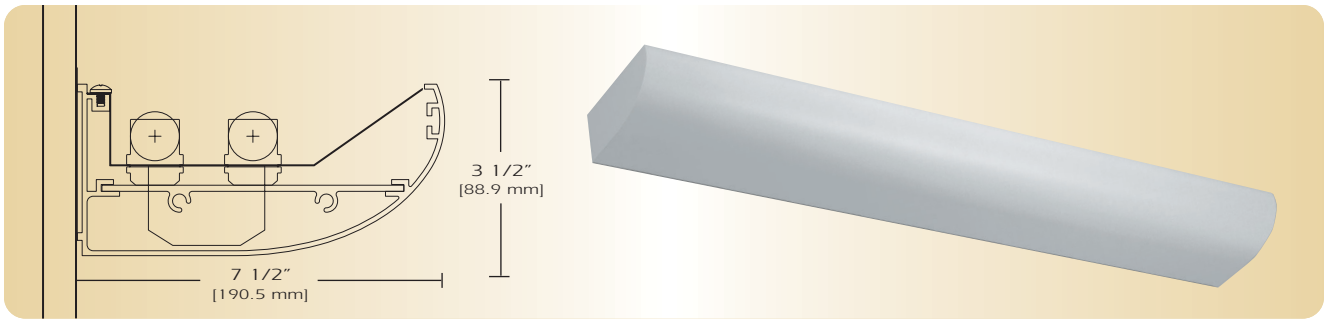


# Special Profiles

AD-FOB-I-WM



**TYPE** \_\_\_\_\_

**FEATURES**

The AD FOB I WM is the wall mounted variation of this complete family of luminaires. A smooth laser cut welded end finishes the graceful elliptical contour of the extruded aluminum profile. The computer designed optical system creates a wide asymmetric glare-free indirect distribution. These fixtures can be mounted individually, in continuous runs or patterns.

**SPECIFICATIONS**

- Housing:** One-piece heavy gauge extruded aluminum 6063T5 alloy welded construction forming a 7 1/2" by 3 1/2" ellipse profile. Finished end caps are welded to housing with no exposed hardware or knockouts.
- Reflector:** Die formed 20-gauge cold rolled steel minimum 90% reflectivity finished in high gloss baked white enamel.
- Electrical:** Ballast is electronic, high power factor, thermally protected class P, sound rated A, with less than 20% total harmonic distortion. The minimum number of ballasts will be used unless otherwise specified.
- Mounting:** Standard mounting holes are provided for ease of installation. Please see mounting details for specific locations.
- Finish:** Fixture housing and steel components are finished in baked white enamel applied over a five-stage pretreatment process.
- Lamps:** Fixtures are provided for use with one or two 32 watt T8 lamps or 54 watt T5 HO lamps. (Supplied by Others)
- Certification:** Luminaires are U. L. Listed, C. S. A. certified and are Union Made in the United States of America I.B.E.W.

**ORDERING GUIDE**

MODEL NO.	DIRECTION	NO. OF LAMPS	LAMPS	MOUNTING	LENGTH	FINISH	VOLTAGE	OPTIONS
<b>AD-FOB</b>	- <b>I</b>	- <input type="checkbox"/>	- <input type="checkbox"/>	- <input type="checkbox"/>	- <input type="checkbox"/>	- <input type="checkbox"/>	- <input type="checkbox"/>	- <input type="checkbox"/>
<b>AD-FOB</b>	I=Indirect	1 2	17T8 25T8 32T8 14T5 21T5 28T5 24T5 HO 39T5 HO 54T5 HO O=Other Specify	WM= Wall Mount  See Accessories	2 3 4 6 8  for other, please enter row length (eg. 48=48ft)	W= White CC= Custom Color	120v 277v	See Options Below

Example: **AD FOB -I-232T8-WM-4'-W-120V**  
 AD FOB Indirect with two 32 watt T8 lamps wall mounted four foot fixture finished in baked white enamel 120v electronic ballast less than 20% total harmonic distortion.

**OPTIONS**

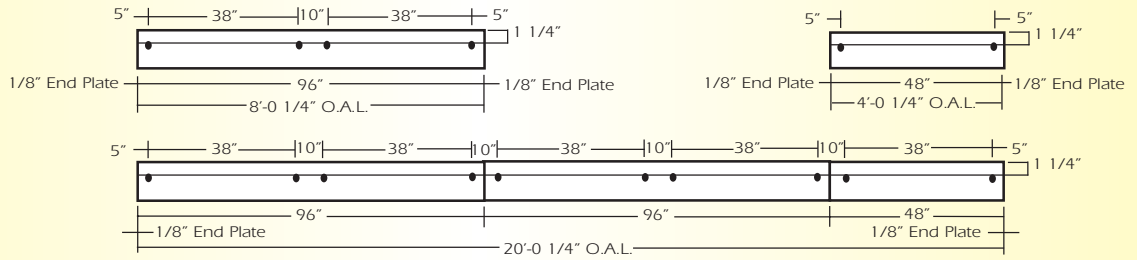
- E10=** Electronic ballast, high power factor, thermally protected class P, sound rated A, < 10% total harmonic distortion
- DIM=** Dimming Ballast
- EPC=** Emergency Battery Pack
- EMC=** Emergency Circuit
- TCW=** Two Circuit Wiring
- TDW=** Tandem Wiring
- QCW=** Quick Connect Wiring
- OTH=** See Accessories for other options available

# Special Profiles

AD-FOB-I-WM

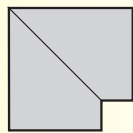
LINEAR SECTIONS AND SUSPENSION LOCATION

## WALL MOUNTING

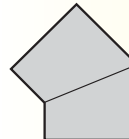


## CORNERS

Corners and fixture extensions are custom fabricated to precise dimensions. Please indicate the specific requirements on the layout



**C2**  
90° Corner



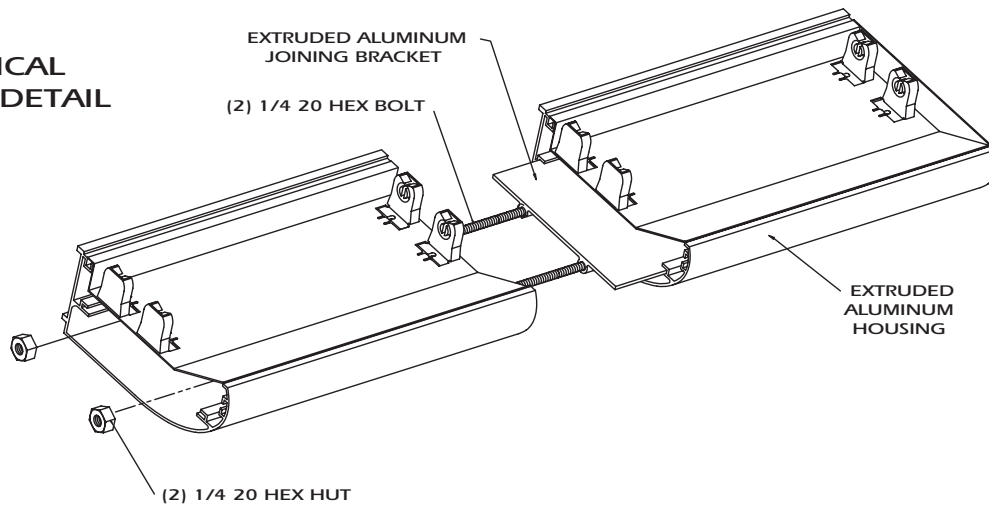
**( )° AC**  
Angular Corner

For any angular corner, ( )° must be specified and dimensions must be included on the layout

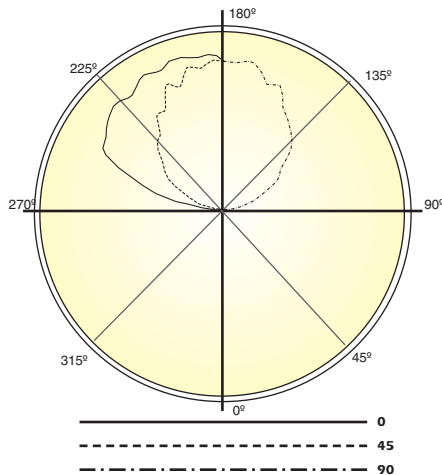
For any pattern, a layout must accompany the order.

INSTALLATION PREPARATION

## TYPICAL JOINT DETAIL



PHOTOMETRY



LAMP (2) 32W T8  
LUMENS: 2900 PER LAMP

### Candela Distribution:

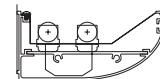
Vert. Angle	0	22.5	45	67.5	90
90	5.88	8.55	9.82	10.7	9.95
95	157	145	132	151	153
100	449	429	439	455	432
105	678	754	761	729	687
110	874	982	990	997	885
115	971	1168	1271	1186	970
120	1091	1297	1331	1278	1067
125	1156	1347	1391	1357	1164
130	1222	1365	1439	1407	1235
135	1238	1412	1469	1389	1270
140	1307	1440	1419	1445	1295
145	1375	1430	1474	1439	1359
150	1391	1466	1515	1400	1378
155	1472	1493	1480	1437	1439
160	1478	1493	1530	1412	1428
165	1435	1557	1529	1523	1494
170	1457	1428	1494	1436	1441
175	1482	1555	1504	1466	1450
180	1433	1433	1433	1433	1433

Optical Distribution:  
100% Indirect

### Coefficients of Utilization - Zonal Cavity Method:

pfc = 0.20

	.8	.7	.5	.3	.1	0
pcc	.8	.7	.5	.3	.1	0
pw	.7	.5	.3	.1	.5	.3
RCR	.1	.7	.5	.3	.1	.5
0	68	68	68	68	58	58
1	62	59	57	54	53	51
2	56	52	47	44	48	44
3	51	45	40	36	44	39
4	47	40	34	31	40	34
5	43	35	30	26	36	30
6	39	31	26	22	33	27
7	36	28	23	19	30	24
8	33	25	20	16	28	21
9	31	23	18	14	26	19
10	28	20	16	12	24	18



Total Luminaire Optical Efficiency = 71.9%