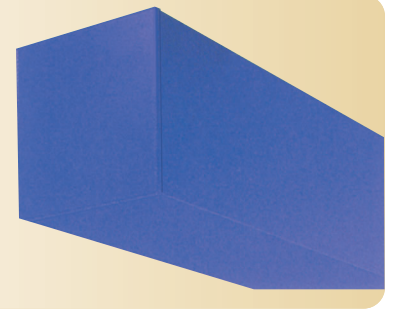
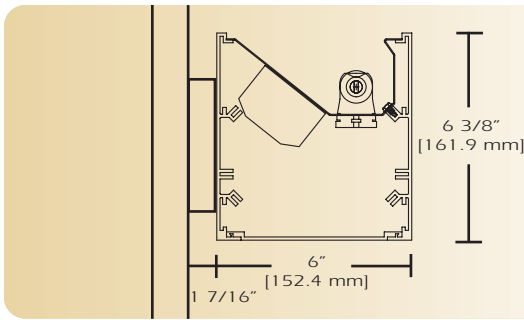


Squares

AD-66-IAO-WM



TYPE _____

FEATURES

The AD 66 architectural linear series are extraordinarily efficient aluminum luminaires. The AD 66 IAO WM is designed with an asymmetric outward indirect distribution for wall mounting. This series can be mounted individually, in perfectly aligned continuous rows, or in any combination of patterns. The AD 66 series is an ideal solution for open spaces and provides maximum design versatility.

SPECIFICATIONS

Housing: One piece heavy gauge extruded aluminum 6063T5 alloy welded construction forming a 6" x 6 3/8" profile. Finished end caps are welded to housing with no exposed hardware or knockouts.

Reflector: Die formed 20-gauge cold rolled steel minimum 90% reflectivity finished in high gloss baked white enamel.

Electrical: Ballast is electronic, high power factor, thermally protected class P, sound rated A, with less than 20% total harmonic distortion. The minimum number of ballasts will be used unless otherwise specified.

Mounting: Provided with wall mounting brackets measuring 5" square by 1 7/16" deep. Finished in white to match housing.

Finish: Fixture housing and steel components are finished in baked white enamel applied over a five-stage pretreatment process.

Lamps: Fixtures are provided for use with one 32 watt T8 lamps or 54 watt T5 HO lamps. (Supplied by Others)

Certification: Luminaires are U. L. Listed, C. S. A. certified and are Union Made in the United States of America I.B.E.W.

ORDERING GUIDE

MODEL NO.	DIRECTION	NO. OF LAMPS	LAMPS	MOUNTING	LENGTH	FINISH	VOLTAGE	OPTIONS
AD66	IAO	<input type="text" value="1"/>	<input type="text" value="17 T8 (2)"/>	<input type="text" value="WM= Wall"/>	<input type="text" value="2= ft"/>	<input type="text" value="W= White"/>	<input type="text" value="120v"/>	<input type="text" value="See Options Below"/>
AD66	IAO= Indirect/ Asymmetric Out	1= 1	25 T8 (3) 32 T8 (4) 40 T8 (5) 28 T5 (4') 54 T5 HO (4') O=Other Specify	WM= Wall See Accessories	2= ft 3= ft 4= ft 5= ft 6= ft 8= ft for other, please enter row length (eg. 48=48ft)	W= White CC= Custom Color	120v 277v	See Options Below

Example: **AD-66-IAO-1 32T8-WM-4-W-1 20V**
 AD-66 indirect asymmetric out for one 32 watt T8 lamps wall mounted four foot fixture finished in baked white enamel 120v electronic ballast less than 20% total harmonic distortion.

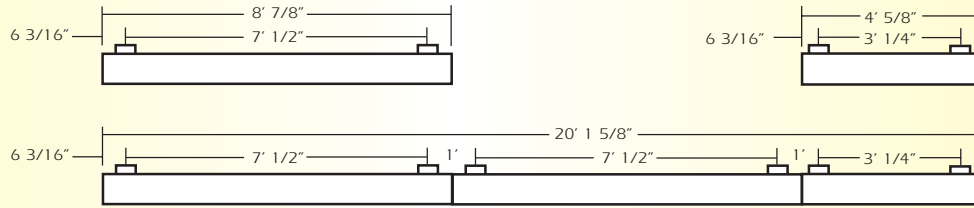
OPTIONS

- E10=** Electronic ballast, high power factor, thermally protected class P, sound rated A, < 10% total harmonic distortion
- DIM=** Dimming Ballast
- EPC=** Emergency Battery Pack
- EMC=** Emergency Circuit
- TCW=** Two Circuit Wiring
- TDW=** Tandem Wiring
- OTH=** See Accessories for other options available

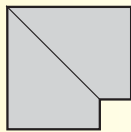
Squares

AD-66-IAO-WM

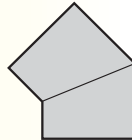
LINEAR SECTIONS AND SUSPENSION LOCATION



CORNERS Corners and fixture extensions are custom fabricated to precise dimensions. Please indicate the specific requirements on the layout



C2
90° Corner

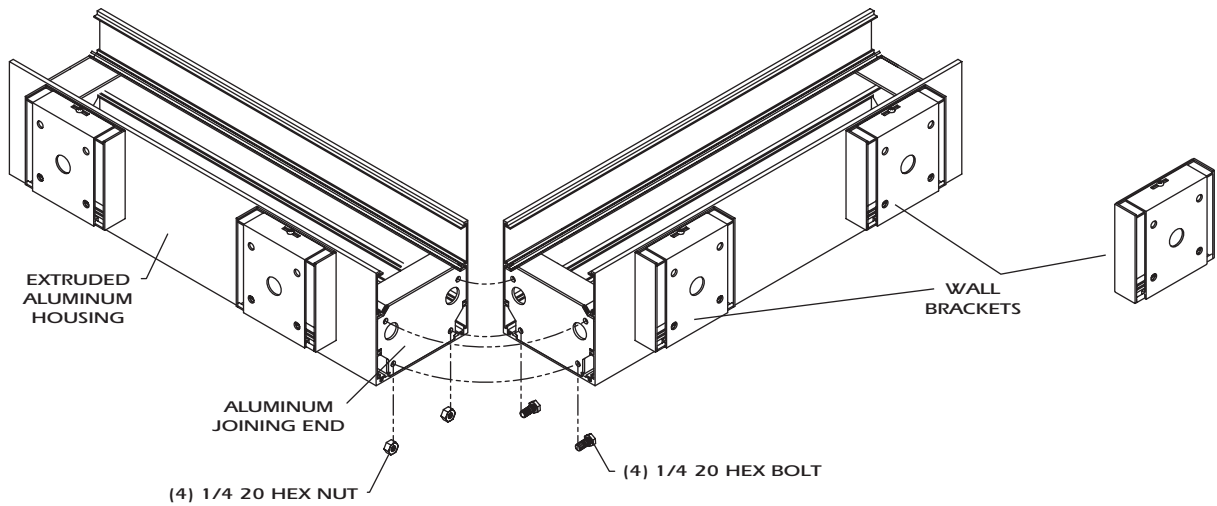


()° AC
Angular Corner

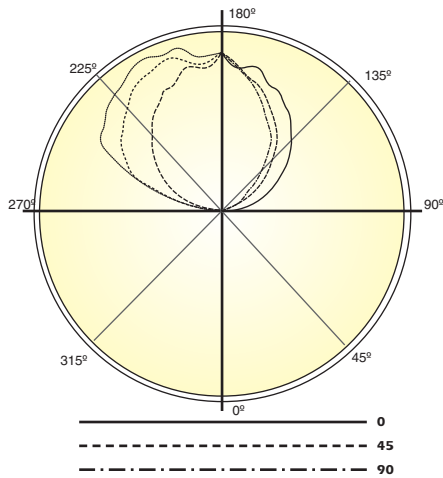
For any angular corner, ()° must be specified and dimensions must be included on the layout

For any pattern, a layout must accompany the order.

INSTALLATION PREPARATION



PHOTOMETRY



LAMP (1) 32W T8
LUMENS: 2900 PER LAMP

Candela Distribution:

Vert. Angle	0	22.5	45	67.5	90
90	1.22	0.15	0.00	0.13	1.37
95	32.6	11.6	0.54	11.2	35.4
100	88.6	115	59.1	112	92.2
105	148	260	225	256	146
110	202	374	391	376	202
115	257	459	530	453	258
120	312	518	629	515	304
125	358	552	669	549	362
130	408	594	680	590	402
135	454	627	714	620	452
140	492	662	719	658	500
145	549	695	759	703	533
150	557	720	790	722	572
155	615	740	786	738	609
160	640	715	774	740	635
165	648	726	755	697	644
170	650	699	739	704	651
175	656	728	723	714	699
180	667	667	667	667	667

Optical Distribution:
100% Indirect

Coefficients of Utilization - Zonal Cavity Method:

pfc = 0.20

	.8	.7	.5	.3	.1	0												
pcc	.8	.7	.5	.3	.1	0												
pw	.7	.5	.3	.1	.5	.3	.1	.5	.3	.1	0							
RCR																		
0	66	66	66	66	57	57	57	38	38	38	22	22	22	7	7	7	0	
1	60	57	55	53	51	49	47	45	33	32	31	19	18	18	6	6	5	0
2	55	50	46	43	47	43	40	37	29	27	26	17	16	15	5	5	4	0
3	50	44	39	35	42	37	34	31	26	23	21	15	13	12	4	4	4	0
4	45	39	34	30	39	33	29	26	23	20	18	13	11	10	4	3	3	0
5	41	34	29	25	35	29	25	22	20	17	15	11	10	9	3	3	3	0
6	38	30	25	21	32	26	22	19	18	15	13	10	9	7	3	2	2	0
7	35	27	22	18	30	23	19	16	16	13	11	9	8	6	3	2	2	0
8	32	24	19	16	27	21	17	14	14	12	10	8	7	6	2	2	1	0
9	30	22	17	14	25	19	15	12	13	10	8	7	6	5	2	2	1	0
10	28	20	15	12	23	17	13	10	12	9	7	7	5	4	2	1	1	0



Total Luminaire Optical Efficiency = 70.1%