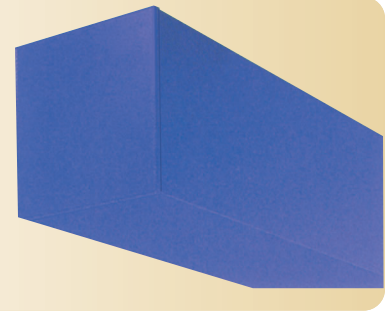
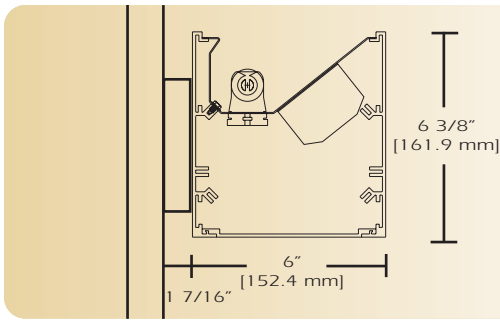


Squares

AD-66-IAI-WM



TYPE _____

FEATURES

The AD 66 architectural linear series are extraordinarily efficient aluminum luminaires. The AD 66 IAI WM is designed with an asymmetric inward indirect distribution for wall mounting. This series can be mounted individually, in perfectly aligned continuous rows, or in any combination of patterns. The AD 66 series is an ideal solution for open spaces and provides maximum design versatility.

SPECIFICATIONS

Housing: One piece heavy gauge extruded aluminum 6063T5 alloy welded construction forming a 6" x 6 3/8" profile. Finished end caps are welded to housing with no exposed hardware or knockouts.

Reflector: Die formed 20-gauge cold rolled steel minimum 90% reflectivity finished in high gloss baked white enamel.

Electrical: Ballast is electronic, high power factor, thermally protected class P, sound rated A, with less than 20% total harmonic distortion. The minimum number of ballasts will be used unless otherwise specified.

Mounting: Provided with wall mounting brackets measuring 5" square by 1 7/16" deep. Finished in white to match housing.

Finish: Fixture housing and steel components are finished in baked white enamel applied over a five-stage pretreatment process.

Lamps: Fixtures are provided for use with one 32 watt T8 lamps or 54 watt T5 HO lamps. (Supplied by Others)

Certification: Luminaires are U. L. Listed, C. S. A. certified and are Union Made in the United States of America I.B.E.W.

ORDERING GUIDE

MODEL NO.	DIRECTION	NO. OF LAMPS	LAMPS	MOUNTING	LENGTH	FINISH	VOLTAGE	OPTIONS
AD66	IAI	<input type="text" value="1"/>	<input type="text" value="17 T8 (2)"/>	<input type="text" value="WM= Wall"/>	<input type="text" value="2= ft"/>	<input type="text" value="W= White"/>	<input type="text" value="120v"/>	<input type="text" value="See Options Below"/>
AD66	IAI= Indirect/ Asymmetric In	1= 1	25 T8 (3) 32 T8 (4) 40 T8 (5) 28 T5 (4) 54 T5 HO (4) O=Other Specify	WM= Wall See Accessories	3= ft 4= ft 5= ft 6= ft 8= ft for other, please enter row length (eg. 48=48ft)	CC= Custom Color	277v	

Example: **AD-66-IAI-132T8-WM-4-W-120V**
 AD-66 indirect asymmetric in for one 32 watt T8 lamps wall mounted four foot fixture finished in baked white enamel 120v electronic ballast less than 20% total harmonic distortion.

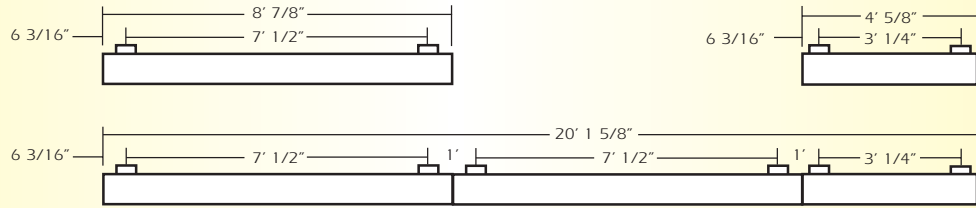
OPTIONS

- E10=** Electronic ballast, high power factor, thermally protected class P, sound rated A, < 10% total harmonic distortion
- DIM=** Dimming Ballast
- EPC=** Emergency Battery Pack
- EMC=** Emergency Circuit
- TCW=** Two Circuit Wiring
- TDW=** Tandem Wiring
- OTH=** See Accessories for other options available

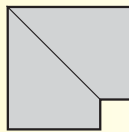
Squares

AD-66-IAI-WM

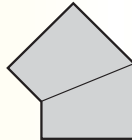
LINEAR SECTIONS AND SUSPENSION LOCATION



CORNERS Corners and fixture extensions are custom fabricated to precise dimensions. Please indicate the specific requirements on the layout



C2
90° Corner

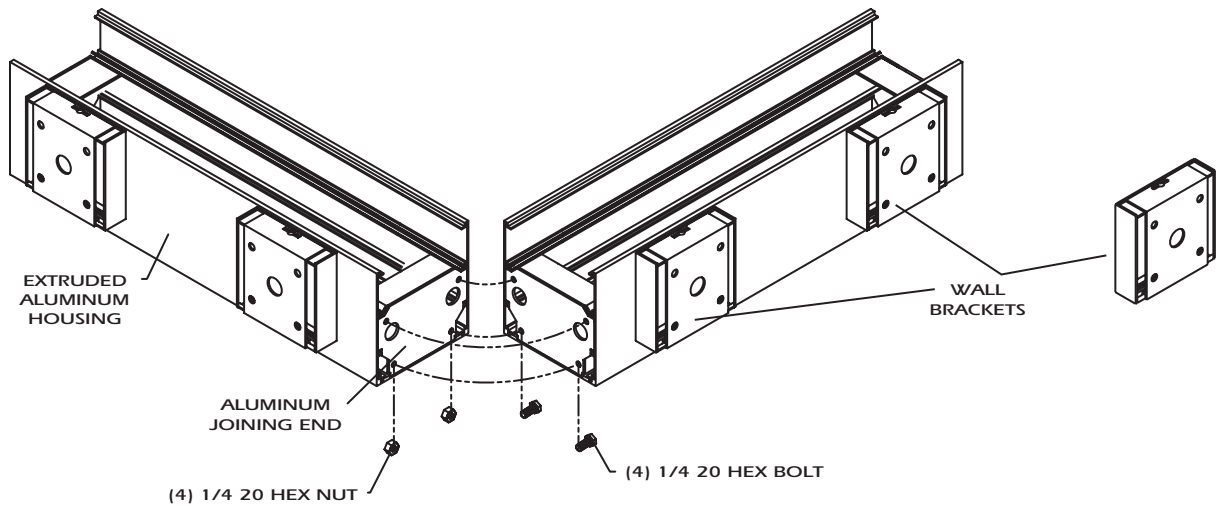


()° AC
Angular Corner

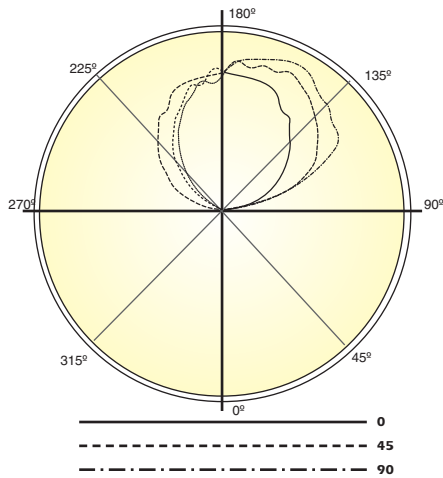
For any angular corner, ()° must be specified and dimensions must be included on the layout

For any pattern, a layout must accompany the order.

INSTALLATION PREPARATION



PHOTOMETRY



LAMP (1) 32W T8
LUMENS: 2900 PER LAMP

Candela Distribution:

Vert. Angle	0	22.5	45	67.5	90
90	2.05	0.26	0.00	0.13	0.94
95	32.1	2.18	0.13	2.01	32.5
100	95.4	13.8	6.34	13.1	93.6
105	150	30.7	19.7	30.3	151
110	202	57.1	37.8	55.6	208
115	261	86.0	56.4	92.1	249
120	304	144	85.2	144	307
125	353	212	125	203	360
130	407	265	187	263	410
135	452	319	260	335	455
140	492	389	318	373	497
145	543	438	390	430	533
150	572	484	437	478	492
155	612	526	481	523	617
160	622	575	533	577	639
165	675	612	590	608	647
170	671	636	631	658	647
175	666	689	675	662	704
180	727	727	727	727	727

Optical Distribution:
100% Indirect

Coefficients of Utilization - Zonal Cavity Method:

pfc = 0.20

	.8	.7	.5	.3	.1	0												
pcc	.8	.7	.5	.3	.1	0												
pw	.7	.5	.3	.1	.5	.3	.1	.5	.3	.1	0							
RCR																		
0	66	66	66	66	57	57	57	57	38	38	38	22	22	22	7	7	7	0
1	60	57	55	53	51	49	47	45	33	32	31	19	18	18	6	6	5	0
2	55	50	46	43	47	43	40	37	29	27	26	17	16	15	5	5	4	0
3	50	44	39	35	42	37	34	31	26	23	21	15	13	12	4	4	4	0
4	45	39	33	30	39	33	29	26	23	20	18	13	11	10	4	3	3	0
5	41	34	29	25	35	29	25	22	20	17	15	11	10	9	3	3	3	0
6	38	30	25	21	32	26	22	19	18	15	13	10	9	7	3	2	2	0
7	35	27	22	18	30	23	19	16	16	13	11	9	8	6	3	2	2	0
8	32	24	19	16	27	21	17	14	14	12	10	8	7	6	2	2	1	0
9	30	22	17	14	25	19	15	12	13	10	8	7	6	5	2	2	1	0
10	28	20	15	12	23	17	13	10	12	9	7	7	5	4	2	1	1	0



Total Luminaire Optical Efficiency = 70.1%