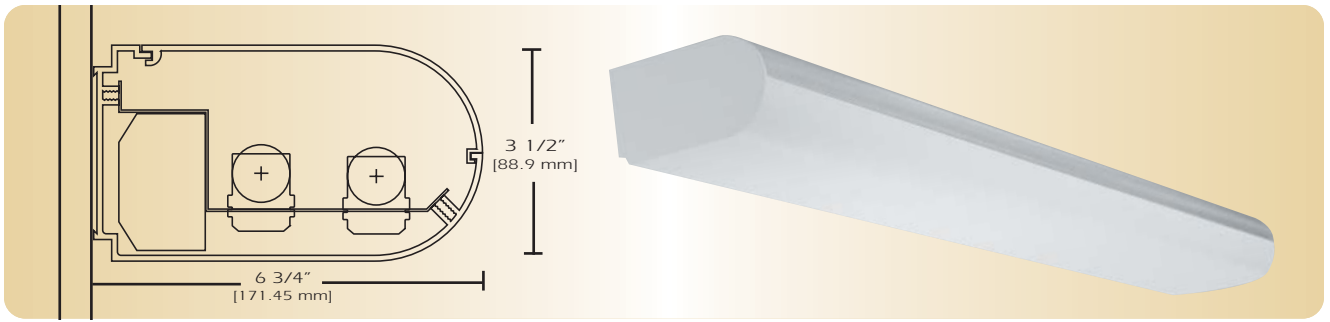


Ovals

AD-356-I-WM



TYPE _____

FEATURES

The AD356 oval aluminum luminaire is distinguished by its low profile and contemporary design. This high quality luminaire is suitable for most lighting systems and can be wall mounted to suit any project. The highly efficient design produces a uniform indirect light distribution. The AD356 is ideal where style quality and performance applications apply.

SPECIFICATIONS

Housing: One piece heavy gauge extruded aluminum 6063T5 alloy welded construction forming a 3 1/2" x 6 3/4" oval profile. Finished end caps are welded to housing with no exposed hardware or knockouts.

Reflector: Die formed 20-gauge cold rolled steel minimum 90% reflectivity finished in high gloss baked white enamel.

Shielding: Acrylic ribbed lens supplied as standard. Radial Baffle optional.

Electrical: Ballast is electronic, high power factor, thermally protected class P, sound rated A, with less than 20% total harmonic distortion. The minimum number of ballasts will be used unless otherwise specified.

Mounting: Standard mounting holes are 5 3/8" in from each end for ease of installation.

Finish: Fixture housing and steel components are finished in baked white enamel applied over a five-stage pretreatment process.

Lamps: Fixtures are provided for use with one or two 32 watt T8 lamps or 54 watt T5 HO lamps. (Supplied by Others)

Certification: Luminaires are U. L. Listed, C. S. A. certified and are Union Made in the United States of America I.B.E.W.

ORDERING GUIDE

MODEL NO.	DIRECTION	SHIELDING	LAMPS	MOUNTING	LENGTH	FINISH	VOLTAGE	OPTIONS
AD-356	I							
AD-356	I= Indirect	ARL= Acrylic Ribbed Lens RAB= Radial Baffle	132 T8 232 T8 154T5 HO 254T5 HO	WM= Wall Mounted	4= ft 8= ft	W= White CC= Custom Color	120v 277v	See Options Below
			O= Other Specify	See Accessories	for other, please enter row length (eg. 48=48ft)			

Example: **AD-356-I-ARL-232T8-WM-4-W-120V**
 AD356 Indirect with acrylic ribbed lens for two 32 watt T8 lamps wall mounted four foot fixture finished in baked white enamel 120v electronic ballast less than 20% total harmonic distortion.

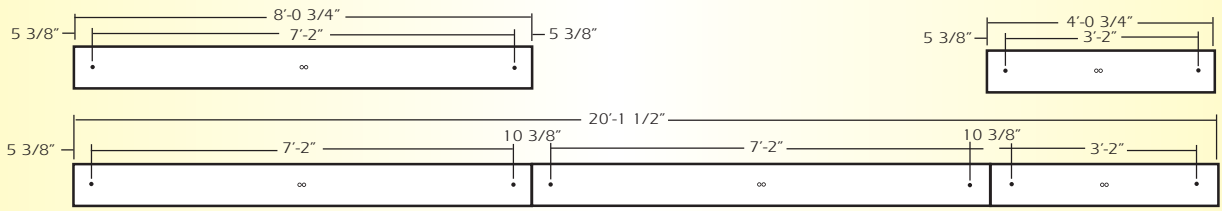
OPTIONS

- E10=** Electronic ballast, high power factor, thermally protected class P, sound rated A, < 10% total harmonic distortion
- DIM=** Dimming Ballast
- EPC=** Emergency Battery Pack
- EMC=** Emergency Circuit
- TCW=** Two Circuit Wiring
- TDW=** Tandem Wiring
- OTH=** See Accessories for other options available

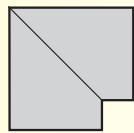
Ovals

AD-356-I-WM

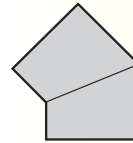
LINEAR SECTIONS AND SUSPENSION LOCATION



CORNERS Corners and fixture extensions are custom fabricated to precise dimensions. Please indicate the specific requirements on the layout



C2
90° Corner

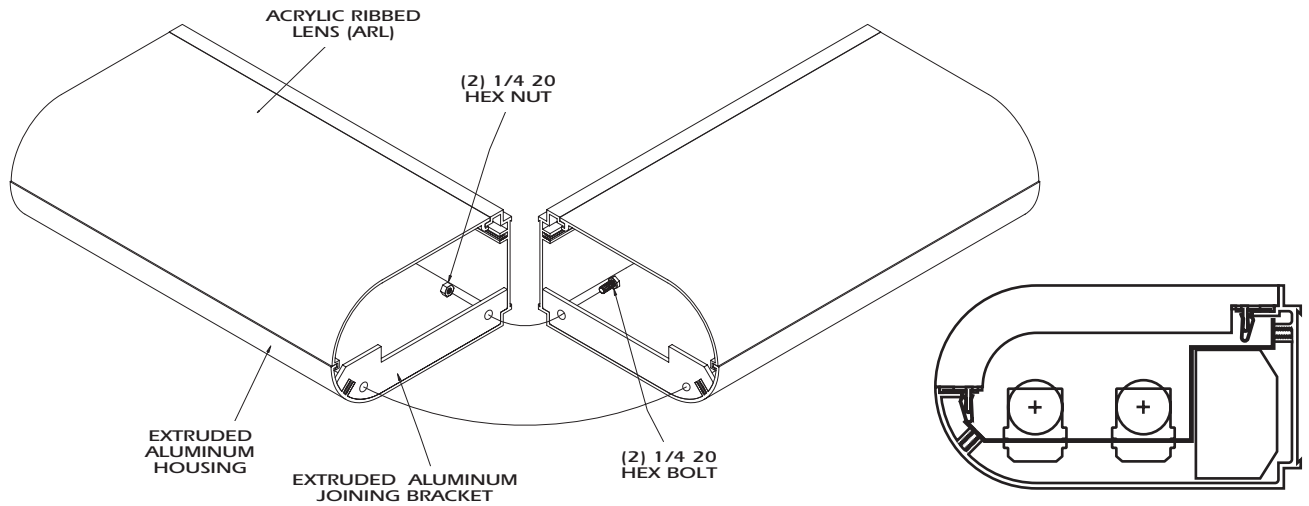


()° AC
Angular Corner

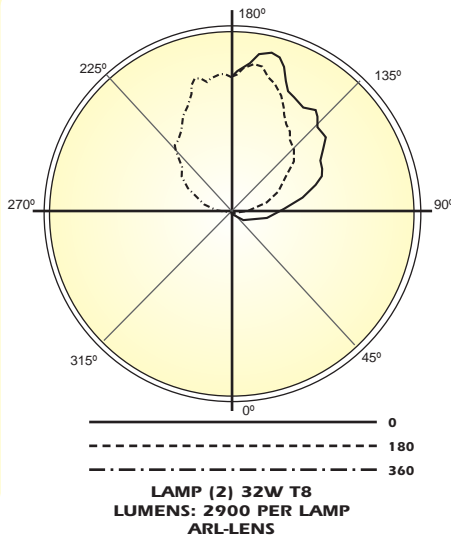
For any angular corner, ()° must be specified and dimensions must be included on the layout

For any pattern, a layout must accompany the order.

INSTALLATION PREPARATION



PHOTOMETRY



Candela Distribution:

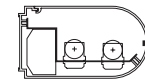
Vert. Angle	0	22.5	45	67.5	90
90	11.3	4.94	4.98	5.39	2.45
95	40.4	33.0	28.2	25.0	27.5
100	113	84.7	93.6	95.7	88.2
105	213	181	166	162	172
110	299	250	234	222	249
115	358	307	293	282	272
120	415	376	364	332	338
125	463	426	426	410	395
130	533	479	462	439	450
135	593	570	516	500	492
140	632	591	574	588	601
145	677	638	627	615	609
150	773	749	674	662	680
155	831	777	775	752	753
160	946	877	889	898	835
165	938	962	1000	1009	949
170	947	962	951	937	916
175	954	980	950	1004	950
180	923	923	923	923	923

Optical Distribution:
100% Indirect

Coefficients of Utilization - Zonal Cavity Method:

pfc = 0.20

	.8	.7	.5	.3	.1	0												
pcc	.8	.7	.5	.3	.1	0												
pw	.7	.5	.3	.1	.5	.3	.1	.5	.3	.1	0							
RCR																		
0	53	53	53	53	46	46	46	46	32	32	32	19	19	19	8	8	8	2
1	48	45	43	41	41	39	37	35	27	26	25	16	15	15	6	6	5	1
2	43	39	36	33	37	34	31	28	23	21	20	14	13	12	5	4	4	0
3	39	34	30	27	33	29	26	23	20	18	16	12	11	10	4	4	3	0
4	36	30	26	23	30	26	22	20	18	16	14	10	9	8	4	3	3	0
5	32	26	22	19	28	23	19	16	16	13	12	9	8	7	3	3	2	0
6	30	23	19	16	25	20	17	14	14	12	10	8	7	6	3	2	2	0
7	27	21	17	14	23	18	15	12	12	10	8	7	6	5	2	2	1	0
8	25	19	15	12	21	16	13	10	11	9	7	7	5	4	2	2	1	0
9	23	17	13	10	20	15	11	9	10	8	6	6	5	4	2	1	1	0
10	22	15	12	9	18	13	10	8	9	7	5	5	4	3	2	1	1	0



Total Luminaire Optical Efficiency = 55.6%