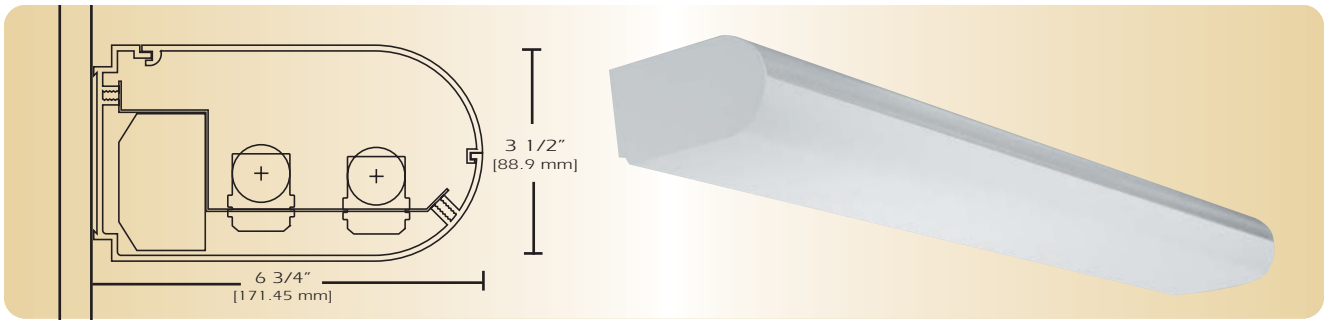


# Ovals

AD-356-I-WM



TYPE \_\_\_\_\_

FEATURES

The AD356 oval aluminum luminaire is distinguished by its low profile and contemporary design. This high quality luminaire is suitable for most lighting systems and can be wall mounted to suit any project. The highly efficient design produces a uniform indirect light distribution. The AD356 is ideal where style quality and performance applications apply.

SPECIFICATIONS

**Housing:** One piece heavy gauge extruded aluminum 6063T5 alloy welded construction forming a 3 1/2" x 6 3/4" oval profile. Finished end caps are welded to housing with no exposed hardware or knockouts.

**Reflector:** Die formed 20-gauge cold rolled steel minimum 90% reflectivity finished in high gloss baked white enamel.

**Shielding:** Acrylic ribbed lens supplied as standard. Radial Baffle optional.

**Electrical:** Ballast is electronic, high power factor, thermally protected class P, sound rated A, with less than 20% total harmonic distortion. The minimum number of ballasts will be used unless otherwise specified.

**Mounting:** Standard mounting holes are 5 3/8" in from each end for ease of installation.

**Finish:** Fixture housing and steel components are finished in baked white enamel applied over a five-stage pretreatment process.

**Lamps:** Fixtures are provided for use with one or two 32 watt T8 lamps or 54 watt T5 HO lamps. (Supplied by Others)

**Certification:** Luminaires are U. L. Listed, C. S. A. certified and are Union Made in the United States of America I.B.E.W.

ORDERING GUIDE

MODEL NO.	DIRECTION	SHIELDING	LAMPS	MOUNTING	LENGTH	FINISH	VOLTAGE	OPTIONS
<b>AD-356</b>	<b>I</b>							
<b>AD-356</b>	<b>I=</b> Indirect	<b>ARL=</b> Acrylic Ribbed Lens <b>RAB=</b> Radial Baffle	<b>132 T8</b> <b>232 T8</b> <b>154T5 HO</b> <b>254T5 HO</b>	<b>WM=</b> Wall Mounted	<b>4=</b> ft <b>8=</b> ft	<b>W=</b> White <b>CC=</b> Custom Color	<b>120v</b> <b>277v</b>	<b>See Options Below</b>
			<b>O=</b> Other Specify	See Accessories	for other, please enter row length (eg. 48=48ft)			

Example: **AD-356-I-ARL-232T8-WM-4-W-120V**  
 AD356 Indirect with acrylic ribbed lens for two 32 watt T8 lamps wall mounted four foot fixture finished in baked white enamel 120v electronic ballast less than 20% total harmonic distortion.

OPTIONS

- E10=** Electronic ballast, high power factor, thermally protected class P, sound rated A, < 10% total harmonic distortion
- DIM=** Dimming Ballast
- EPC=** Emergency Battery Pack
- EMC=** Emergency Circuit
- TCW=** Two Circuit Wiring
- TDW=** Tandem Wiring
- OTH=** See Accessories for other options available

