

TYPE _____

FEATURES

The AP 1 square steel architectural linear series is an aesthetically designed luminaire. The AP 1 series is a bi-directional wall mounted task lighting fixture distributing the light down and out for optimum performance. The simplicity of the AP 1 series is the solution for task areas while providing maximum design versatility to meet the perceived source of illumination for a specific environment.

SPECIFICATIONS

Housing: One piece die formed 20-gauge cold rolled steel welded construction forming a 6" x 5" square profile. Finished end caps are laser cut 18-gauge cold rolled steel, with no exposed hardware or knockouts. Intermediate end caps are provided for precision alignment of continuous rows.

Reflector: The rear-curved reflector is .025 specular anodized aluminum.

Electrical: Ballast is electronic, high power factor, thermally protected class P, sound rated A, with less than 20% total harmonic distortion. The minimum number of ballasts will be used unless otherwise specified.

Mounting: Standard mounting is surface mounted. See Accessories for additional mounting.

Finish: Fixture housing and steel components are finished in baked white enamel applied over a five-stage pretreatment process.

Lamps: Fixtures are provided for use with one or two 32 watt T8 lamps or 54 watt T5 HO lamps. (Supplied by Others)

Certification: Luminaires are U. L. Listed, C. S. A. certified and are Union Made in the United States of America. I.B.E.W.

ORDERING GUIDE

MODEL NO.	DIRECTION	LAMPS	MOUNTING	LENGTH	FINISH	VOLTAGE	OPTIONS
AP 1	D	132 T8 232 T8 154T5 HO 254T5 HO	S = Surface Mounted AC = Cable PD = Pendant	4 = ft 8 = ft	W = White CC = Custom Color	120v 277v	See Options Below
		O =Other Specify	See Accessories	for other, please enter row length (eg. 48=48ft)			

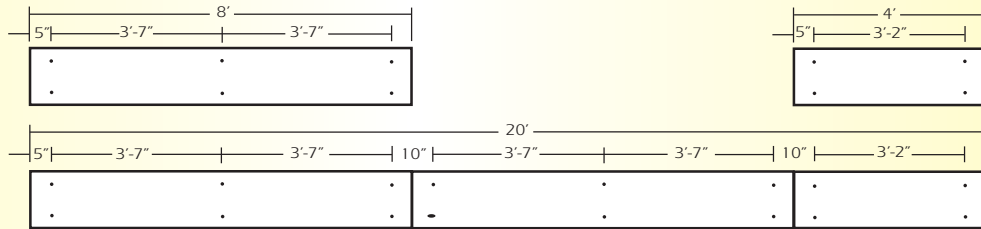
Example: **AP 1 D 232T8-S-4-W-120V**
AP 1 direct luminaire for two 32 watt T8 lamps surface mounted four foot fixture finished in baked white enamel 120v electronic ballast less than 20% total harmonic distortion.

OPTIONS

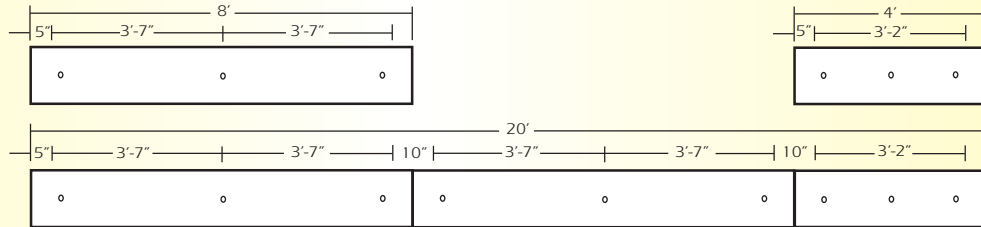
- E10=** Electronic ballast, high power factor, thermally protected class P, sound rated A, < 10% total harmonic distortion
- DIM=** Dimming Ballast
- EPC=** Emergency Battery Pack
- EMC=** Emergency Circuit
- TCW=** Two Circuit Wiring
- TDW=** Tandem Wiring
- OTH=** See Accessories for other options available

LINEAR SECTIONS AND SUSPENSION LOCATION

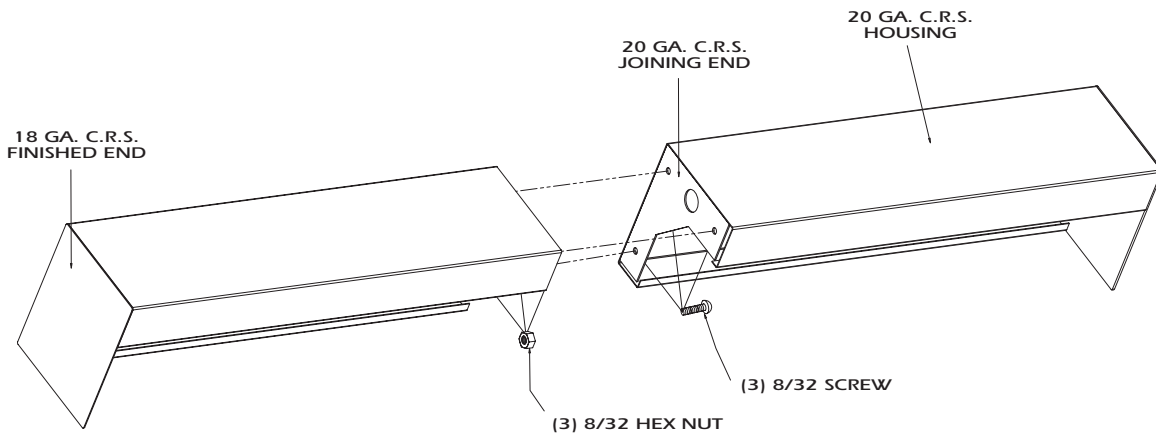
SURFACE MOUNTING



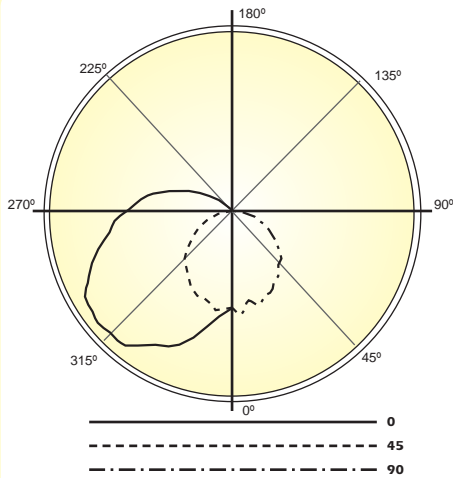
SUSPENSION MOUNTING



INSTALLATION PREPARATION



PHOTOMETRY



LAMP (2) 32W T8
LUMENS: 2900 PER LAMP

Candela Distribution:

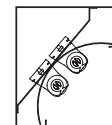
Vert. Angle	225	247.5	270	292.5	315
0	898	898	898	898	898
5	1027	923	965	915	992
10	1078	1056	1059	1164	1049
15	1173	1157	1184	1217	1157
20	1166	1288	1325	1260	1140
25	1238	1397	1412	1386	1244
30	1263	1444	1462	1443	1304
35	1362	1543	1553	1522	1341
40	1401	1550	1637	1539	1380
45	1393	1535	1637	1571	1360
50	1317	1511	1658	1557	1366
55	1290	1546	1632	1522	1316
60	1276	1562	1611	1567	1282
65	1179	1440	1499	1432	1219
70	1124	1332	1414	1327	1107
75	1036	1237	1296	1246	1018
80	898	1115	1182	1112	896
85	782	1007	1121	1051	766
90	679	909	998	885	667

Optical Distribution:
Direct/Indirect

Coefficients of Utilization - Zonal Cavity Method:

pfc = 0.20

RCR	.8	.7	.5	.3	.1	0
0	87	87	87	87	87	87
1	77	72	68	64	73	69
2	69	61	55	49	65	59
3	62	53	45	40	59	50
4	56	46	38	33	53	44
5	51	41	33	28	49	39
6	47	36	29	24	45	35
7	44	33	26	21	42	31
8	40	30	23	18	39	29
9	38	27	20	16	36	26
10	35	25	19	14	34	24



Total Luminaire Optical Efficiency = 75.6%