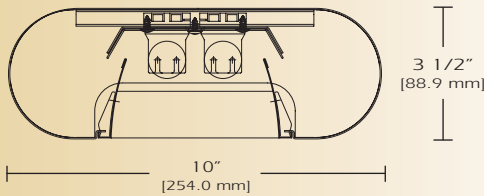


General Illumination

35S10-D



TYPE _____

FEATURES

The 35S10 D series is a direct version of the family of oval steel luminaires. The 35S10 D is designed with direct distribution for suspended or surface mounting. This series can be mounted individually, in perfectly aligned continuous rows, or in any of combination of patterns. This series is available with a variety of down light shielding. The 35S10 D series is an ideal solution for smaller spaces with lower ceiling heights.

SPECIFICATIONS

Housing: Two piece die formed 20-gauge cold rolled steel welded construction forming a 3 1/2" x 10" oval profile. Finished end caps are laser cut 18-gauge cold rolled steel, with no exposed hardware or knockouts. Adjustable mounting brackets provide precision alignment of continuous rows.
Reflector: Die formed 20-gauge cold rolled steel minimum 90% reflectivity finished in high gloss baked white enamel.
Shielding: Parabolic louver is semi-specular low iridescence aluminum 1 1/4" x 4" O.C. with 12 cells per 4' section. Four spring clips secure snap in baffle including two tethers.
Electrical: Ballast is electronic, high power factor, thermally protected class P, sound rated A, with less than 20% total harmonic distortion. The minimum number of ballasts will be used unless otherwise specified.
Mounting: Standard installation is an adjustable self-locking aircraft cable assembly 48" x 3/32" in diameter with 5" canopy. One 16/4 SJT straight 54" cord is supplied with each power feed. Standard pendants are available in 24" lengths. See Accessories for additional mounting.
Finish: Fixture housing and steel components are finished in baked white enamel applied over a five-stage pretreatment process.
Lamps: Fixtures are provided for use with two or three 32 watt T8 lamps or 54 watt T5 HO lamps. (Supplied by Others)
Certification: Luminaires are U. L. Listed, C. S. A. certified and are Union Made in the United States of America. I.B.E.W.

ORDERING GUIDE

MODEL NO.	DIRECTION	SHIELDING	LAMPS	MOUNTING	LENGTH	FINISH	VOLTAGE	OPTIONS
35S10	D							
35S10	D=Direct	PBL=Parabolic Louver SCB=Steel Cross Baffle PRS=Prismatic Acrylic WOA=White Opal Acrylic	232T8 332T8 254T5 HO 354T5 HO O=Other Specify	AC= Cable PD= Pendant S= Surface See Accessories	4= 4 ft 8= 8 ft for other, please enter row length (eg. 48=48ft)	W= White CC= Custom Color	120v 277v	See Options Below

Example: **35S10-D-PBL-232T8-AC-4-W-120V**

Example: 35S10 direct with parabolic louver for two 32 watt T8 lamps including two 48 inch aircraft cables and power feed four foot fixture finished in baked white enamel 120v electronic ballast less than 20% total harmonic distortion.

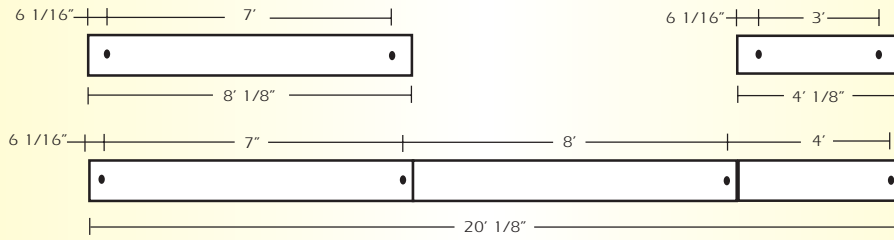
OPTIONS

- E10=** Electronic ballast, high power factor, thermally protected class P, sound rated A, < 10% total harmonic distortion
- DIM=** Dimming Ballast
- EPC=** Emergency Battery Pack
- EMC=** Emergency Circuit
- TCW=** Two Circuit Wiring
- TDW=** Tandem Wiring
- OTH=** See Accessories for other options available

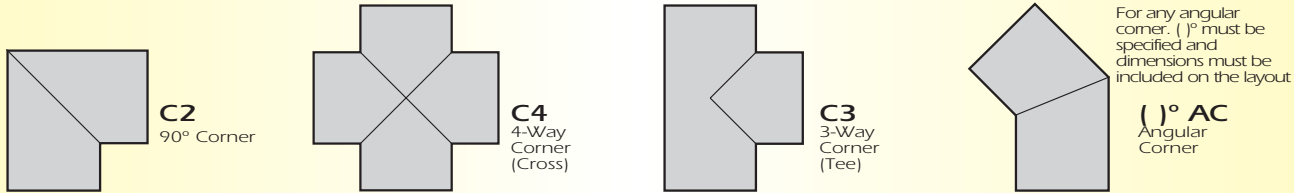
General Illumination

35S10-D

LINEAR SECTIONS AND SUSPENSION LOCATION

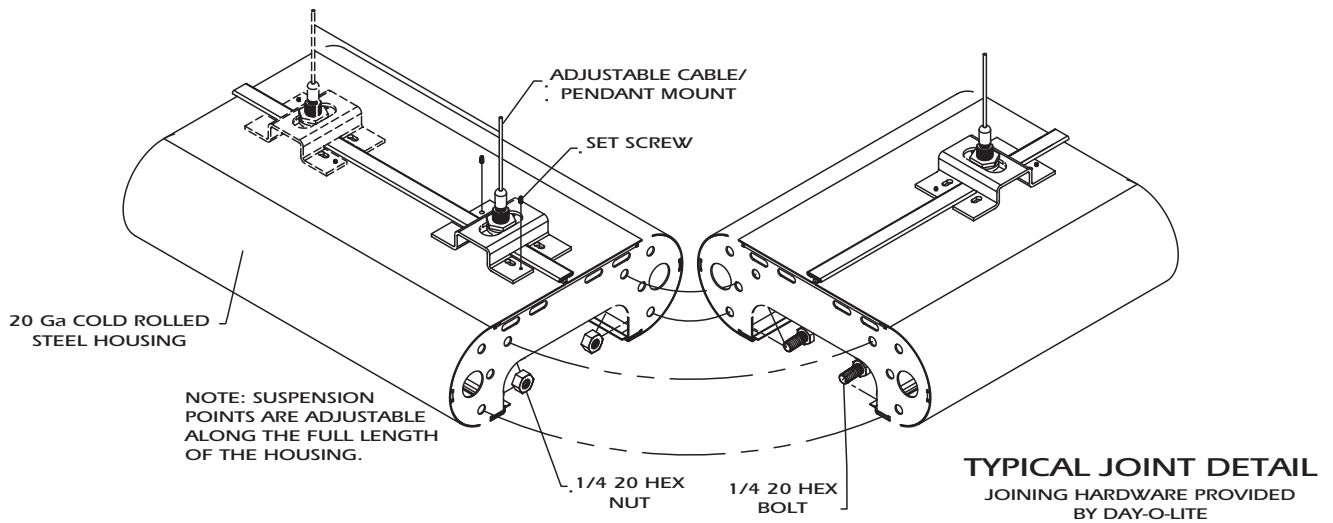


CORNERS Corners and fixture extensions are custom fabricated to precise dimensions. Please indicate the specific requirements on the layout.

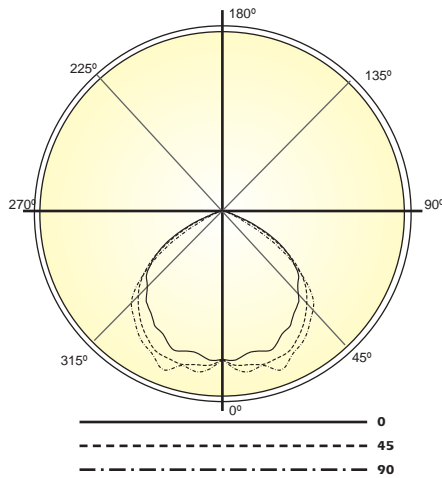


For any pattern, a layout must accompany the order.

INSTALLATION PREPARATION



PHOTOMETRY



LAMP (2) 32W T8
LUMENS: 2900 PER LAMP
PARABOLIC LOUVER

Candela Distribution:

Vert. Angle	0	22.5	45	67.5	90
0	1304	1304	1304	1304	1304
5	1312	1350	1362	1314	1399
10	1268	1331	1370	1400	1429
15	1275	1313	1394	1413	1406
20	1288	1315	1379	1471	1488
25	1206	1292	1365	1399	1413
30	1172	1254	1304	1363	1364
35	1095	1201	1231	1277	1296
40	1036	1119	1141	1197	1211
45	932	1044	1044	1092	1127
50	868	923	922	963	941
55	730	772	751	731	688
60	572	595	532	456	393
65	339	357	299	206	136
70	132	149	100	49	25
75	38	42	22	13	7
80	12	12	8	4	3
85	2	3	2	1	1
90	1	1	0	0	0

Optical Distribution:
100% Direct

Coefficients of Utilization - Zonal Cavity Method:

pfc = 0.20

pcc	.8	.7	.5	.3	.1	0												
pw	.7	.5	.3	.1	.5	.3	.1	.5	.3	.1	0							
RCR	0	75	75	75	73	73	73	70	70	70	67	67	64	64	64	63		
1	70	68	65	63	68	66	64	62	63	62	60	61	60	59	59	58	57	56
2	64	60	56	53	63	59	55	53	57	54	51	55	52	50	53	51	49	48
3	59	53	49	45	58	52	48	45	50	47	44	49	46	43	47	45	42	41
4	54	47	42	38	53	47	42	38	45	41	38	44	40	37	42	39	37	35
5	50	42	37	33	49	42	37	33	40	36	33	39	35	32	38	35	32	31
6	46	38	33	29	45	38	33	29	37	32	29	35	31	28	35	31	28	27
7	43	35	29	26	42	34	29	26	33	29	25	32	28	25	31	28	25	24
8	40	32	26	23	39	31	26	23	30	26	23	29	25	22	29	25	22	21
9	37	29	24	20	36	28	24	20	28	23	20	27	23	20	26	23	20	19
10	35	27	22	18	34	26	22	18	26	21	18	25	21	18	24	21	18	17



Total Luminaire Optical Efficiency = 63.6%