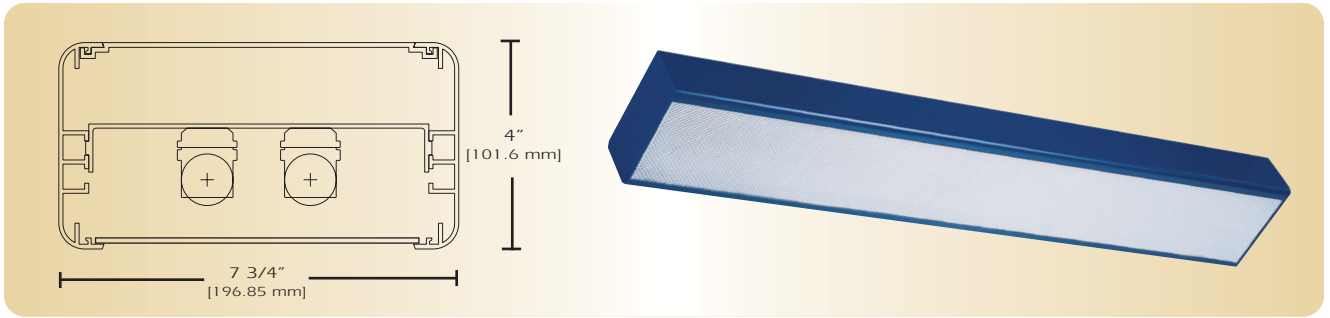


# Squares

AD-SS7-D



TYPE \_\_\_\_\_

FEATURES

The AD-SS7 soft square series is an extruded aluminum luminaire available with a clear prismatic acrylic lens. The luminaires can be mounted individually, in rows or in any of combination of patterns. The luminaires in this series provide low glare and widespread illumination. The simplicity of the AD-SS7 series is the solution for open spaces while providing maximum design versatility to meet the perceived source of illumination for a specific environment.

SPECIFICATIONS

- Housing:** Three piece heavy gauge extruded aluminum 6063T5 alloy welded construction forming a 4" x 7 3/4" soft square profile. Finished end caps are welded with no exposed hardware or knockouts.
- Reflector:** Die formed 20-gauge cold rolled steel minimum 90% reflectivity finished in high gloss baked white enamel.
- Shielding:** Standard lens is injection molded Prismatic Acrylic (PRS). Nominal thickness .125
- Electrical:** Ballast is electronic, high power factor, thermally protected class P, sound rated A, with less than 20% total harmonic distortion. The minimum number of ballasts will be used unless otherwise specified.
- Mounting:** Standard installation is an adjustable self-locking aircraft assembly 48" x 3/32" in diameter with 5" canopy. One 1/4" SJT straight 54" cord is supplied with each power feed. Standard pendants are available in 24" lengths. See Accessories for additional mounting.
- Finish:** Fixture housing and steel components are finished in baked white enamel applied over a five-stage pretreatment process.
- Lamps:** Fixtures are provided for use with one, two or three 32 watt T8 lamps or 54 watt T5 HO lamps. (Supplied by Others)
- Certification:** Luminaires are U. L. Listed, C. S. A. certified and are Union Made in the United States of America I.B.E.W.

ORDERING GUIDE

MODEL NO.	DIRECTION	SHIELDING	LAMPS	MOUNTING	LENGTH	FINISH	VOLTAGE	OPTIONS
<b>AD-SS7</b>	<b>D</b>							
<b>AD-SS7</b>	<b>D=</b> Direct	<b>PRS=</b> Prismatic Acrylic Lens <b>SCB=</b> Steel Cross Baffle <b>WOA=</b> White Opal Acrylic	<b>132 T8</b> <b>232 T8</b> <b>332 T8</b> <b>154T5 HO</b> <b>254T5 HO</b> <b>354T5 HO</b> <b>O=</b> Other Specify	<b>AC=</b> Cable <b>PD=</b> Pendant <b>S=</b> Surface <b>WM=</b> Wall Mounted  See Accessories	<b>4=</b> ft <b>8=</b> ft  for other, please enter row length (eg. 48=48ft)	<b>W=</b> White <b>CC=</b> Custom Color	<b>120v</b> <b>277v</b>	<b>See Options Below</b>

Example: **AD-SS7-D-PRS-232T8-AC-4-W-120V**  
 AD-SS7 direct with prismatic acrylic lens for two 32 watt T8 lamps including two 48 inch aircraft cables and power feed four foot fixture finished in baked white enamel 120v electronic ballast less than 20% total harmonic distortion.

OPTIONS

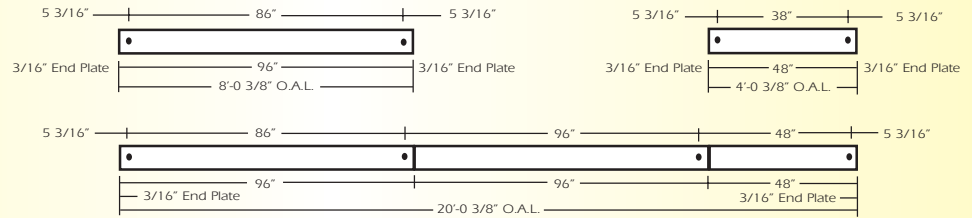
- E10=** Electronic ballast, high power factor, thermally protected class P, sound rated A, < 10% total harmonic distortion
- DIM=** Dimming Ballast
- EPC=** Emergency Battery Pack
- EMC=** Emergency Circuit
- TCW=** Two Circuit Wiring
- TDW=** Tandem Wiring
- OTH=** See Accessories for other options available

# Squares

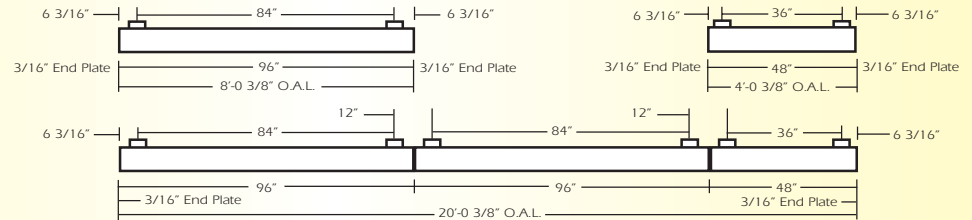
AD-SS7-D

LINEAR SECTIONS AND SUSPENSION LOCATION

## SUSPENSION MOUNTING

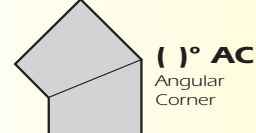
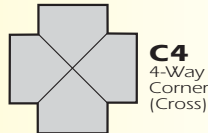
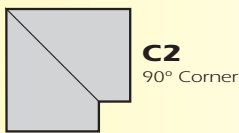


## WALL MOUNTING



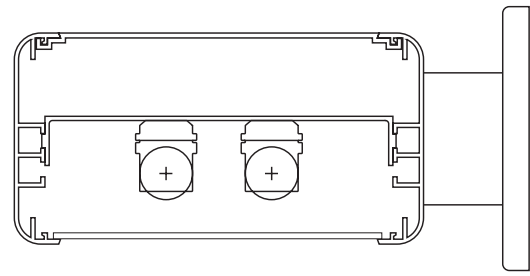
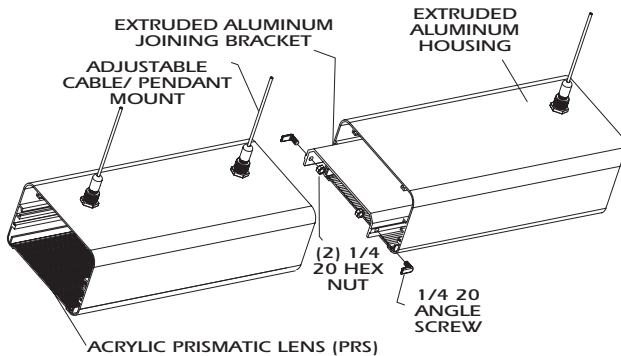
## CORNERS

Corners and fixture extensions are custom fabricated to precise dimensions. Please indicate the specific requirements on the layout



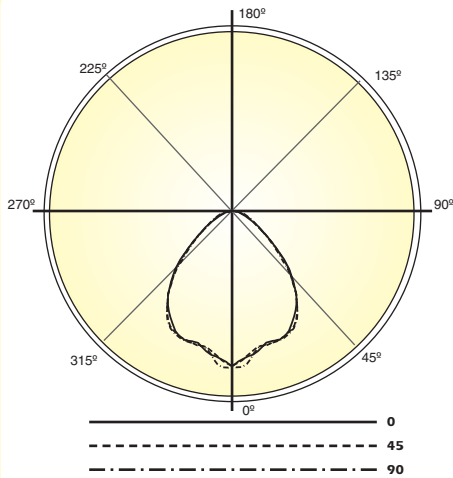
For any angular corner, ( )° must be specified and dimensions must be included on the layout  
For any pattern, a layout must accompany the order.

INSTALLATION PREPARATION



WALL BRACKET

PHOTOMETRY



LAMP (2) 32W T8  
LUMENS: 2900 PER LAMP

### Candela Distribution:

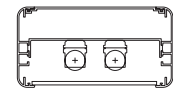
Vert. Angle	0	22.5	45	67.5	90
0	1619	1619	1619	1619	1619
5	1539	1602	1546	1587	1609
10	1495	1484	1454	1467	1458
15	1412	1432	1453	1427	1441
20	1431	1404	1417	1436	1432
25	1393	1392	1400	1409	1412
30	1293	1314	1347	1345	1340
35	1182	1190	1206	1207	1177
40	1015	1002	1017	985	981
45	837	820	789	767	742
50	610	597	598	560	528
55	446	430	413	393	386
60	300	298	284	275	275
65	211	208	198	193	190
70	159	152	149	147	155
75	113	107	109	109	110
80	65	66	63	69	69
85	19	17	23	27	29
90	2	2	3	6	6

Optical Distribution:  
100% Direct

### Coefficients of Utilization - Zonal Cavity Method:

pfc = 0.20

pcc	.8	.7	.5	.3	.1	0												
pw	.7	.5	.3	.1	.5	.3	.1	.5	.3	.1	0							
RCR	0	67	67	67	66	66	66	66	63	63	63	60	60	60	58	58	58	57
1	63	60	58	57	61	59	57	56	57	55	54	55	53	52	53	52	51	50
2	58	54	51	48	56	53	50	47	51	48	46	49	47	45	47	46	44	43
3	53	48	44	41	52	47	44	41	46	43	40	44	42	39	43	41	39	38
4	49	43	39	36	48	43	39	36	41	38	35	40	37	35	39	36	34	33
5	46	39	35	32	45	39	35	31	38	34	31	37	33	31	36	33	30	29
6	43	36	31	28	42	35	31	28	34	31	28	33	30	27	33	30	27	26
7	40	33	28	25	39	32	28	25	32	28	25	31	27	25	30	27	25	23
8	37	30	26	23	36	30	26	23	29	25	22	28	25	22	28	25	22	21
9	35	28	23	21	34	27	23	21	27	23	20	26	23	20	26	23	20	19
10	33	26	22	19	32	25	21	19	25	21	19	24	21	19	24	21	19	18



Total Luminaire Optical Efficiency = 56.4%