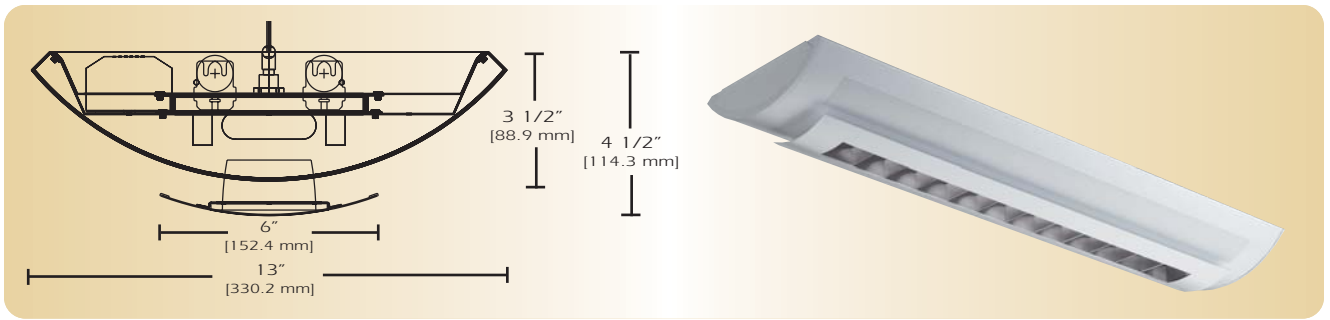


JAZZ Series

JAZ-1456



TYPE _____

FEATURES

The Jazz 1456 is one variation of a complete family of direct/indirect fluorescent luminaires. Constructed of perforated steel, it features uninterrupted, perfectly aligned continuous rows. The Jazz 1456 series is furnished with a suspended fluorescent task down light. The Jazz 1456 series can be furnished in a wide variety of perforated accent patterns in addition to the standard pattern. The standard pattern is two continuous perforated sections 5" wide on each side separated by a suspended parabolic louver in the center of the fixture. The perforations are 1/16" holes on 3/32" straight centers. Perforated corporate logos can also be supplied as a feature for reception areas and conference rooms. The computer designed optical system creates a widespread indirect distribution, while the variety of direct components provides useful contrast.

SPECIFICATIONS

Housing: Two piece die formed 20-gauge cold rolled steel welded construction forming a 13" x 4 1/2" rounded profile. Continuous perforated sections are 17/16" x 3/32" straight centers with white acrylic .020 translucent overlay. The design of the parabolic reflector provides uniform direct task lighting and precise optical control. Finished end caps are laser cut 18-gauge cold rolled steel, with no exposed hardware or knockouts. Special logo designs and perforated patterns are available.

Reflector: Die formed 20 gauge cold rolled steel minimum 90% reflectivity finished in high gloss baked white enamel. Die formed specular reflector is also available.

Electrical: Ballast is electronic, high power factor, thermally protected class P, sound rated A, with less than 20% total harmonic distortion. The minimum number of ballasts will be used unless otherwise specified.

Mounting: Standard Installation is an adjustable self-locking aircraft cable assembly 48" x 3/32" in diameter with 5" canopy. One 16/4 SJT straight 54" cord is supplied with each power feed. Standard pendants are available in 24" lengths. See Accessories for additional mounting.

Finish: Fixture housing and steel components are finished in baked white enamel applied over a five-stage pretreatment process.

Lamps: Fixtures are provided for use with two or three T8, T5 or T5 HO lamps for direct and indirect lighting. (Supplied by Others)

Certification: Luminaires are U. L. Listed, C. S. A. certified and are Union Made in the United States of America I.B.E.W.

ORDERING GUIDE

MODEL NO.	DIRECTION	SHIELDING	NO. OF LAMPS	LAMPS	MOUNTING	LENGTH	FINISH	VOLTAGE	OPTIONS
JAZ 1456	DI								
JAZ 1456	DI= Direct/ Indirect	PBL= Parabolic Louder SL= Special Logo	2 3	17T8 25T8 32T8 14T5 21T5 28T5 24T5HO 39T5HO 54T5HO	AC= Cable PD= Pendant See Accessories	2= ft 3= ft 4= ft 6= ft 8= ft for other, please enter row length (eg. 48=48ft)	W= White CC= Custom Color	120v 277v	See Options Below

Example: **JAZ-1456-DI-PBL-332T8-AC-4-W-120V**
 Jazz 1456 with downlight aperture direct/ indirect luminaire with parabolic louver shielding for two 32watt T8 with two 48 inch air craft cable and power feed four foot fixture finished in baked white enamel 120V electronic ballast less than 20% total harmonic distortion.

OPTIONS

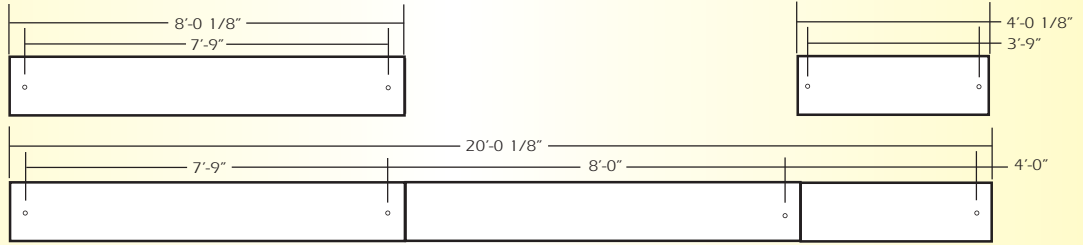
- E10=** Electronic ballast, high power factor, thermally protected class P, sound rated A, < 10% total harmonic distortion
- DIM=** Dimming Ballast
- EPC=** Emergency Battery Pack
- EMC=** Emergency Circuit
- TCW=** Two Circuit Wiring
- TDW=** Tandem Wiring
- QCW=** Quick Connect Wiring
- OTH=** See Accessories for other options available

JAZZ Series

JAZ-1456

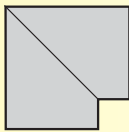
LINEAR SECTIONS AND SUSPENSION LOCATION

SUSPENSION MOUNTING

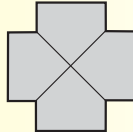


CORNERS

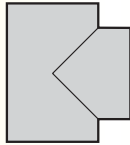
Corners and fixture extensions are custom fabricated to precise dimensions. Please indicate the specific requirements on the layout



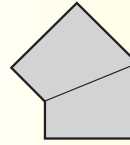
C2
90° Corner



C4
4-Way
Corner
(Cross)



C3
3-Way
Corner
(Tee)



()° AC
Angular
Corner

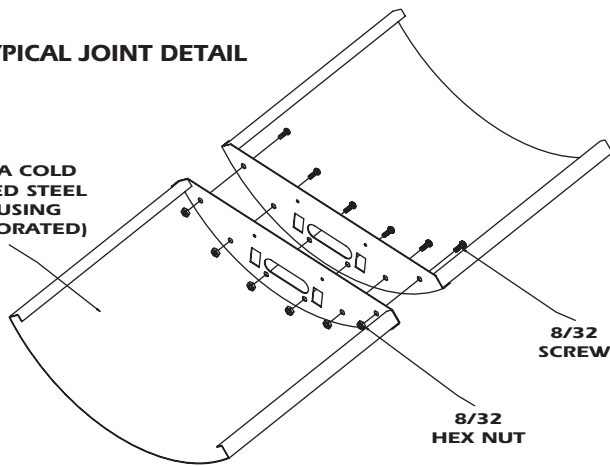
For any angular corner, ()° must be specified and dimensions must be included on the layout

For any pattern, a layout must accompany the order.

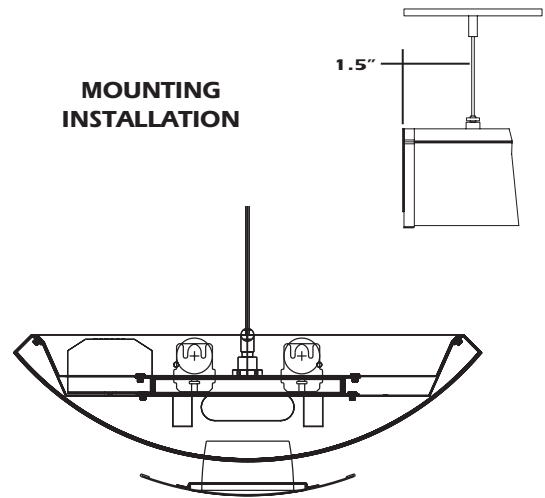
INSTALLATION PREPARATION

TYPICAL JOINT DETAIL

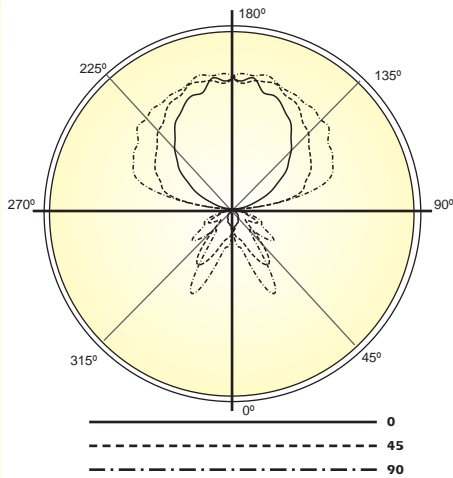
20 GA COLD ROLLED STEEL HOUSING (PERFORATED)



MOUNTING INSTALLATION



PHOTOMETRY



Candela Distribution:

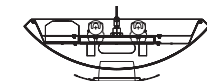
Vert. Angle	0	22.5	45	67.5	90
0	130	130	130	130	130
10	125	144	187	205	257
20	111	164	243	376	446
30	100	191	426	586	607
40	81.8	229	376	236	209
50	63.8	200	145	229	314
60	29.3	79.1	185	278	264
70	20.6	59.0	131	196	210
80	10.2	31.5	30.3	54.3	59.8
90	5.75	15.8	17.5	20.8	23.5
100	109	251	401	442	439
110	237	369	545	703	745
120	380	487	636	772	802
130	521	588	700	817	879
140	643	722	773	859	895
150	758	816	862	905	903
160	836	847	915	944	924
170	916	879	898	950	933
180	912	912	912	912	912

Optical Distribution:
Direct/Indirect

Coefficients of Utilization - Zonal Cavity Method:

pfc = 0.20

	.8	.7	.5	.3	.1	0
pcc	.8	.7	.5	.3	.1	0
pw	.7 .5 .3 .1	.7 .5 .3 .1	.5 .3 .1	.5 .3 .1	.5 .3 .1	0
RCR						
0	80 80 80 80	71 71 71 71	54 54 54	38 38 38	24 24 24	17
1	73 70 67 64	64 62 59 57	47 45 44	33 32 31	21 20 20	14
2	66 60 56 52	58 54 50 46	41 38 36	29 27 26	18 17 16	11
3	60 53 47 43	53 47 42 38	36 32 30	25 23 21	16 14 13	9
4	55 46 40 36	48 41 36 32	31 28 25	22 20 18	14 12 11	8
5	50 41 35 30	44 36 31 27	28 24 21	20 17 15	12 11 10	6
6	46 37 30 26	40 32 27 23	25 21 18	18 15 13	11 9 8	5
7	42 33 27 22	37 29 24 20	22 18 16	16 13 11	10 8 7	5
8	39 29 23 19	34 26 21 17	20 16 14	14 12 10	9 7 6	4
9	36 27 21 17	32 24 19 15	18 15 12	13 10 9	8 7 5	4
10	34 24 19 15	30 22 17 13	17 13 11	12 9 8	7 6 5	3



Total Luminaire Optical
Efficiency = 80.5%