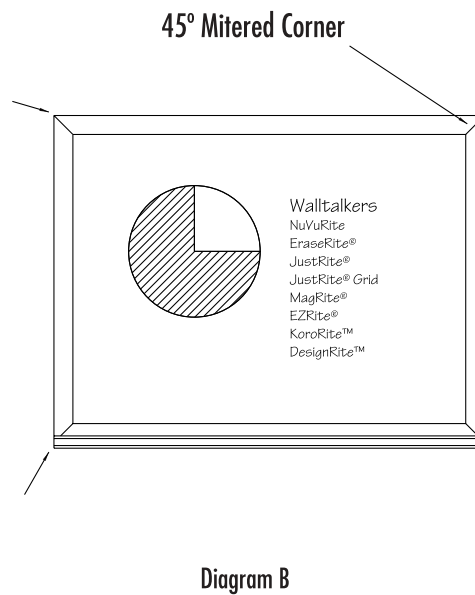
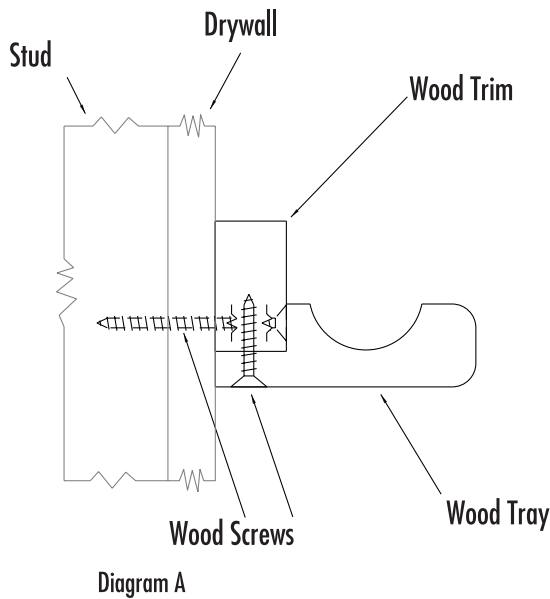


1. Examine goods to assure quantity and quality is as ordered. Lay out the work to be completed, including all parts, along the base of the wall. The parts will include those supplied by **walltalkers®** and those the installer must supply. **walltalkers** supplies the wood trim and tray in the quantities

ordered. The installer must supply the mounting hardware, wood filler, and touch-up finish. All trim should be installed with condition appropriate hardware 16" on center, as shown in Diagram A. The tray should be mounted to the trim 16" on center, slightly offset from the trim hardware locations.



- Determine the location of the trim on the wall. Mark the inside dimensions on the wall with something that will not permanently damage that surface. (Ex: If the material being framed is a **walltalkers** dry erase surface, use a dry erase marker to make the level and plumb lines.) Install the dry erase material and then overlap the edges with the trim. Overlapping will ensure a good edge appearance on the writing surface.
- Using the wall measurements, measure, mark, and cut the wood trim pieces to size. Use a miter saw to cut the corners at 45° angles, see Diagram B. Assure the trim pieces are square prior to gluing and mechanically fastening to the wall.
- For walls with wood backing or wood studs, install the bottom horizontal trim piece with **construction adhesive** and **#10 X 2" flat head wood screws**. Mark holes at each stud or 16" on center with solid wood backing, and approximately 1/4" up from the lower edge of the trim, as shown in Diagram A. Pre-drill, using a 1/8" bit, thru the trim at every mark. Use a counter-sink bit to make a slight indentation at each screw hole; the counter-sink hole will conceal the screw head. Apply construction adhesive to the back of the trim piece and apply to the substrate at the specified location. Now put in screws, the screws must make contact with wall studding or wood backing to properly support the marker

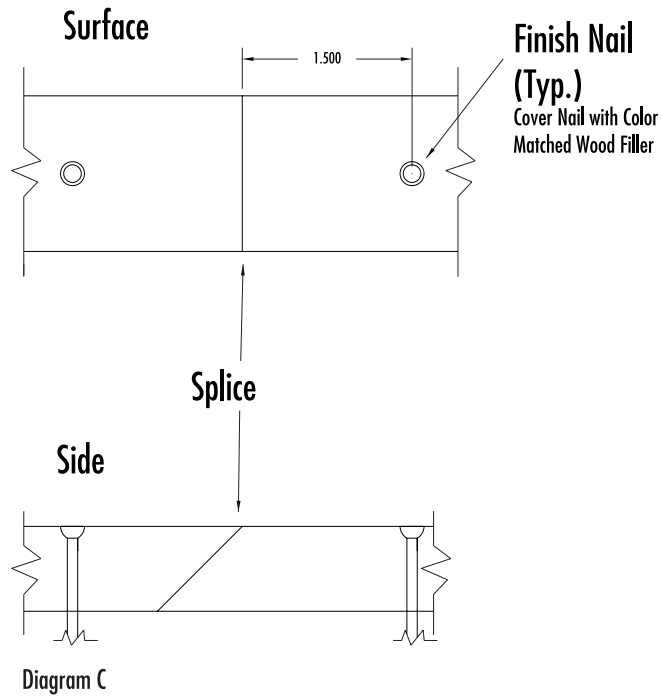
- tray. For installations on cement, block, or other dense substrate, use construction adhesive and condition appropriate hardware (i.e. masonry anchors, self tapping screws, etc.) The top and vertical pieces are decorative wood trim, install with construction adhesive. The construction adhesive will allow for slight adjustment of pieces for a proper fit. Finish nails may be used to hold the trim in place as the adhesive cures. After adhesive has cured, counter-sink or remove the nails and patch the hole with a wood filler of similar color. If no tray is specified, install the lower trim piece in the same manner as the other pieces.
- Most installations will require a full length marker tray, terminating at the outside edges of the dry erase material. Outside edges of the tray can be finished on site in a number of ways. The edges can be left as a blunt end, mitered to a 45° angle, etc. Terminations should then be finished with a similar stain and clear coated with a satin urethane finish.
- Install the tray with #10 X 1" wood screws, as shown in Diagram A. Like the trim installation, pre-drill 1/8" holes and again use the counter-sink bit to create small cavities to hide the screw heads. Install wood screws every 16" on center slightly offset from the trim installation hardware.



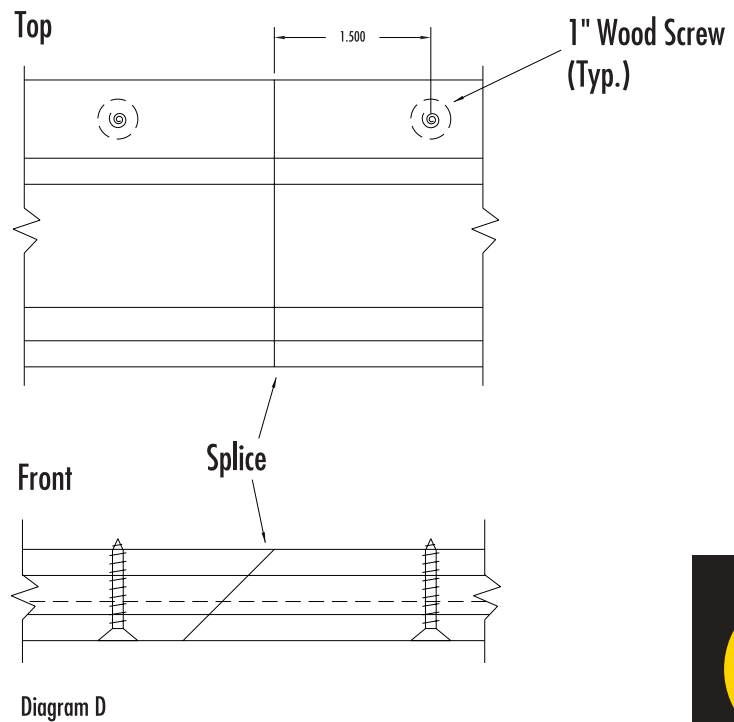
7. If a splice is required, follow Diagrams C and D. The spliced pieces of wood require 45° angle cuts for the joint to have a good appearance. Apply a small amount of the construction adhesive between the two pieces of trim. Press the pieces

together and install finishing nails, for trim, and screws, for tray, on each side of the splice, approximately 1½" from the splice. On the trim, counter-sink the finish nails and patch with wood filler of similar color.

Trim Splice



Tray Splice



wood trim and tray installation instructions

walltalkers

a division of RJF International Corporation

3875 Embassy Parkway
Fairlawn, OH 44333

PH: 800.820.9255 • Fax: 330.668.7703

7075WOD1111 5/01