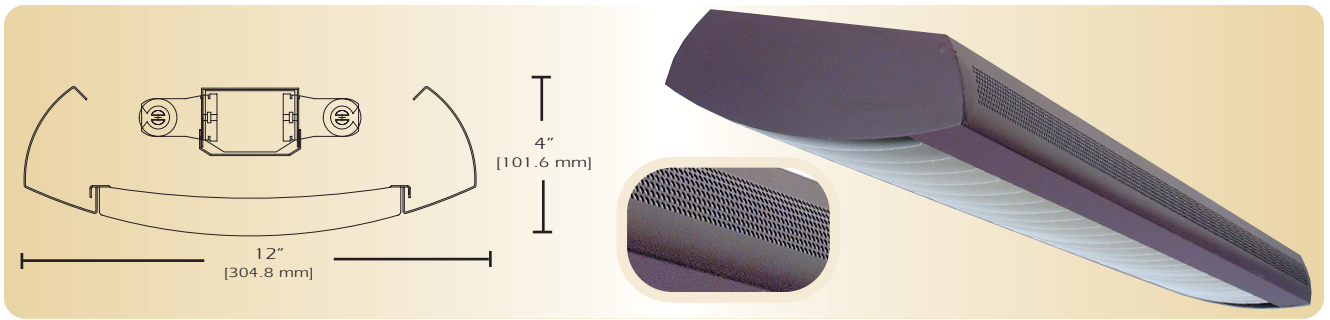


# Generation Series 3

G3-DI-3



**TYPE**

**FEATURES**

The G3-DI-3 is one variation of a complete family of direct/indirect fluorescent luminaires with a unique obround profile. Constructed of die formed steel, it features uninterrupted, perfectly aligned continuous rows. The G3-DI-3 series can be furnished in a wide variety of perforated accent patterns in addition to the standard pattern. The standard pattern is a continuous perforated section on each side panel. The perforations are 1/16" holes on 3/32" non-staggered centers. The computer designed optical system creates a widespread indirect distribution while the direct radial baffle provides visual contrast and excellent task lighting.

**SPECIFICATIONS**

**Housing:** Two piece die formed 20-gauge cold rolled steel welded construction forming a 4" x 12" rounded profile. Continuous perforation are 1/16" diameter x 3/32" straight centers with white .020 translucent overlay. Finished end caps are laser cut 16-gauge cold rolled steel, with no exposed hardware or knockouts. Intermediate end caps are provide to eliminate light leaks and for precision alignment of continuous rows.

**Reflector:** Die formed 20-gauge cold rolled steel minimum 90% reflectivity finished in high gloss baked white enamel.

**Baffle:** One-piece laser cut 20-gauge steel 4 foot long, steel cross baffle. The radius cross blades are spaced 1" high and 2" on center. The baffle is installed by lift and shift method and finished in matte white.

**Electrical:** Ballast is electronic, high power factor, thermally protected class P, sound rated A, with less than 20% total harmonic distortion. The minimum number of ballasts will be used unless otherwise specified.

**Mounting:** Standard Installation is an adjustable self-locking aircraft cable assembly 48" x 3/32" in diameter with 5" canopy. One 16/4 SJT straight 54" cord is supplied with each power feed. Standard pendants are available in 24" lengths. See Accessories for additional mounting.

**Finish:** Fixture housing and steel components are finished in baked white enamel applied over five-stage pretreatment.

**Lamps:** Fixtures are provided for use with two 32 watt T8 lamps. (Supplied by Others)

**Certification:** Luminaires are U. L. Listed C. S. A. certified and are Union Made in the United States of America I.B.E.W.

**ORDERING GUIDE**

MODEL NO.	DIRECTION	SHIELDING	LAMPS	MOUNTING	LENGTH	FINISH	VOLTAGE	OPTIONS
<b>G3</b>	<b>DI</b>	<b>3</b>						
<b>G3</b>	<b>DI=</b> Direct/Indirect	<b>3=</b> Perforated Continuous	<b>232T8</b>	<b>AC=</b> Cable <b>PD=</b> Pendant	<b>4=</b> 4 ft <b>8=</b> 8 ft	<b>W=</b> White <b>CC=</b> Custom Color	<b>120v</b> <b>277v</b>	<b>See</b> <b>Options</b> <b>Below</b>
			<b>O=</b> Other Specify	See Accessories				

Example: **G3-DI-3-232-T8-AC-4-W-277V**

Generation Three with continuous perforation for two 32 watt T8 lamps with two 48 inch aircraft cables and power feed four foot fixture finished in baked white enamel with 277volt electronic ballast less than 20% total harmonic distortion.

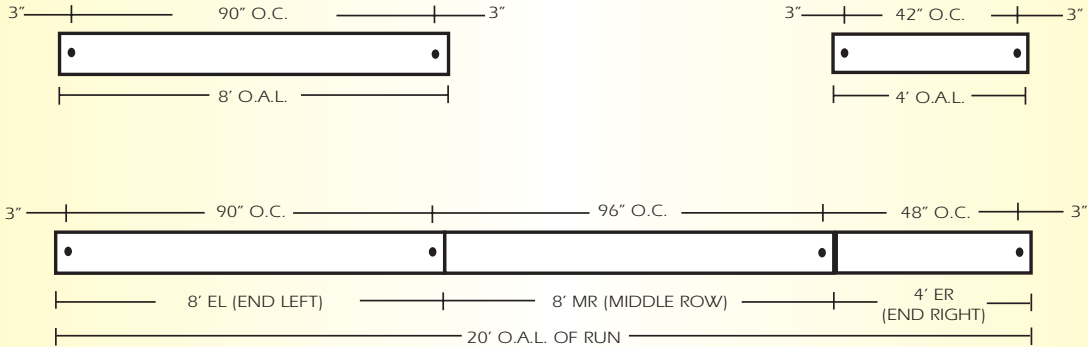
**OPTIONS**

- E10=** Electronic ballast, high power factor, thermally protected class P, sound rated A, < 10% total harmonic distortion
- DIM=** Dimming Ballast
- EPC=** Emergency Battery Pack
- EMC=** Emergency Circuit
- TCW=** Two Circuit Wiring
- TDW=** Tandem Wiring
- QCW=** Quick Connect Wiring
- OTH=** See Accessories for other options available

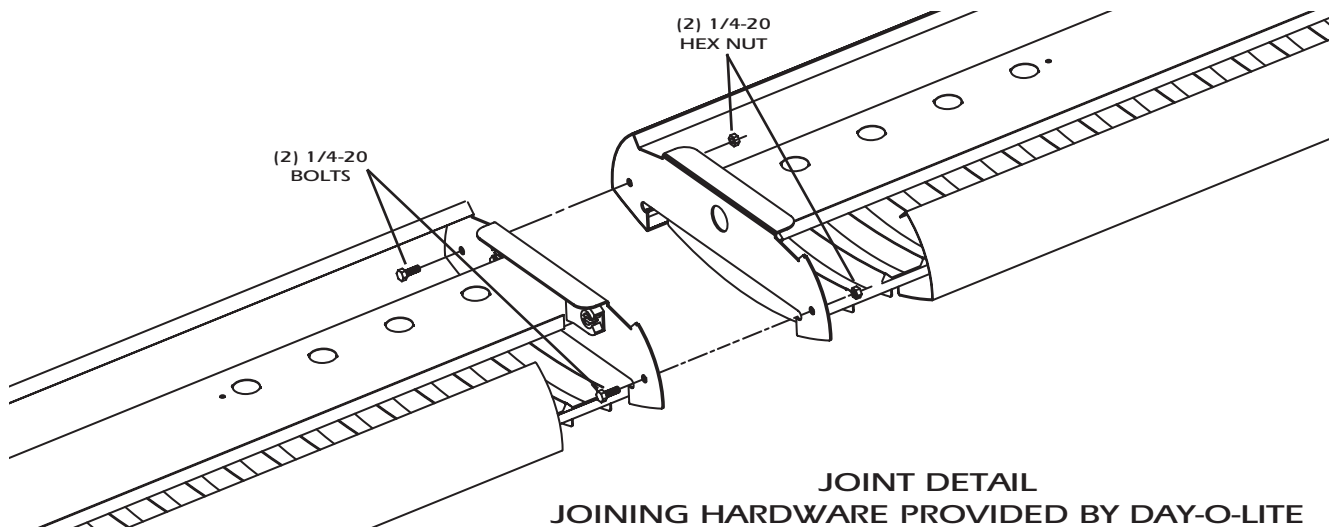
126 Chestnut Street, Warwick RI 02888  
 t. (401) 467-8232 / f. (401) 941-2960 / e. sales@dayolite.com  
 www.dayolite.com



LINEAR SECTIONS AND SUSPENSION LOCATION

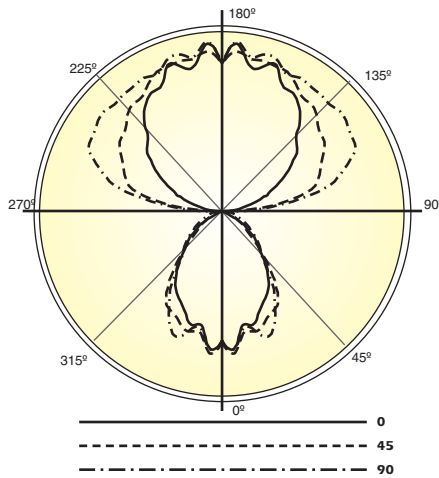


INSTALLATION PREPARATION



**JOINT DETAIL**  
JOINING HARDWARE PROVIDED BY DAY-O-LITE

PHOTOMETRY



LAMP (2) 32W T8  
LUMENS: 2900 PER LAMP

**Candela Distribution:**

Vert. Angle	0	22.5	45	67.5	90
0	621	621	621	621	621
5	663	589	684	625	670
15	565	557	599	650	590
25	477	531	546	593	599
35	389	424	462	430	423
45	253	306	258	250	264
55	160	176	138	162	186
65	50	54	78	100	122
75	18	27	42	60	80
85	8	18	29	39	41
95	48	142	193	224	227
105	153	276	451	504	554
115	271	375	524	671	713
125	409	475	602	713	741
135	505	557	649	725	736
145	641	648	678	753	743
155	683	713	747	752	736
165	723	734	758	741	790
175	817	770	779	767	827
180	718	718	718	718	718

**Optical Distribution:**  
72% Indirect: 28% Direct

**Coefficients of Utilization - Zonal Cavity Method:**

pfc = 0.20

	.8	.7	.5	.3	.1	0													
pw	.7	.5	.3	.1	.7	.5	.3	.1	.5	.3	.1	.5	.3	.1	0				
RCR	0	79	79	79	79	70	70	70	70	55	55	55	41	41	41	28	28	28	22
1	72	69	66	63	64	62	59	57	48	47	45	36	35	34	24	24	24	19	
2	66	60	56	52	59	54	51	48	43	40	38	32	31	29	20	20	20	16	
3	60	53	48	44	54	48	44	40	38	35	32	29	27	25	18	18	18	14	
4	55	47	42	37	49	43	38	34	34	31	28	26	24	22	15	15	15	13	
5	51	42	36	32	45	38	33	30	31	27	24	23	21	19	14	14	14	11	
6	47	38	32	28	42	34	29	26	28	24	21	21	19	17	12	12	12	10	
7	43	34	29	24	39	31	26	23	25	21	19	19	17	15	11	11	11	9	
8	40	31	25	22	36	28	23	20	23	19	17	18	15	13	10	10	10	8	
9	37	28	23	19	33	26	21	18	21	17	15	16	14	12	9	9	9	7	
10	35	26	21	17	31	24	19	16	19	16	13	15	13	11	8	8	8	7	



**Total Luminaire Optical Efficiency = 77%**