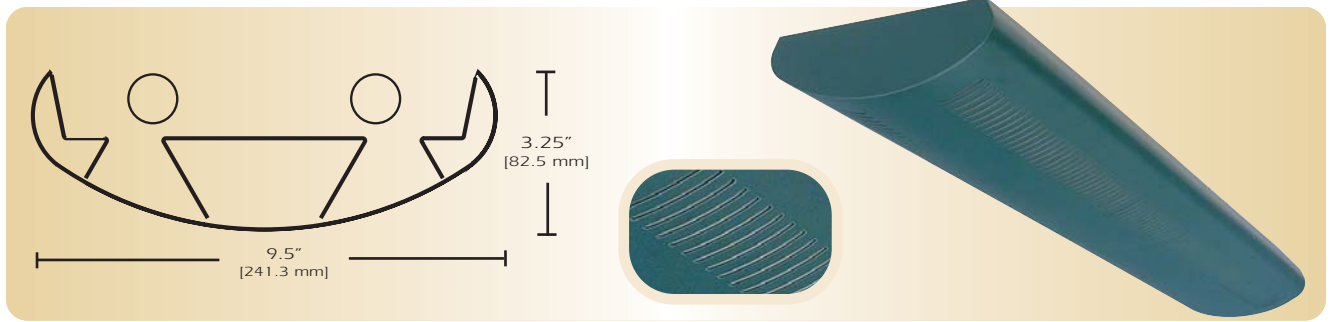


Generation Series 1

G1-DI-7



TYPE _____

FEATURES

The G1-DI-7 is one variation of a complete family of suspended linear fluorescent luminaires. The G1-DI-7 is a direct/indirect version of the family of luminaires. The computer designed optical system creates a widespread indirect distribution while the variety of direct components provides contrast. The low profile and modern design provide excellent efficiency and styling where high performance and uniform lighting are required.

SPECIFICATIONS

Housing: One piece die formed 20-gauge cold rolled steel welded construction forming a 9.50" x 3.25" rounded profile. Rectangular pattern is 1 15/16" x 1/8" straight with white .020 translucent overlay. Finished end caps are laser cut 16-gauge cold rolled steel, with no exposed hardware or knockouts. Aligner brackets are provided to eliminate light leaks and for precision alignment of continuous rows.

Reflector: Die formed 20-gauge cold rolled steel minimum 90% reflectivity finished in high gloss baked white enamel with die formed .025 specular anodized aluminum side reflectors.

Electrical: Ballast is electronic, high power factor, thermally protected class P, sound rated A, with less than 20% total harmonic distortion. The minimum number of ballasts will be used unless otherwise specified.

Mounting: Standard Installation is an adjustable self-locking aircraft cable assembly 48" x 3/32" in diameter with 5" canopy. One 1/4 SJT straight 54" cord is supplied with each power feed. Standard pendants are available in 24" lengths. See Accessories for additional mounting.

Finish: Fixture housing and steel components are finished in baked white enamel applied over a five-stage pretreatment process.

Lamps: Fixtures are provided for use with one, two or three 32 watt T8 lamps or 54 watt T5 HO lamps. (Supplied by Others)

Certification: Luminaires are U. L. Listed, C. S. A. certified and are Union Made in the United States of America I.B.E.W.

ORDERING GUIDE

MODEL NO.	DIRECTION	SHIELDING	LAMPS	MOUNTING	LENGTH	FINISH	VOLTAGE	OPTIONS
G1	- DI	- 7	-	-	-	-	-	-
G1	DI= Direct/Indirect	7= Rectangular Continuous	132T8 232T8 332T8 154T5 HO 254T5 HO 354T5 HO O= Other Specify	AC= Cable PD= Pendant See Accessories	4= 4 ft 8= 8 ft 12= 12 ft for other, please enter row length (eg. 48=48ft)	W= White CC= Custom Color	120v 277v	See Options Below

Example: **G1-DI-7-232T8-AC-4-W-277V**

Generation One with rectangle slotted continuous pattern with opal overlay for two 32 watt T8 lamps with two 48 inch aircraft cables and power feed four foot fixture finished in baked white enamel with 277v electronic ballast less than 20% total harmonic distortion.

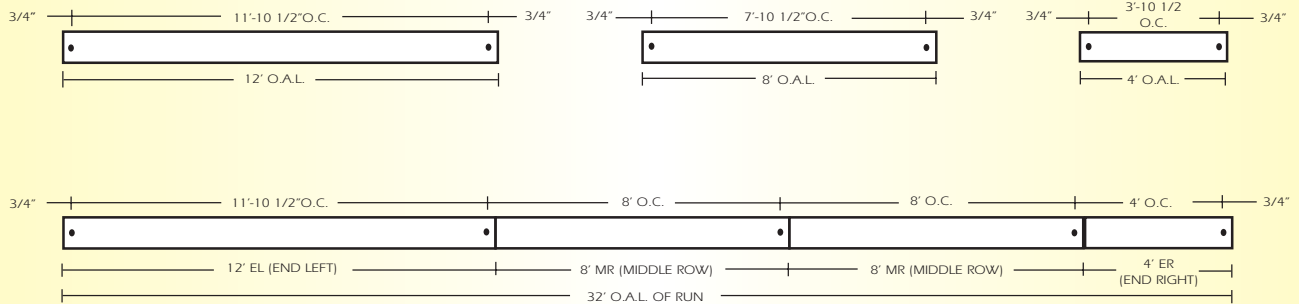
OPTIONS

- E10=** Electronic ballast, high power factor, thermally protected class P, sound rated A, < 10% total harmonic distortion
- DIM=** Dimming Ballast
- EPC=** Emergency Battery Pack
- EMC=** Emergency Circuit
- TCW=** Two Circuit Wiring
- TDW=** Tandem Wiring
- QCW=** Quick Connect Wiring
- OTH=** See Accessories for other options available

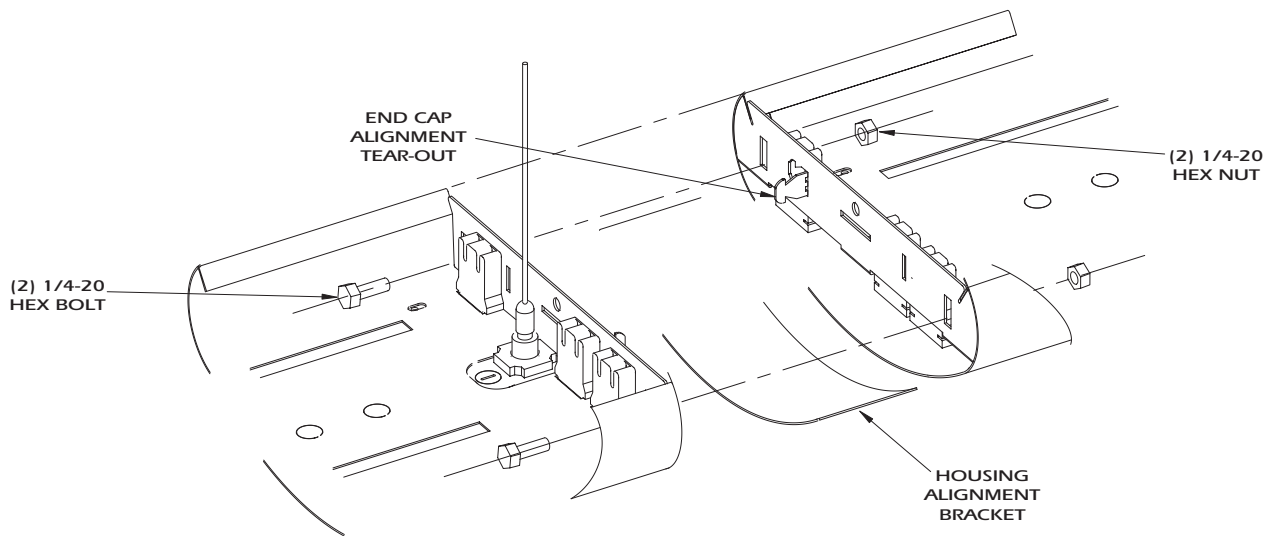
Generation Series 1

G1-DI-7

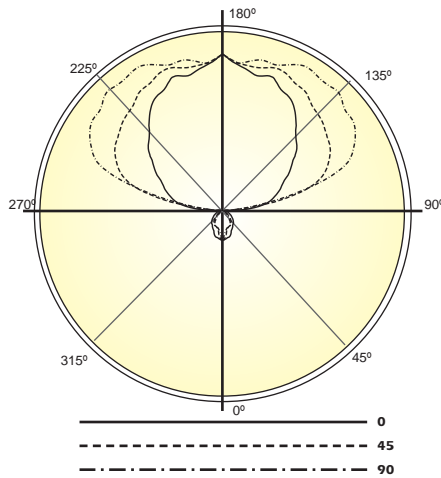
LINEAR SECTIONS AND SUSPENSION LOCATION



INSTALLATION PREPARATION



PHOTOMETRY



LAMP (2) 32W T8
LUMENS: 2900 PER LAMP

Candela Distribution:

Vert. Angle	0	22.5	45	67.5	90
0	214	214	214	214	214
5	209	221	203	182	146
15	207	167	133	131	131
25	171	133	122	118	126
35	143	111	112	88	93
45	116	96	71	48	42
55	83	71	35	23	29
65	56	36	18	20	17
75	46	18	15	13	11
85	39	30	19	10	7
95	183	229	159	128	119
105	300	501	694	698	666
115	413	605	861	1026	1073
125	574	713	937	1101	1165
135	721	801	988	1144	1229
145	880	927	1042	1170	1223
155	962	1025	1099	1150	1155
165	983	1040	1073	1093	1148
175	1092	1068	1053	1080	1110
180	1133	1133	1133	1133	1133

Optical Distribution:
93% Indirect: 7% Direct

Coefficients of Utilization - Zonal Cavity Method:

pfc = 0.20

	.8	.7	.5	.3	.1	0												
pcc	.8	.7	.5	.3	.1	0												
pw	.7	.5	.3	.1	.5	.3	.1	.5	.3	.1	0							
RCR																		
0	85	85	85	85	73	73	73	73	52	52	52	32	32	32	14	14	14	6
1	77	73	70	67	66	64	61	59	45	43	42	28	27	26	12	12	12	5
2	70	64	59	55	60	55	51	48	39	37	35	25	23	22	11	10	10	4
3	64	56	50	46	55	49	44	40	35	32	29	22	20	18	10	9	8	3
4	58	50	43	38	50	43	38	34	31	27	25	19	17	16	8	8	7	3
5	53	44	37	32	46	38	33	29	27	24	21	17	15	13	8	7	6	2
6	49	39	32	28	42	34	28	24	24	21	18	15	13	12	7	6	5	2
7	45	35	29	24	39	30	25	21	22	18	16	14	12	10	6	5	5	2
8	41	31	25	21	36	27	22	18	20	16	14	12	10	9	6	5	4	2
9	38	28	22	18	33	25	20	16	18	14	12	11	9	8	5	4	4	1
10	36	26	20	16	31	23	18	14	16	13	10	10	8	7	5	4	3	1



Total Luminaire Optical Efficiency = 87.9%