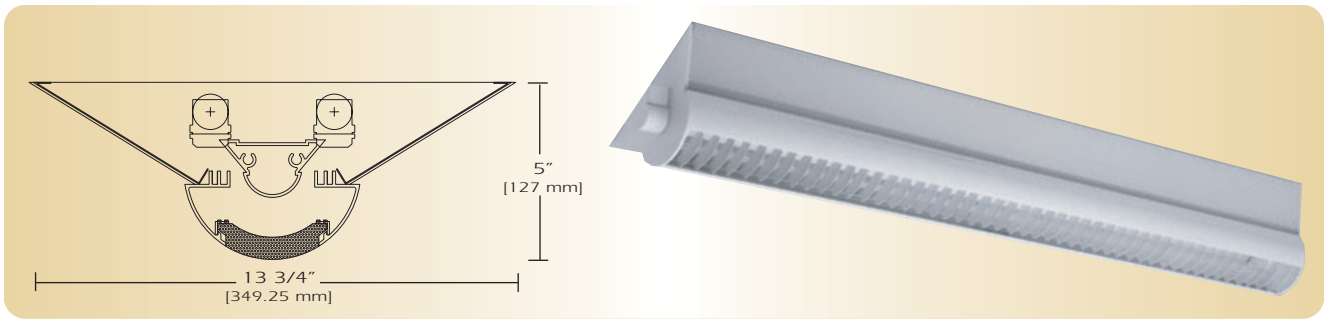


# Special Profiles

AD-VEC-514-DI



TYPE \_\_\_\_\_

FEATURES

The AD VEC 514 DI is the suspended mounted variation of this complete family of luminaires. A smooth laser cut welded end finishes the graceful contour of the extruded aluminum wings. The lower extruded housing can be provided with a perforated radial baffle or a parabolic louver for a useful direct component, which provides contrast. The winged basket is a solid aluminum construction or can be provided with parallelogram slots for accent to indirect component. The computer designed optical system creates a wide symmetric glare-free indirect component, which provides glare control and visual contrast. These fixtures can be mounted individually, in continuous rows or patterns and features a reveal between the modules in continuous rows.

SPECIFICATIONS

**Housing:** Two piece heavy gauge extruded aluminum 6063T5 alloy welded construction forming a 5" x 13 3/4" vector profile. Decorative die cast aluminum hanger assemblies are provided for mounting and joining individual fixtures into rows. Housing is also available with parallelogram slotted sides.

**Reflector:** Die formed 20-gauge cold rolled steel minimum 90% reflectivity finished in high gloss baked white enamel.

**Shielding:** Perforated radial baffle, also available with a parabolic semi specular low iridescent aluminum louver and a solid indirect fixture with solid bottom.

**Electrical:** Ballast is electronic, high power factor, thermally protected class P, sound rated A, with less than 20% total harmonic distortion. The minimum number of ballasts will be used unless otherwise specified.

**Mounting:** Standard installation is an adjustable self-locking aircraft assembly 48" x 3/32" in diameter with 5" canopy. One 16/4 SJT straight 54" cord is provided per power feed. Standard pendants are available in 24" lengths. See Accessories for additional mounting.

**Finish:** Fixture housing and steel components are finished in baked white enamel applied over a five-stage pretreatment process.

**Lamps:** Fixtures are provided for use with two or three 32 watt T8 lamp or 54 watt T5 HO lamp. (Supplied by Others)

**Certification:** Luminaires are U. L. Listed, C. S. A. certified and are Union Made in the United States of America I.B.E.W.

ORDERING GUIDE

MODEL NO.	DIRECTION	SHIELDING	SHIELDING	NO. OF LAMPS	LAMPS	MOUNTING	LENGTH	FINISH	VOLTAGE	OPTIONS
<b>AD-VEC 514</b>	<b>DI</b>									
<b>AD-VEC-514</b>	<b>DI</b> =Direct/Indirect <b>I</b> =Indirect	<b>1</b> = Solid <b>16</b> = Parallelogram Slots	<b>PRB</b> = Perforated Radial Baffle <b>PBL</b> = Parabolic Louver <b>SOL</b> = Solid	<b>2</b> <b>3</b>	<b>25T8</b> <b>32T8</b> <b>40T8</b> <b>28T5</b> <b>54T5 HO</b> <b>80T5 HO</b>	<b>AC</b> = Cable <b>PD</b> = Pendant	<b>4</b> <b>5</b> <b>6</b> <b>8</b> for other, please enter row length (eg. 48=48ft)	<b>W</b> = White <b>CC</b> = Custom Color	<b>120v</b> <b>277v</b>	<b>See Options Below</b>

Example: **AD VEC 514-DI-1-PRB-232T8-AC-4-W-120V**

AD VEC 514 direct/indirect solid sides perforated radial baffle for two T8 lamps including 48 inch aircraft cables and power feed four foot fixture finished in baked white enamel 120V electronic ballast less than 20% total harmonic distortion.

OPTIONS

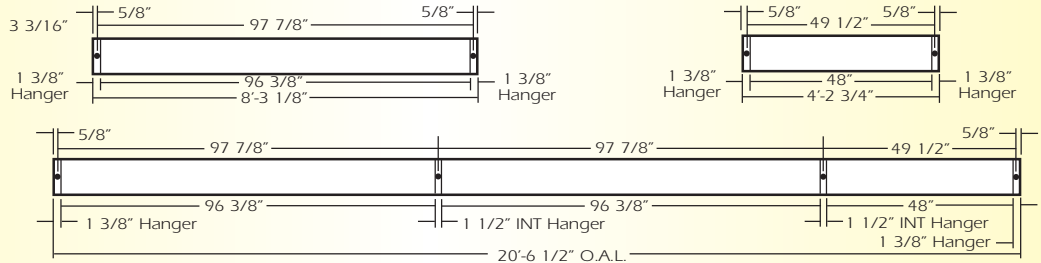
- E10=** Electronic ballast, high power factor, thermally protected class P, sound rated A, < 10% total harmonic distortion
- DIM=** Dimming Ballast
- EPC=** Emergency Battery Pack
- EMC=** Emergency Circuit
- SSH=** Slotted Sides on Housing
- TCW=** Two Circuit Wiring
- TDW=** Tandem Wiring
- OTH=** See Accessories for other options available

# Special Profiles

AD-VEC-514-DI

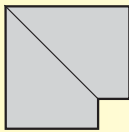
LINEAR SECTIONS AND SUSPENSION LOCATION

## SUSPENSION MOUNTING

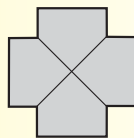


## CORNERS

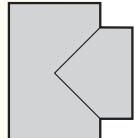
Corners and fixture extensions are custom fabricated to precise dimensions. Please indicate the specific requirements on the layout



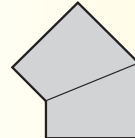
**C2**  
90° Corner



**C4**  
4-Way Corner (Cross)



**C3**  
3-Way Corner (Tee)



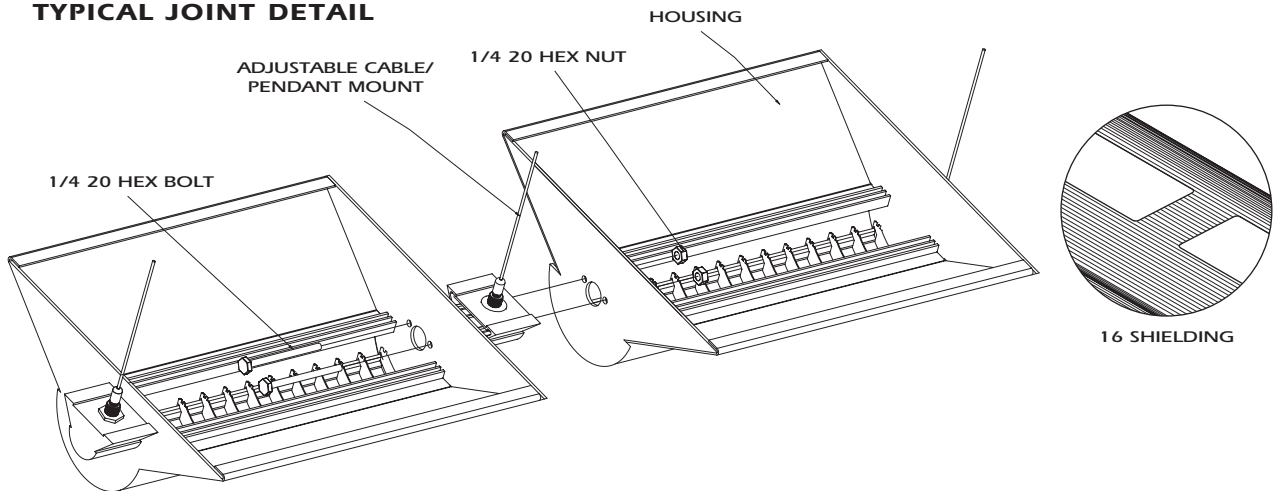
**( )° AC**  
Angular Corner

For any angular corner, ( )° must be specified and dimensions must be included on the layout

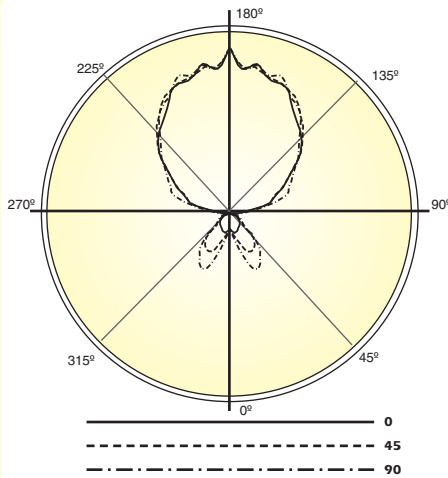
For any pattern, a layout must accompany the order.

INSTALLATION PREPARATION

## TYPICAL JOINT DETAIL



PHOTOMETRY



LAMP (2) 32W T8  
LUMENS: 2900 PER LAMP

### Candela Distribution:

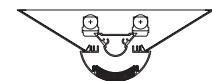
Vert. Angle	0	22.5	45	67.5	90
0	110	110	110	110	110
10	117	141	127	141	174
20	124	128	205	315	328
30	105	146	261	341	366
40	89.9	153	239	277	295
50	83.9	121	167	134	109
60	63.3	79.3	76.3	77.3	82.0
70	50.6	43.4	54.6	65.3	69.9
80	26.6	24.7	40.9	53.2	55.3
90	10.2	19.8	32.1	35.3	40.7
100	88.8	129	165	139	138
110	247	253	283	345	375
120	403	421	407	410	440
130	568	585	567	555	544
140	677	702	707	668	678
150	769	814	824	811	805
160	864	866	874	868	915
170	939	892	919	909	944
180	1027	1027	1027	1027	1027

Optical Distribution:  
80% Indirect: 20% Direct

### Coefficients of Utilization - Zonal Cavity Method:

pfc = 0.20

	.8	.7	.5	.3	.1	0
pcc	.8	.7	.5	.3	.1	0
pw	.7 .5 .3 .1	.7 .5 .3 .1	.5 .3 .1	.5 .3 .1	.5 .3 .1	0
RCR	0	59 59 59 59	52 52 52 52	39 39 39	27 27 27	17 17 17
1	54 51 49 47	47 45 43 42	34 33 32	24 23 22	14 14 14	9
2	49 45 41 38	43 39 36 34	30 28 26	21 20 18	12 12 11	8
3	44 39 35 32	39 35 31 28	26 24 22	18 17 15	11 10 9	6
4	41 34 30 26	36 30 27 24	23 20 18	16 14 13	10 9 8	5
5	37 30 26 22	32 27 23 20	20 18 16	14 13 11	9 8 7	5
6	34 27 22 19	30 24 20 17	18 15 13	13 11 10	8 7 6	4
7	31 24 20 17	27 22 18 15	16 14 12	12 10 8	7 6 5	3
8	29 22 17 14	25 19 16 13	15 12 10	10 9 7	6 5 4	3
9	27 20 15 13	23 18 14 11	13 11 9	9 8 6	6 5 4	3
10	25 18 14 11	22 16 12 10	12 10 8	9 7 6	5 4 3	2



Total Luminaire Optical Efficiency = 59.8%

SCW-2