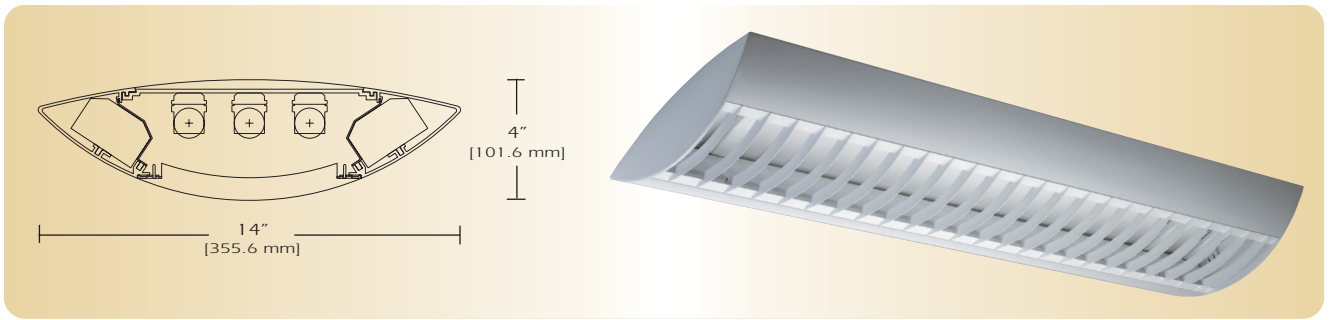


Special Profiles

AD-VEC-414



TYPE _____

FEATURES

The AD VEC 414 DI is the suspended mounted variation of this complete family of luminaires. A smooth laser cut welded end finishes the graceful elliptical contour of the extruded aluminum profile. The AD VEC 414 DI can be provided with a radial steel baffle, a radial aluminum baffle or parabolic louver for a variety of useful direct components. The computer designed optical system creates a wide symmetric glare-free indirect component. These fixtures can be mounted individually, in continuous runs or patterns.

SPECIFICATIONS

- Housing:** Two piece heavy gauge extruded aluminum 6063T5 alloy welded construction forming a 4" x 14" elliptical profile. Finished end caps are welded to housing with no exposed hardware or knockouts.
- Reflector:** Die formed 20-gauge cold rolled steel minimum 90% reflectivity finished in high gloss baked white enamel.
- Shielding:** Radial white aluminum baffle or perforated white radial baffle.
- Electrical:** Ballast is electronic, high power factor, thermally protected class P, sound rated A, with less than 20% total harmonic distortion. The minimum number of ballasts will be used unless otherwise specified.
- Mounting:** Standard installation is an adjustable self-locking aircraft assembly 48" x 3/32" in diameter with 5" canopy. One 1/4 SJT straight 54" cord is provided per power feed Standard pendants are available in 24" lengths. See Accessories for additional mounting.
- Finish:** Fixture housing and steel components are finished in baked white enamel applied over a five-stage pretreatment process.
- Lamps:** Fixtures are provided for use with two or three 32 watt T8 lamp or 54 watt T5 HO lamp. (Supplied by Others)
- Certification:** Luminaires are U. L. Listed, C. S. A. certified and are Union Made in the United States of America. I.B.E.W.

ORDERING GUIDE

MODEL NO.	DIRECTION	SHIELDING	NO. OF LAMPS	LAMPS	MOUNTING	LENGTH	FINISH	VOLTAGE	OPTIONS
AD-VEC 414	DI								
AD-VEC-414	DI=Direct/Indirect	RAB=Radial baffle PRB=Perforated radial baffle (PBL= Parabolic louver for flat end fixtures only)	2 3	25T8 32T8 21T5 28T5 39T5 HO 54T5 HO O=Other Specify	AC= Cable PD= Pendant See Accessories	4 5 6 8 for other, please enter row length (eg. 48=48ft)	W= White CC= Custom Color	120v 277v	See Options Below

Example: **AD VEC 414-DI-RAB-232T8-AC-4'-W-120V**
 AD VEC 414 direct/indirect with radial baffle for two 32 watt T8 lamps including two 48 inch aircraft cables and power feed four foot fixture finished in baked white enamel 120V electronic ballast less than 20% total harmonic distortion.

OPTIONS

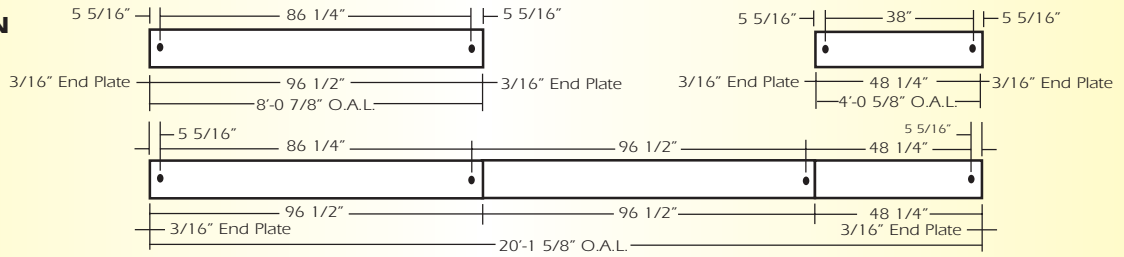
- E10=** Electronic ballast, high power factor, thermally protected class P, sound rated A, < 10% total harmonic distortion
- DIM=** Dimming Ballast
- EPC=** Emergency Battery Pack
- EMC=** Emergency Circuit
- TCW=** Two Circuit Wiring
- TDW=** Tandem Wiring
- OTH=** See Accessories for other options available

Special Profiles

AD-VEC-414

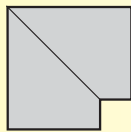
LINEAR SECTIONS AND SUSPENSION LOCATION

SUSPENSION MOUNTING

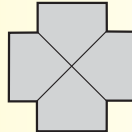


CORNERS

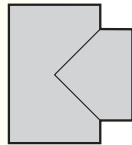
Corners and fixture extensions are custom fabricated to precise dimensions. Please indicate the specific requirements on the layout



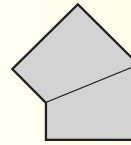
C2
90° Corner



C4
4-Way Corner (Cross)



C3
3-Way Corner (Tee)



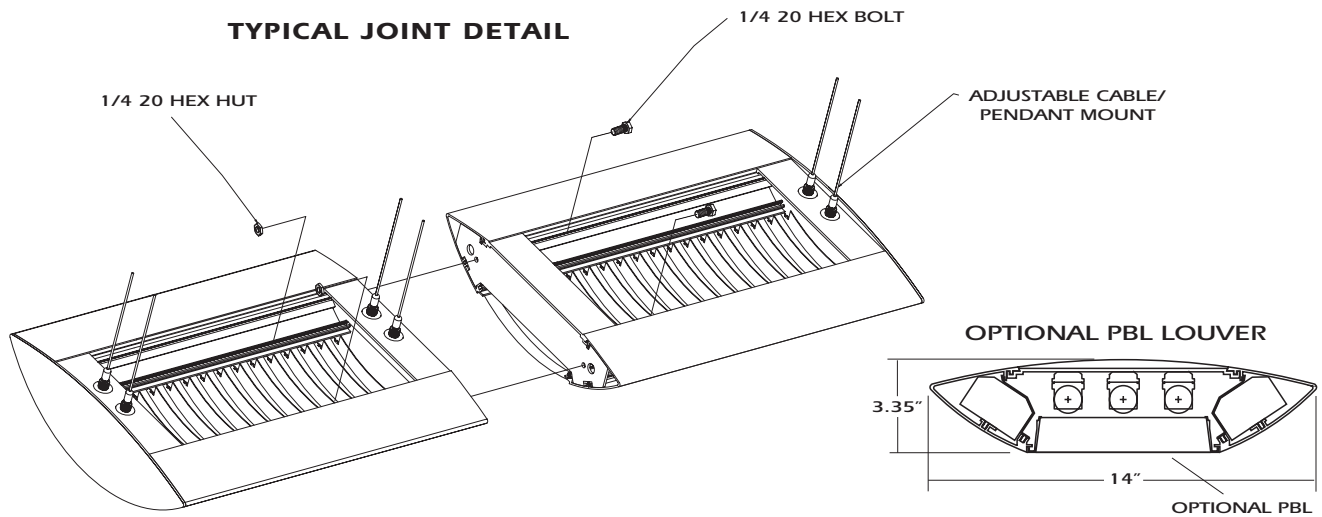
()° AC
Angular Corner

For any angular corner, ()° must be specified and dimensions must be included on the layout

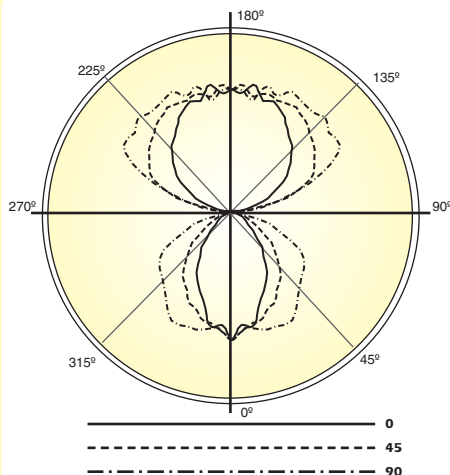
For any pattern, a layout must accompany the order.

INSTALLATION PREPARATION

TYPICAL JOINT DETAIL



PHOTOMETRY



LAMP (3) 32W T8
LUMENS: 2900 PER LAMP

Candela Distribution:

Vert. Angle	0	22.5	45	67.5	90
0	1188	1188	1188	1188	1188
10	1083	1041	1050	1115	1093
20	816	886	953	1087	1125
30	644	684	827	998	1129
40	428	494	679	829	940
50	212	312	465	644	851
60	123	168	236	528	697
70	59.8	69.2	98.2	227	361
80	20.6	24.8	26.3	44.9	109
90	7.87	12.1	12.4	18.9	18.8
100	155	286	280	288	277
110	333	507	707	731	722
120	539	661	882	1062	1132
130	705	821	979	1119	1155
140	845	915	1076	1158	1192
150	976	1022	1126	1178	1195
160	1080	1072	1109	1155	1143
170	1176	1075	1078	1117	1037
180	1126	1126	1126	1126	1126

Optical Distribution:
65% Indirect: 35% Direct

Coefficients of Utilization - Zonal Cavity Method:

pfc = 0.20

	.8	.7	.5	.3	.1	0
pcc	.8	.7	.5	.3	.1	0
pw	.7 .5 .3 .1	.7 .5 .3 .1	.5 .3 .1	.5 .3 .1	.5 .3 .1	0
RCR	0 83 83 83 83	75 75 75 75	60 60 60	46 46 46	34 34 34	28
1	76 73 70 67	68 66 63 61	53 51 50	41 40 39	30 29 29	24
2	69 64 59 55	62 58 54 50	47 44 41	36 34 33	27 26 25	20
3	63 56 50 46	57 51 46 42	41 38 35	32 30 28	24 22 21	17
4	58 50 44 39	52 45 40 36	37 33 30	29 26 24	21 20 18	15
5	53 44 38 33	48 40 35 31	33 29 26	26 23 21	19 17 16	13
6	49 40 33 29	44 36 31 27	29 25 22	23 20 18	18 16 14	12
7	45 36 29 25	41 33 27 23	27 23 20	21 18 16	16 14 13	10
8	42 32 26 22	38 29 24 21	24 20 17	19 16 14	15 13 11	9
9	39 29 24 20	35 27 22 18	22 18 16	18 15 13	13 12 10	8
10	36 27 21 18	33 25 20 16	20 17 14	16 14 12	12 11 9	8



Total Luminaire Optical Efficiency = 80.4%