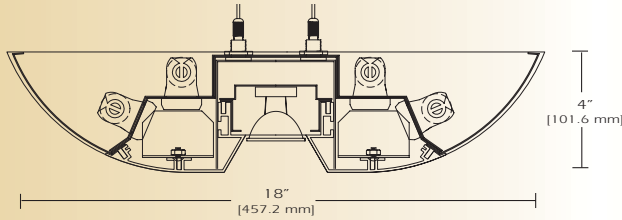


# Special Profiles

AD-VEC-418-DI



TYPE \_\_\_\_\_

FEATURES

The AD VEC 418 is a high performance luminaire and an elegant decorative product combined. The versatility in its lamp options and shielding elements creates a unique design statement. The dual suspension system is the appropriate mechanical and aesthetic hanging method for ease of installation. The AD VEC 418 is available as a direct/indirect lighting system featuring low voltage MR-16 lamps or fluorescent downlight that adds a direct lighting component.

SPECIFICATIONS

**Housing:** Two piece heavy gauge extruded aluminum 6063T5 alloy welded construction forming a 4" x 18" elliptical profile. Decorative end caps are welded with no exposed hardware or knockouts. Standard sides are perforated 20 gauge cold rolled steel 41% opening with a white .020 translucent overlay. Fixture is also available with solid sides. Standard lengths are up to 8'.

**Reflector:** Die formed 20-gauge cold rolled steel minimum 90% reflectivity finished in high gloss baked white enamel. Down light reflector is matte white aluminum.

**Electrical:** Ballast is electronic, high power factor, thermally protected class P, sound rated A, with less than 20% total harmonic distortion for indirect lighting with a transformer suitable for MR 16 lamp operation 75 W max. Dual circuit wiring. The minimum number of ballasts will be used unless otherwise specified.

**Mounting:** Standard Installation uses two adjustable self-locking aircraft cable assembly 48" x 3/32" in diameter with 5" canopy. One 16/4 SJT straight 54" cord is provided per power feed. Standard pendants are available in 24" lengths. See Accessories for additional mounting.

**Finish:** Fixture housing and steel components are finished in baked white enamel applied over a five-stage pretreatment process.

**Lamps:** Fixtures are provided for use with two or four 32 watt T8 lamp or 54 watt T5 HO lamp for indirect lighting and MR16 lamps for direct lighting located 6" from end and one foot centers per length of fixture. (Supplied by Others)

**Certification:** Luminaires are U. L. Listed, C. S. A. certified and are Union Made in the United States of America I.B.E.W.

ORDERING GUIDE

MODEL NO.	DIRECTION	SHIELDING	NO. OF LAMPS	LAMPS UP	LAMPS DOWN	MOUNTING	LENGTH	FINISH	VOLTAGE	OPTIONS
<b>AD-VEC 418</b>	<b>DI</b>	<input type="checkbox"/>	<input type="checkbox"/>	<input type="checkbox"/>	<input type="checkbox"/>	<input type="checkbox"/>	<input type="checkbox"/>	<input type="checkbox"/>	<input type="checkbox"/>	<input type="checkbox"/>
<b>AD VEC 418</b>	<b>DI=Direct/Indirect I=Indirect</b>	<b>PERF=</b> Perforated <b>1=</b> Solid	<b>2</b> <b>4</b>	<b>25T8</b> <b>32T8</b> <b>28T5</b> <b>54T5 HO</b>	<b>MR16</b> <b>125T8</b> <b>132T8</b> <b>128T5</b> <b>154T5 HO</b>	<b>AC=</b> Cable <b>PD=</b> Pendant	<b>3</b> <b>4</b> <b>6</b> <b>8</b>	<b>W=</b> White <b>CC=</b> Custom Color	<b>120v</b> <b>277v</b>	<b>See Options Below</b>
							for other, please enter row length (eg. 48=48ft)			
				<b>O=</b> Other Specify	<b>O=</b> Other Specify	See Accessories				

Example: **AD-VEC-418-DI-PERF-432T8/U-MR16/D-AC-4-W-120V**  
AD VEC 418 direct indirect with perforated sides 4T8 lamps up and MR16 lamps down, air craft cable hung four foot fixture 120v electronic ballast less than 20% total harmonic distortion.

OPTIONS

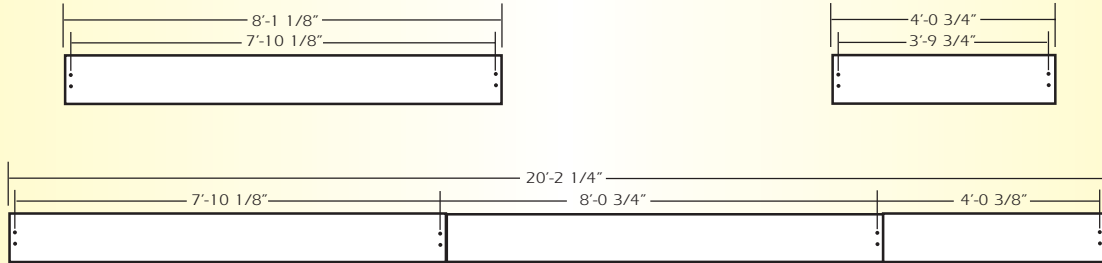
- E10=** Electronic ballast, high power factor, thermally protected class P, sound rated A, < 10% total harmonic distortion
- DIM=** Dimming Ballast
- EPC=** Emergency Battery Pack
- EMC=** Emergency Circuit
- TCW=** Two Circuit Wiring
- TDW=** Tandem Wiring
- OTH=** See Accessories for other options available

# Special Profiles

AD-VEC-418-DI

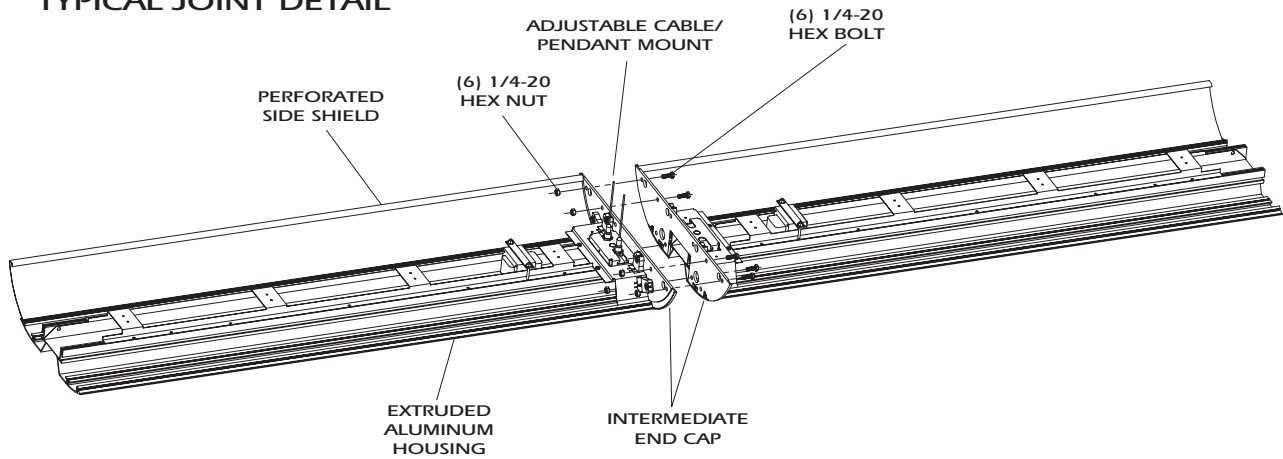
LINEAR SECTIONS AND SUSPENSION LOCATION

## SUSPENSION MOUNTING

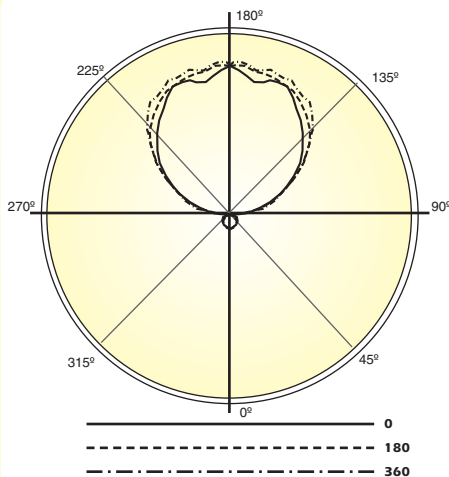


INSTALLATION PREPARATION

## TYPICAL JOINT DETAIL



PHOTOMETRY



### Candela Distribution:

Vert. Angle	0	90	180	270	360
0	252	252	252	252	252
10	181	232	242	248	237
20	199	215	212	218	238
30	188	200	202	197	194
40	167	167	169	177	171
50	137	142	166	181	171
60	117	109	135	150	163
70	81.4	83.4	104	131	135
80	57.3	60.9	81.7	118	123
90	23.4	58.3	87.0	116	128
100	332	392	471	552	528
110	817	869	880	908	897
120	1248	1347	1345	1337	1360
130	1680	1716	1809	1844	1844
140	1988	2028	2157	2225	2280
150	2300	2348	2420	2496	2487
160	2515	2526	2550	2625	2632
170	2421	2641	2571	2636	2632
180	2653	2653	2653	2653	2653

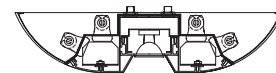
### Coefficients of Utilization - Zonal Cavity Method:

pfc = 0.20

	.8	.7	.5	.3	.1
pcc	.8	.7	.5	.3	.1
pw	.7 .5 .3 .1	.7 .5 .3 .1	.5 .3 .1	.5 .3 .1	.5 .3 .1
RCR	0	1	2	3	4
0	79 79 79 79	69 69 69 69	49 49 49	31 31 31	15 15 15
1	72 68 65 62	62 59 57 54	42 41 39	27 26 25	12 12 12
2	65 59 54 50	56 51 48 44	37 34 32	23 22 21	11 10 9
3	59 52 46 42	51 45 40 37	32 29 27	20 19 17	9 9 8
4	54 46 39 35	46 40 35 31	28 25 22	18 16 14	8 7 7
5	49 40 34 29	42 35 30 26	25 22 19	16 14 12	7 6 6
6	45 36 30 25	39 31 26 22	22 19 16	14 12 10	6 5 5
7	41 32 26 22	36 28 23 19	20 17 14	13 11 9	6 5 4
8	38 29 23 19	33 25 20 17	18 15 12	11 9 8	5 4 4
9	35 26 20 16	31 23 18 14	16 13 11	10 8 7	5 4 3
10	33 24 18 14	28 21 16 13	15 12 9	9 7 6	4 3 3

LAMP: (4) 32 W T8/U MR16/D  
LUMENS: 2900 PER LAMP

Optical Distribution:  
91% Indirect: 9% Direct



Total Luminaire Optical Efficiency = 81.4%

SCW-2