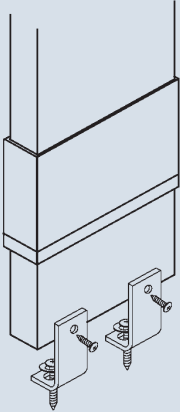
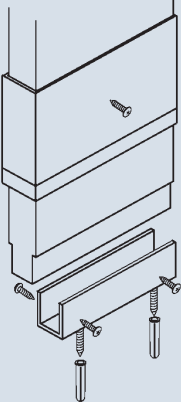
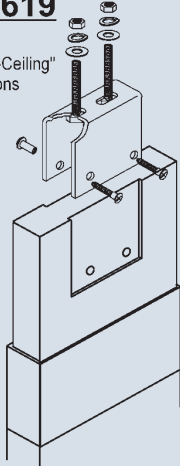
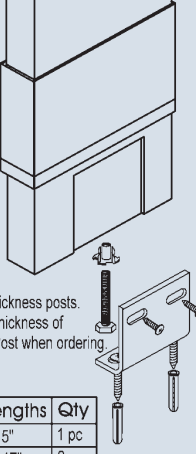
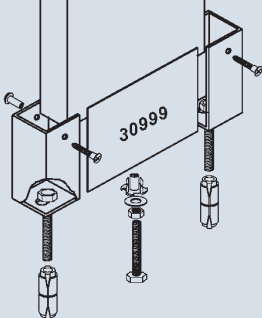
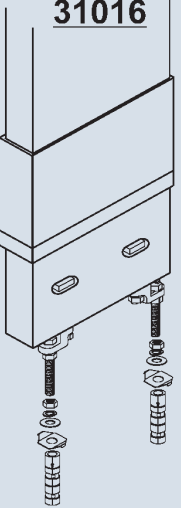
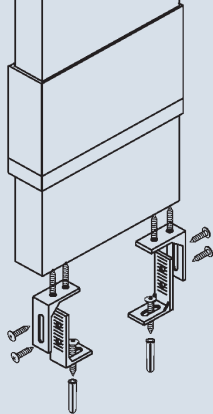
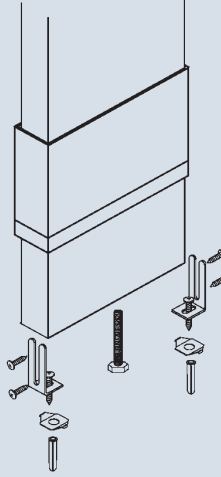
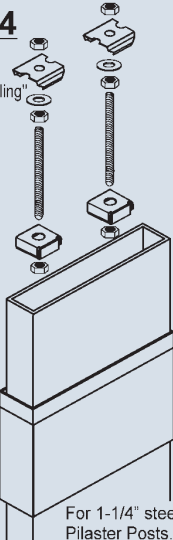
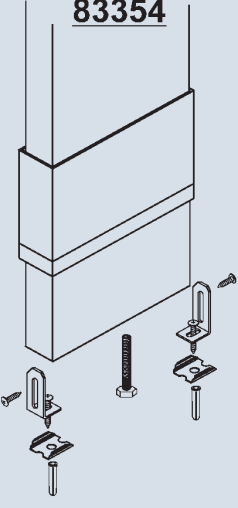
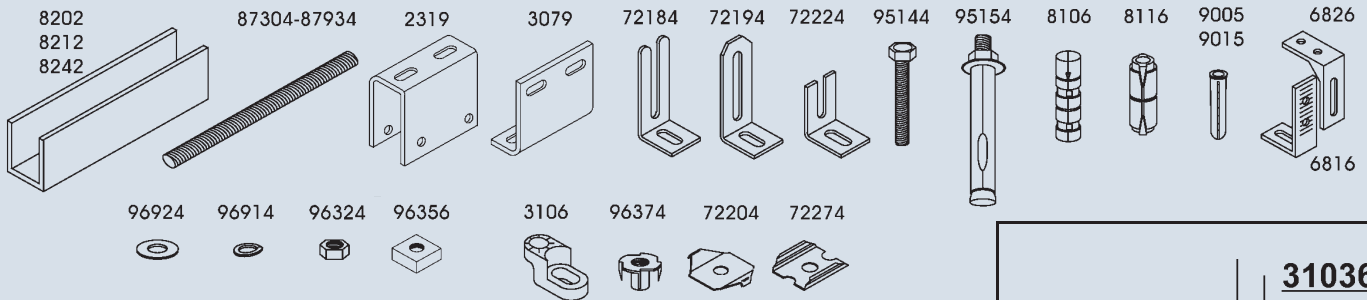


Pilaster Post Anchoring Packs & Devices

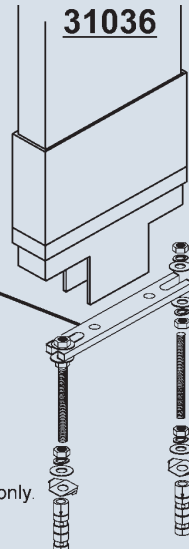
<p>30414</p>  <p>For 1" thick and larger Pilaster Posts.</p>	<p>30524,30544,30584</p>  <p>30524 For 1-1/4" X 2" to 4" posts. 30544 For 1-1/4" X 4" to 7" posts. 30584 For 1-1/4" X 8" and up.</p>	<p>30619</p>  <p>For all "Floor-to-Ceiling" Installations</p> <p>For all size posts. Specify thickness of Plaster Post when ordering.</p>	<p>30719</p>  <p>For all thickness posts. Specify thickness of Plaster Post when ordering.</p> <table border="1"> <thead> <tr> <th>Post Lengths</th> <th>Qty</th> </tr> </thead> <tbody> <tr> <td>3" - 5"</td> <td>1 pc</td> </tr> <tr> <td>6" - 17"</td> <td>2 pcs</td> </tr> <tr> <td>18" +</td> <td>3 pcs</td> </tr> </tbody> </table>	Post Lengths	Qty	3" - 5"	1 pc	6" - 17"	2 pcs	18" +	3 pcs	<p>30810</p>  <p>For 1-1/4" thick Pilaster Posts. *Stainless steel spacer plates must be ordered separately*</p> <p>30999</p> <p>Stainless steel spacer plates measures 3" X 10". Other lengths can be fabricated upon request.</p>
Post Lengths	Qty											
3" - 5"	1 pc											
6" - 17"	2 pcs											
18" +	3 pcs											
<p>31016</p>  <p>For 1-1/4" and 1-1/8" posts.</p>	<p>31056</p>  <p>For 3/4" thick and larger Pilaster Posts.</p>	<p>74030</p>  <p>For 1-1/4" and 1-1/8" posts.</p>	<p>83314</p>  <p>For all "Floor-to-Ceiling" Installations</p> <p>For 1-1/4" steel Pilaster Posts.</p>	<p>83354</p>  <p>For 1-1/4" and 1-1/8" posts.</p>								



PART #	DESCRIPTION
2319	U-Bracket 3/4" X-Long
3030	1-1/4" Pilaster Shoe (Use with #98334 Tube)
3040	1-3/4" Pilaster Shoe (Use with #98434 Tube)
3079	L-Bracket (3" x 3-1/4")
3080	1-1/4" Split Pilaster Shoe (1-Piece)
3106	Pilaster Foot
6000	1-1/4" x 3" Post Shoe
6816	Top L-Anchor for Plastic Laminate
6826	Bottom L-Anchor for Plastic Laminate
8106	3/8" Expansion Floor Anchor
8116	3/8" Double Expansion Floor Anchor
8202	1-1/4" x 4" Long Aluminum U-Channel
8212	1-1/4" x 8" Long Aluminum U-Channel
8242	1-1/4" x 2" Long Aluminum U-Channel
8503	1-1/4" Pilaster Anchor Bracket (12" - 14" Range)
8513	1-1/4" Pilaster Anchor Bracket-One Ear (12" - 14" Range)
9005	Plastic Anchor for #10 - 12 Screws
9015	Plastic Anchor for #12 - 14 Screws

30999	3" x 10" Spacer Plate (2-Pack) Used with #3080
72184	Pilaster Anchor Fork (Open)
72194	Pilaster Anchor Fork (Closed)
72204	Spring Clip
72224	Pilaster Anchoring Fork - 1/2 Height (Open)
72274	Spring Clip
85039	Threaded Tube for #8503 & 8513 (7-1/2" - 10" Range)
85049	Threaded Tube for #8503 & 8513 (9-1/2" - 12" Range)
87304	3/8-16 x 4" Threaded Rod - Zinc Plated
87334	3/8-16 x 6" Threaded Rod - Zinc Plated
87374	3/8-16 x 8" Threaded Rod - Zinc Plated
87394	3/8-16 x 10" Threaded Rod - Zinc Plated
96324	3/8-16 Hex Nut
96356	3/8-16 x 7/8" Square Nut
96374	3/8-16 4-Prong T-Nut
96914	3/8" Split Lock Washer
96924	3/8" Flat Washer

31036



PILASTER MOUNTING BARS	
Part #	Post Size
65039	3"
65049	4"
65059	5"
65069	6"
65079	7"
65089	8"
65099	9"
65109	10"
65129	12"

Consists of Fasteners only. Mounting Bars must be ordered separately.