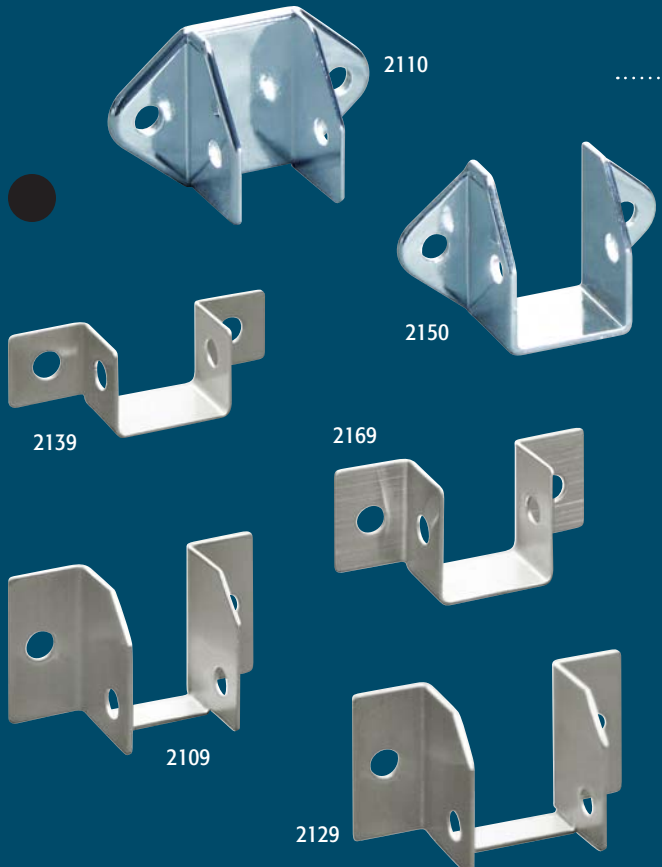
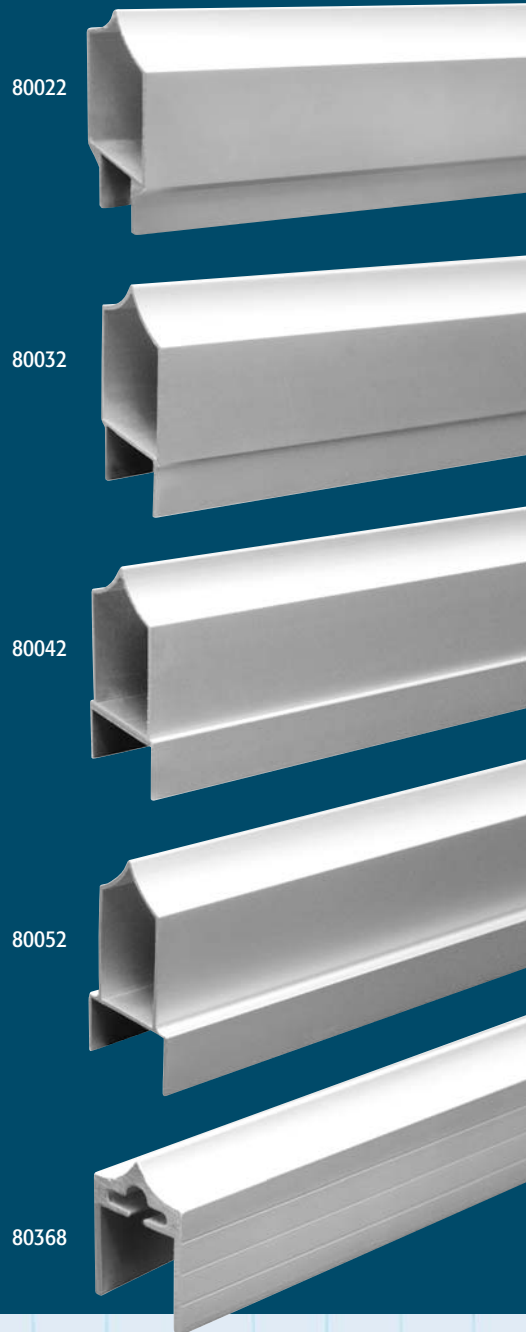


# Headrail & Headrail Brackets

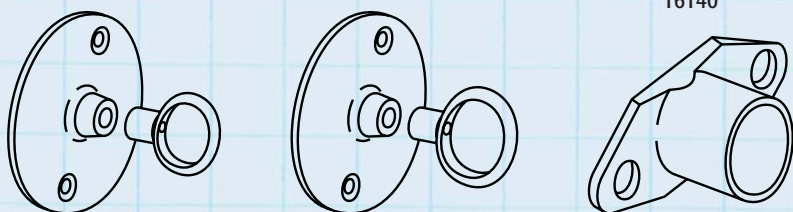
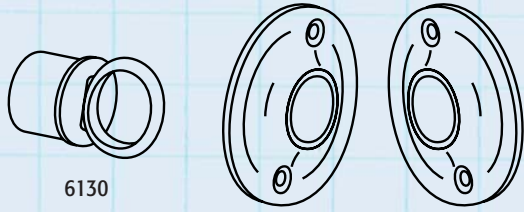


## EXTRUDED ALUMINUM HEADRAIL

POST SIZE	LENGTHS			
	62"	84"	8-1/2'	10'
1/2"			80022	80122
3/4"			80032	80132
1"			80042	80142
1-1/4"			80052	80152
3/4"				80188
1"	80268	80368		80168



POST SIZE	CHROME PLATED ZAMAC	ANODIZED ALUMINUM EXTRUSION	STAMPED STAINLESS STEEL	DESCRIPTION
<b>HEADRAIL CONNECTOR PACKS</b>				
3/4"		15762		Headrail Connector Pack (with Fasteners)
1"		15772		Headrail Connector Pack (with Fasteners)
1-1/4"		15782		Headrail Connector Pack (with Fasteners)
<b>HEADRAIL BRACKETS</b>				
1"	2110			Headrail Bracket (ASP)
1"			2139	Headrail Bracket (Mini)
1"	2150		2169	Headrail Bracket
1-1/4"	2170	2172 *	2179	Headrail Bracket * (Silver Painted)
3/4"			2109	For Headrail with Track
1"			2129	For Headrail with Track
1-1/4"			2579	For Headrail with Track



PAPER ROLL HOLDERS	
CHROME PLATED STEEL	DESCRIPTION
7359	Single Roll Paper Holder
207359	Single Roll (Case of 50)
7369	Double Roll Paper Holder
207369	Double Roll (Case of 25)
CURTAIN ROD FLANGES	
CHROME PLATED STEEL	DESCRIPTION
16120	3/4" Eye Loop Pack (with Fasteners)
16110	1" Eye Loop Pack (with Fasteners)
6220	1" End Flange
16140	1" Rod Holder Set (with Fasteners)
6130	1" Eye Loop (2 pc)