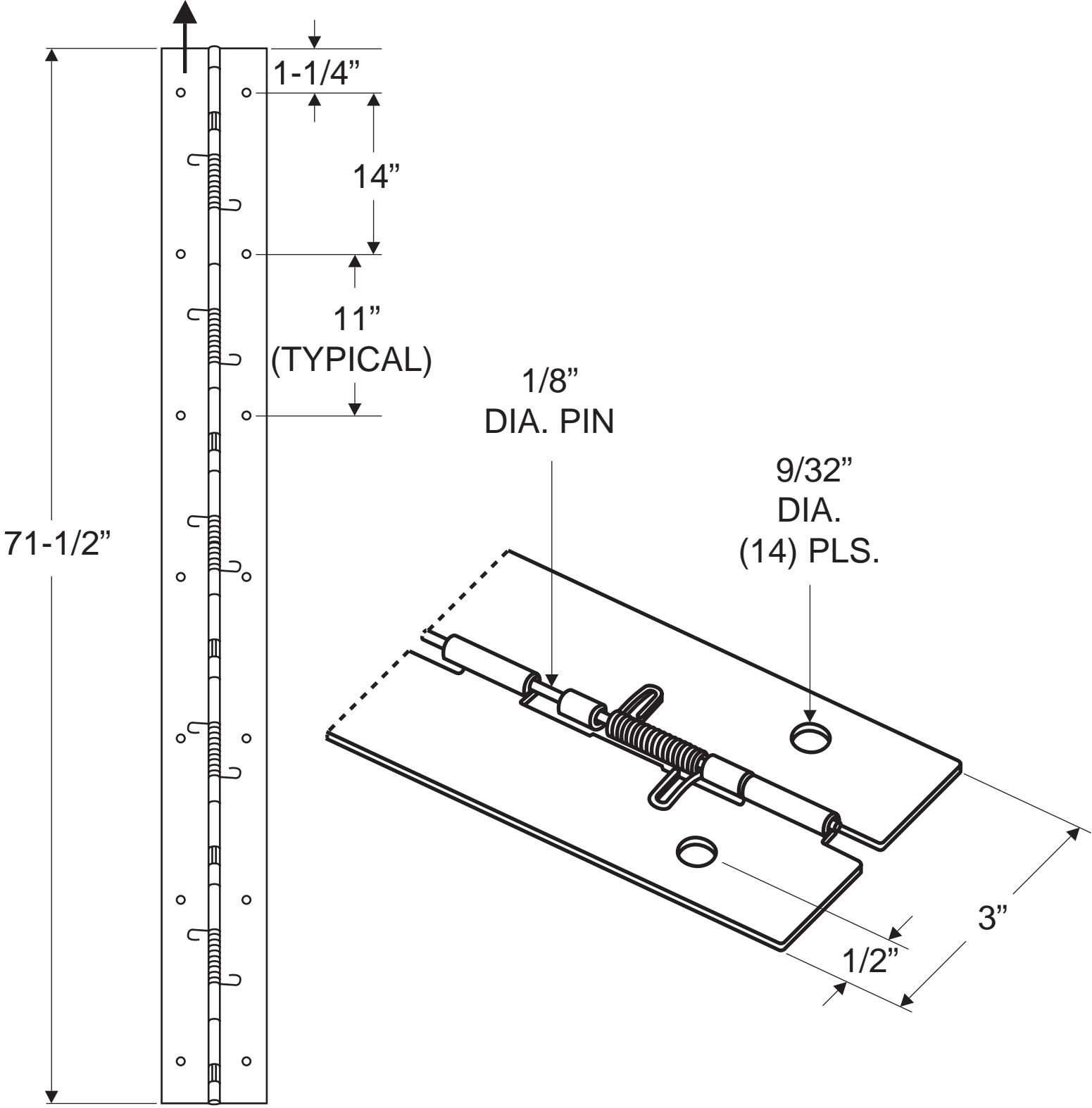


**7769
(PIANO HINGE - 71-1/2" SPRING CLOSE LH-IN/RH-OUT)**

THIS END
LIFTS UP



**NOTE: 16 GAUGE (.060" THICK STAINLESS)
5 SPRINGS**